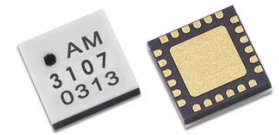


AM3107 – Filter Bank

Digitally Tunable 6.0 to 12.0 GHz Lowpass

Description

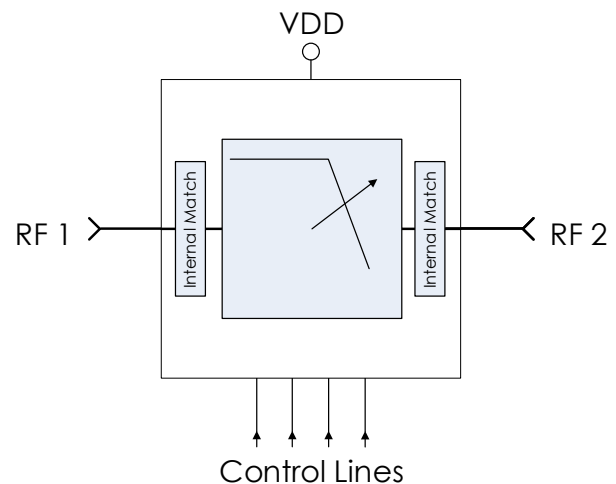
AM3107 is a miniature digitally tunable lowpass filter covering the 6.0 to 12.0 GHz frequency range. The filter provides 16 selectable lowpass cutoff states with 4 digital control bits. The tunable lowpass filter can be combined with one of Atlanta Micro's tunable highpass filters to provide a flexible tunable bandpass filter solution. AM3107 has internal 50Ω matching, is packaged in a 4mm QFN package, and operates over the -40C to +85C temperature range.



Features

- Discrete Low Pass Cutoff Steps
- 4-bit Control, 3V or 5V Logic
- +3.3V to +5V DC Supply
- 2.0 dB AVG Insertion Loss
- +43 dBm Input IP3
- 4mm QFN Package
- -40C to +85C Operation
- No Calibration Required

Functional Diagram



Characteristic Performance

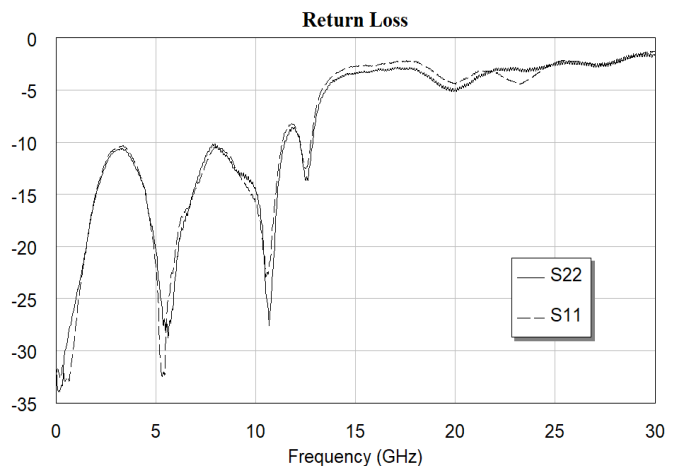
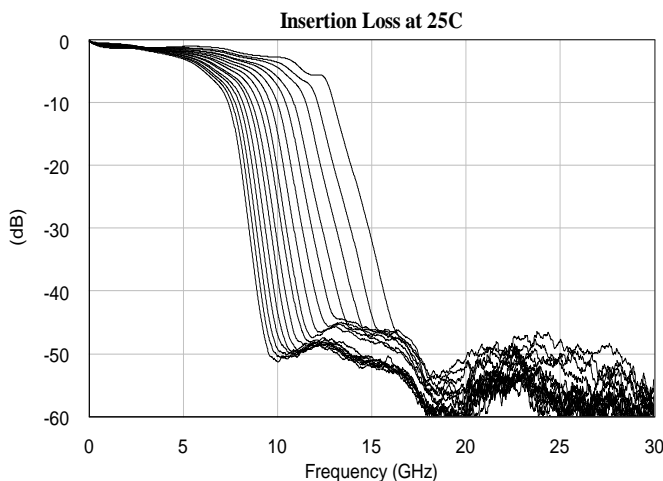


Table of Contents

Description	1	DC Electrical Characteristics.....	5
Features	1	RF Performance.....	5
Functional Diagram	1	Timing Characteristics	5
Characteristic Performance	1	State Table	6
Revision History	2	Typical Performance	7
Pin Layout and Definitions	3	Typical Application	8
Specifications	4	Package Details	9
Absolute Maximum Ratings.....	4	Evaluation PC Board	10
Handling Information.....	4	Related Parts	10
Recommended Operating Conditions ...	4	Component Compliance Information	11

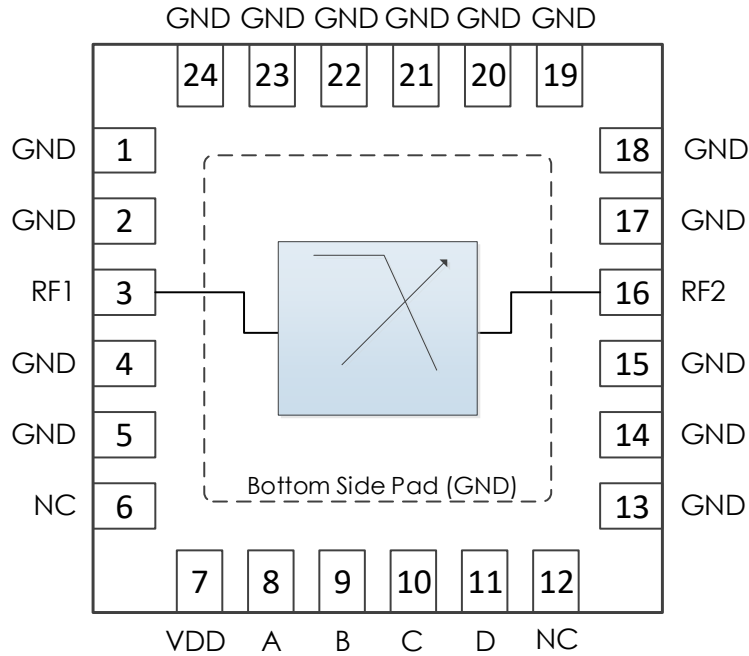
Revision History

Date	Revision Number	Notes
August 24, 2018	1	Initial Release

AM3107 – Filter Bank

Digitally Tunable 6.0 to 12.0 GHz Lowpass

Pin Layout and Definitions



Pin Number	Pin Name	Pin Function
1,2	GND	Ground – Common
3	RF1	RF Port 1 – 50 ohms – DC coupled. External DC blocking capacitor required*
4,5	GND	Ground - Common
6	NC	Do Not Connect
7	VDD	DC Power Input
8	A	Control Bit A
9	B	Control Bit B
10	C	Control Bit C
11	D	Control Bit D
12	NC	Do Not Connect
13-15	GND	Ground - Common
16	RF2	RF Port 2 – 50 ohms – DC coupled. External DC blocking capacitor required*
17-24	GND	Ground – Common
Case GND	GND	Ground – Common

***Note:** DC blocking caps not required if in series with other Atlanta Micro parts of the same reference voltage.

AM3107 – Filter Bank

Digitally Tunable 6.0 to 12.0 GHz Lowpass



Specifications

Absolute Maximum Ratings

	Minimum	Maximum
Supply Voltage	-0.3 V	+6.0 V
RF Input Power		+27 dBm
Operating Junction Temperature	-40 C	+150 C
Storage Temperature Range	-50 C	+150 C

Note: Any device operation beyond the Absolute Maximum Ratings may result in permanent damage to the device. The values listed in this table are extremes and do not imply functional operation of the device at these or any other conditions beyond what is listed under Recommended Operating Conditions. Any part subjected to conditions outside of what is recommended for an extended amount of time may suffer from reliability concerns.

Handling Information

	Minimum	Maximum
Storage Temperature Range (Recommended)	-50 C	+125 C
Moisture Sensitivity Level	MSL 1	



Atlanta Micro products are electrostatic sensitive.
Follow safe handling practices to avoid damage

Recommended Operating Conditions

	Minimum	Typical	Maximum
Supply Voltage	+2.7 V	+5.0 V	
Operating Case Temperature	-40 C		+85 C
Operating Junction Temperature	-40 C		+125 C

AM3107 – Filter Bank

Digitally Tunable 6.0 to 12.0 GHz Lowpass

DC Electrical Characteristics

(T = 25 °C unless otherwise specified)

Parameter	Testing Conditions	Minimum	Typical	Maximum
DC Supply Voltage		+2.7 V	+5.0 V	
DC Supply Current	VDD = +3.3 V	1 mA		2 mA
	VDD = +5.0 V	1 mA		2 mA
Power Dissipated	VDD = +3.3 V	3.3 mW		6.6 mW
	VDD = +5.0 V	5 mW		10 mW
Logic Level Low		-0.1 V		+0.5 V
Logic Level High		+2.0 V		+VDD

RF Performance

(T = 25 °C unless otherwise specified)

Parameter	Testing Conditions	Minimum	Typical	Maximum
Frequency Range		6.0 GHz		12.0 GHz
Insertion Loss	f = 10 MHz, ABCD = 1111		0.1 dB	
	f = 5 GHz, ABCD = 1111		1.0 dB	
	f = 12 GHz, ABCD = 1111		5.5 dB	
Return Loss	f = 10 MHz, ABCD = 1111		32.0 dB	
	f = 5 GHz, ABCD = 1111		21.8 dB	
	f = 12 GHz, ABCD = 1111		8.6 dB	
Input IP3	ABCD = 1111		+43 dBm	

Timing Characteristics

Parameter	Minimum	Typical	Maximum
Switching Speed		1 μ s	

AM3107 – Filter Bank

Digitally Tunable 6.0 to 12.0 GHz Lowpass



State Table

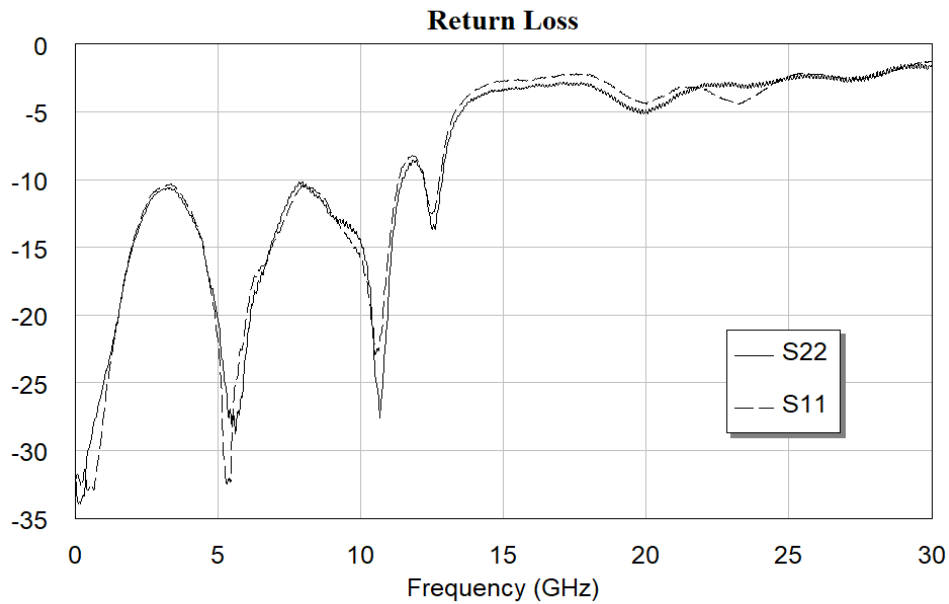
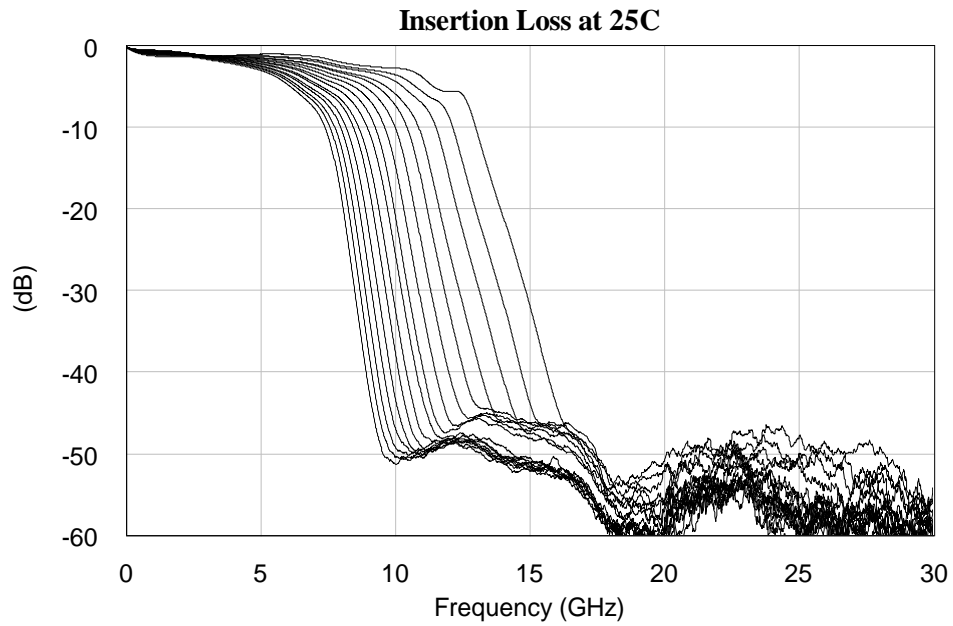
Control Lines				Typical Cutoff Frequency (GHz)
D	C	B	A	
L	L	L	L	5.84
L	L	L	H	6.04
L	L	H	L	6.11
L	L	H	H	6.34
L	H	L	L	6.52
L	H	L	H	6.69
L	H	H	L	6.79
L	H	H	H	7.14
H	L	L	L	7.71
H	L	L	H	8.19
H	L	H	L	8.88
H	L	H	H	9.47
H	H	L	L	9.96
H	H	L	H	10.66
H	H	H	L	11.36
H	H	H	H	12.52

AM3107 – Filter Bank

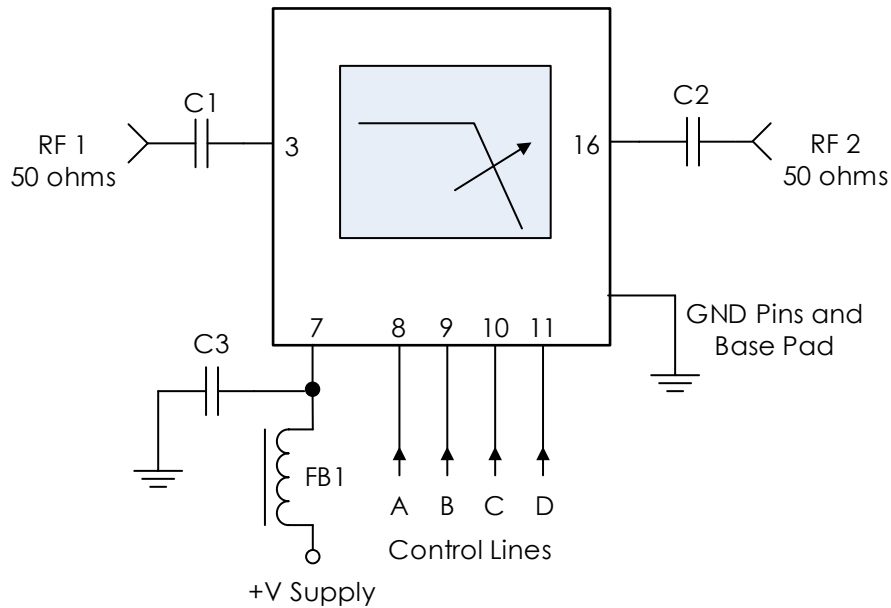
Digitally Tunable 6.0 to 12.0 GHz Lowpass



Typical Performance



Typical Application



Recommended Component List (or equivalent):

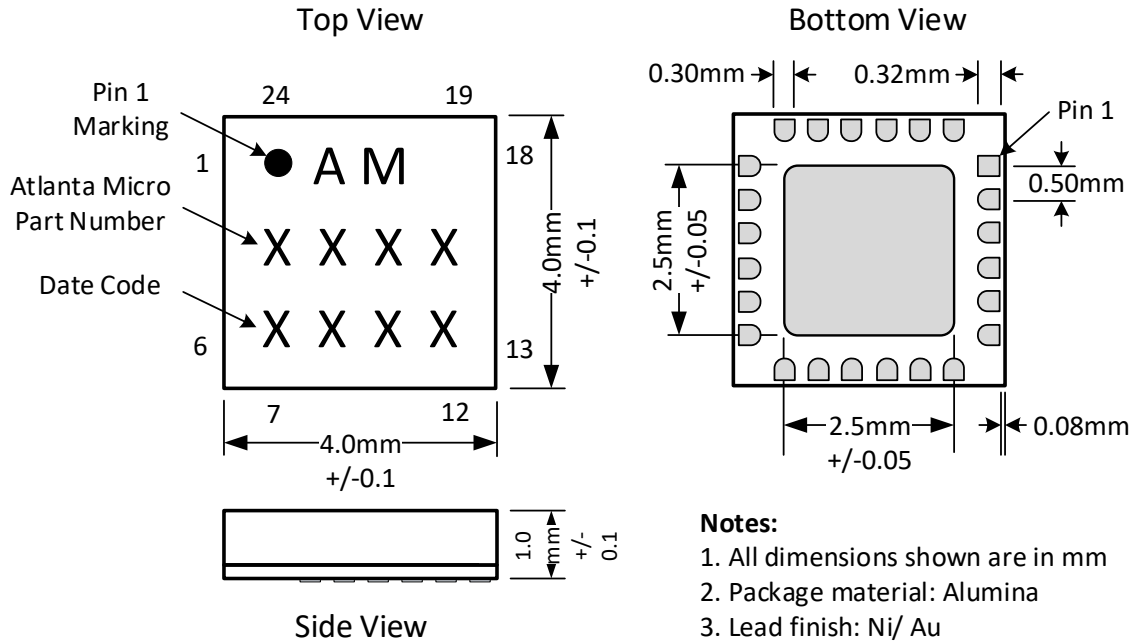
Part	Value	Part Number	Manufacturer
C1, C2	0.1 μ F	0201BB104KW160	Passives Plus
C3	0.1 μ F	C1005X7R1H104K050BB	TDK
FB1	-	MMZ1005A222E	TDK

Notes:

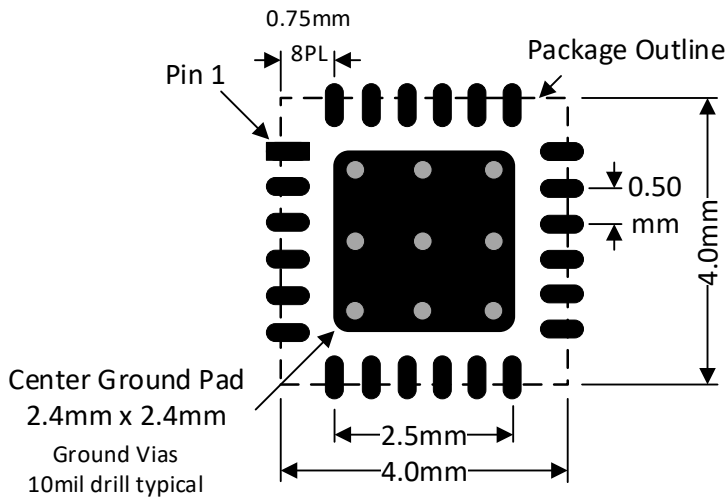
1. RF blocking capacitors should be high performance, low-loss, broadband capacitors for optimum performance.
2. RC filtering on the control lines is recommended to prevent digital noise from coupling to the RF path.
 - a. Select control line RC filter values based on desired logic source decoupling and switching speed.

Package Details

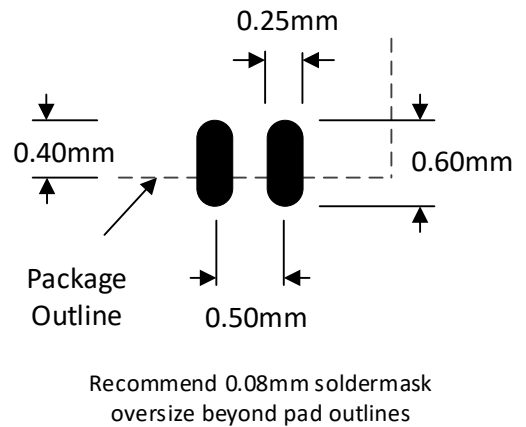
Package Drawing



Recommended Footprint



Pad and Spacing Detail

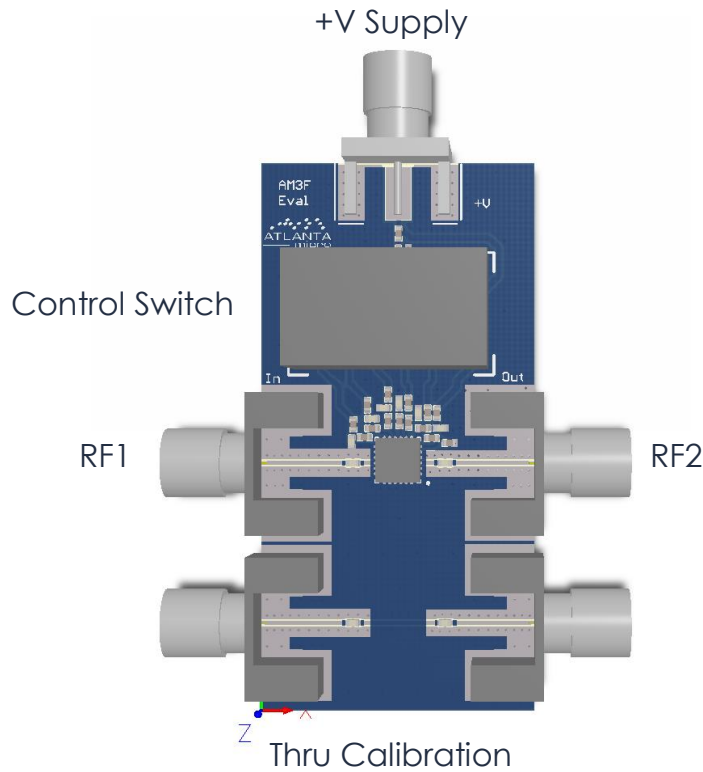


AM3107 – Filter Bank

Digitally Tunable 6.0 to 12.0 GHz Lowpass



Evaluation PC Board



Related Parts

Part Number	Description		
AM3030	3.5 GHz	to 6.5 GHz	Digitally Tunable Lowpass
AM3039	9 GHz	to 18 GHz	Digitally Tunable Lowpass
AM3110	18 GHz	to 26.5 GHz	Digitally Tunable Lowpass
AM3032	2.5 GHz	to 4.5 GHz	Digitally Tunable Highpass
AM3041	6 GHz	to 10 GHz	Digitally Tunable Highpass
AM3108	12.0 GHz	to 18.0 GHz	Digitally Tunable Highpass
AM3109	18 GHz	to 26.5 GHz	Digitally Tunable Highpass

Component Compliance Information

RoHS: Atlanta Micro, Inc. hereby certifies that all products comply with the EC Directive 2011/65/EC on the Restriction of Hazardous Substances, commonly known as RoHS II. All products supplied by Atlanta Micro shall be compliant with the European Directive 2011/65/EC based on the following substance list.

Substance List	Allowable Maximum Concentration
Lead (Pb)	<1000 PPM (0.1% by weight)
Mercury (Hg)	<1000 PPM (0.1% by weight)
Cadmium (Cd)	<75 PPM (0.0075% by weight)
Hexavalent Chromium (CrVI)	<1000 PPM (0.1% by weight)
Polybrominated Biphenyls (PBB)	<1000 PPM (0.1% by weight)
Polybrominated Diphenyl ethers (PBDE)	<1000 PPM (0.1% by weight)
Decabromodiphenyl Deca BDE	<1000 PPM (0.1% by weight)

REACH: Atlanta Micro, Inc. neither uses nor intentionally adds any of the substances considered to be a Substance of Very High Concern (SVHC) as defined by the EU Regulation (EC) No. 1907-2006 on Registration, Evaluation, Authorization, and Restriction of Chemicals (REACH).

Conflict Materials: Atlanta Micro does not knowingly use materials that are sourced from the Democratic Republic of Congo (DRC) or any other known conflict regions. Atlanta Micro's supply chain is comprised of sources that are both environmentally and socially responsible. We periodically review this requirement with our vendors to ensure continued compliance.

Atlanta Micro takes its responsibility as a global partner seriously and will use due diligence within our supply chain to ensure all standards are met to the best of our knowledge.