

FEATURES AND SPECIFICATIONS

molex® MINI-C Tee Adaptor

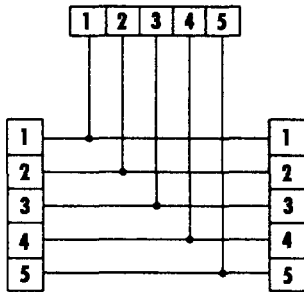
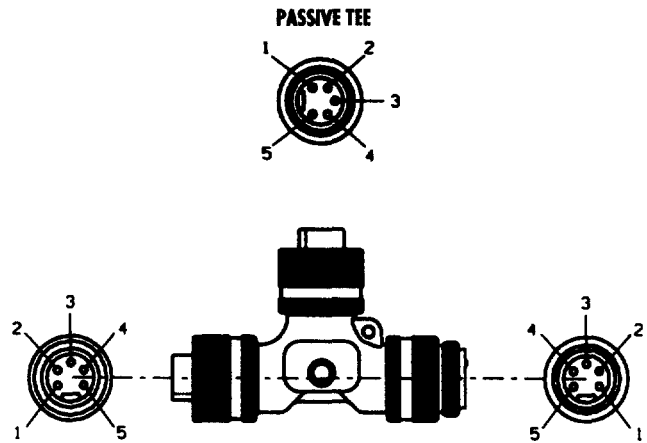
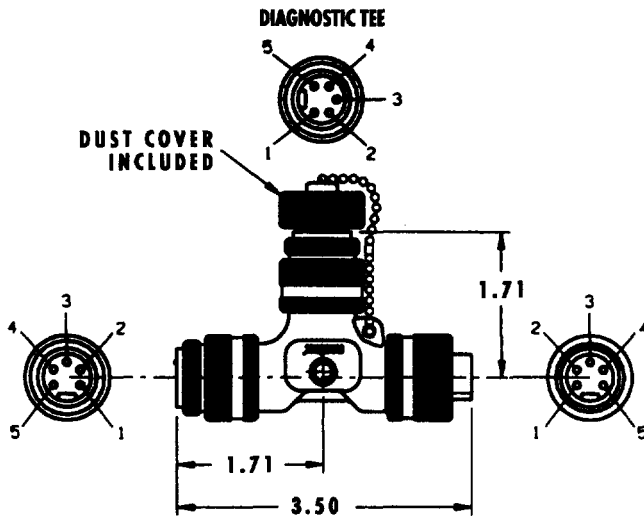
Features and Benefits

- Gold plated pin contacts
- Gold plated socket contacts with stainless steel hood
- Anodized aluminum coupling rings - stainless steel coupling rings are available
- Current rating 8 AMPS
- O-ring seal provides NEMA 6P and IP67 rating
- Spring loaded coupling ring for improved vibration resistance
- Diagnostic tee includes dust cover to cap connection when not in use

The tee adaptor is typically used in the trunk line of a bus system to accommodate drop or branch to a sensor, switch, or other device.

ORDERING INFORMATION AND DIMENSIONS

Gold Tee 84854



Order No.	Description
84854-9514	Diagnostic
84854-9513	Passive