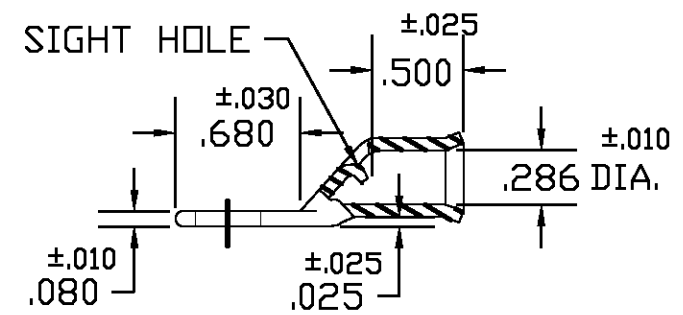
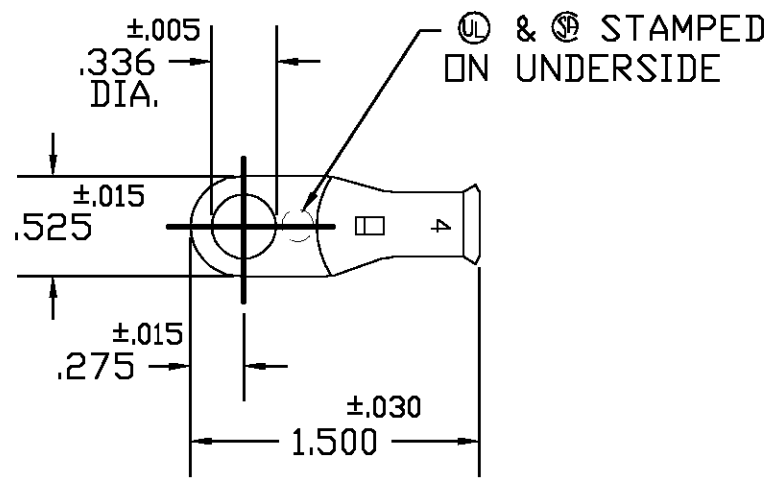


THIS DRAWING IS UNPUBLISHED. RELEASED FOR PUBLICATION
 © COPYRIGHT BY TYCO ELECTRONICS CORPORATION. ALL RIGHTS RESERVED.

LOC	DIST	REVISIONS			
P	LTR	DESCRIPTION	DATE	DWN	APVD
G	50	B	REV PER 0G61-0079-02	10DEC02	JR MS



ACTIVE	4561-03-R	SMALL PACK	TIN PLATE	8-1526236-2
ACTIVE	4561-03	STANDARD	TIN PLATE	1526236-2
ACTIVE	4561-02	STANDARD	PLAIN	1526236-1
STATUS	AET P/N	PACKAGING	FINISH	PART NUMBER

THIS DRAWING IS A CONTROLLED DOCUMENT.		DWN D.A.A 10/17/00	Tyco Electronics Corporation Harrisburg, PA 17105-3608	
DIMENSIONS: INCHES		CHK H.D.F 10/17/00	NAME 4A STANDARD TERMINAL W/SIGHT HOLE	
TOLERANCES UNLESS OTHERWISE SPECIFIED: 0 PLC ± - 1 PLC ± - 2 PLC ± - 3 PLC ± - 4 PLC ± - ANGLES ± -		APVD H.D.F 10/17/00	PRODUCT SPEC -	
MATERIAL COPPER ASTM B-152		FINISH -	APPLICATION SPEC -	RESTRICTED TO -
		WEIGHT -	SIZE A3	CAGE CODE 00779
		DRAWING NO 1526236		REV B
		CUSTOMER DRAWING		SCALE 1:1
		SHEET 1 OF 1		