

RED INDICATES ORIGINAL

DATA CONTAINED IN THIS DOCUMENT IS PROPRIETARY TO TROMPETER ELECTRONICS INC. AND SHALL NOT BE DISCLOSED, COPIED OR USED FOR PROCUREMENT OR MANUFACTURE WITHOUT EXPRESS WRITTEN PERMISSION.

REV		ECO	DESCRIPTION	305-1369		SH
A			PRODUCTION RELEASE	DWN	APPROVED	DATE
				R L		

DASH NO	CONNECTOR TYPE	MATERIAL	ASSEMBLE PER	FIG
-1	PL75	310-0002-14	TAI-129	1A
-2	CJ70	3-0043-14		2A
-3	PL375	315-0011-14		1B
-4	CJ370	3-0066-14		2B
-5	PL74	310-0025-14		3A
-6	CJ70TL	3-0217-14		4A
-7	PL75FL	310-0006-14		3B
-8	CJ70FL	3-0101-14		4B
-9	PL73	310-0038-14		5

FIG 1

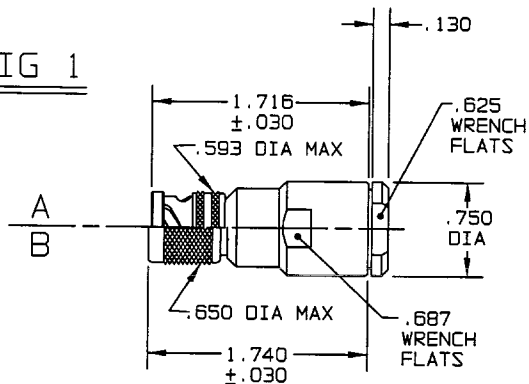


FIG 2

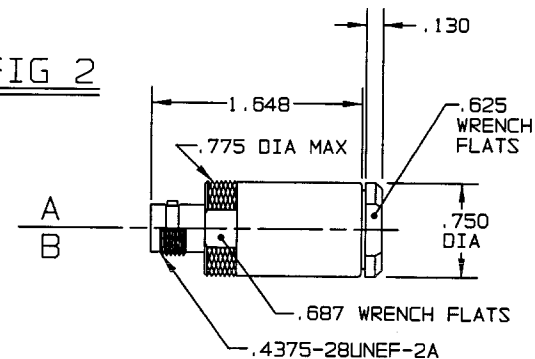


FIG 3

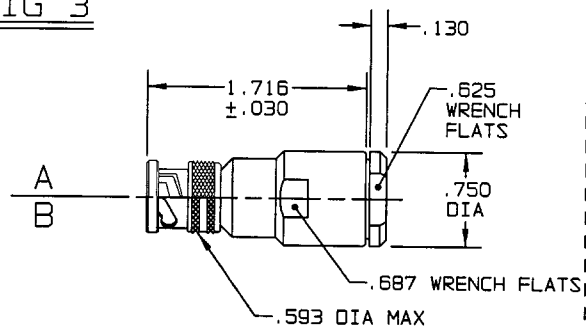


FIG 4

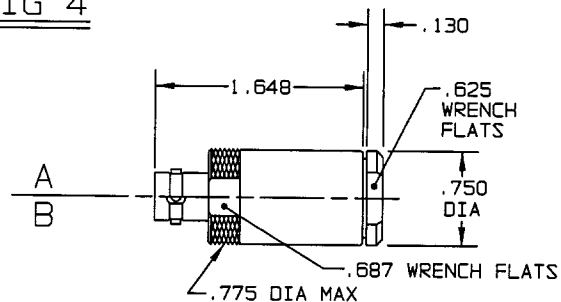
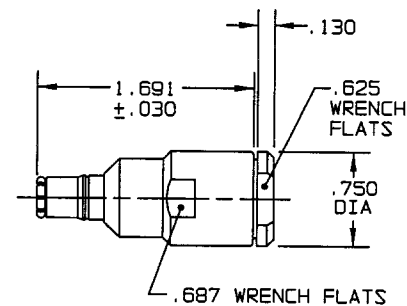


FIG 5



4. REPLACE CONE 8-1614-14 WITH CONE 105-1157-104

3. CONCENTRIC TWINAX / TRIAX, 2-LUG, 3-LUG, 4-LUG & THREADED CABLE PLUG / RECEPTACLE & PUSH-ON CABLE PLUG FOR CABLE 6322493

2. FINISH: TFS-1A (NICKEL)

1. ALL DIM ARE IN INCHES

QTY	DESCRIPTION		PART NUMBER	ITEM
TOL UNLESS SPECIFIED	.xx ±		TROMPETER ELECTRONICS, INC.	"70" SERIES LARGE BODY- 6322493
	.xxx ± .005			
	.xxxx ±			
	ANGLES ±			
DWN	R L	10/1/99	MATERIAL	CODE IDENT
CHK		10-9-99		14949
ENGR			DRAWING NO.	REV
			305-1369	A
NEXT ASSY	APPR	10-9-99	SCALE	DATE
				10/1/99
				SHEET