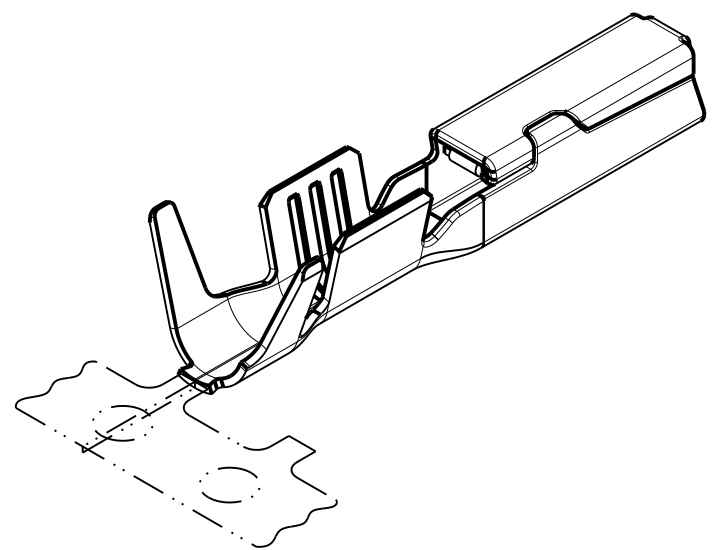
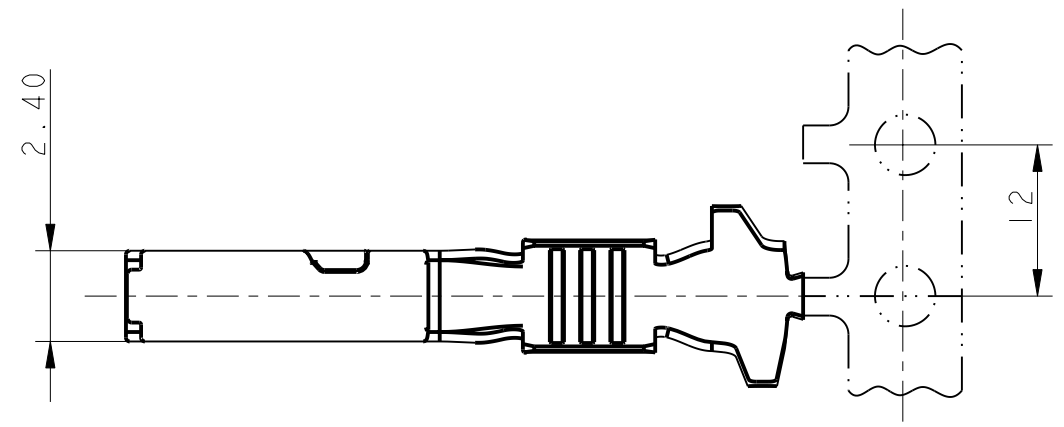
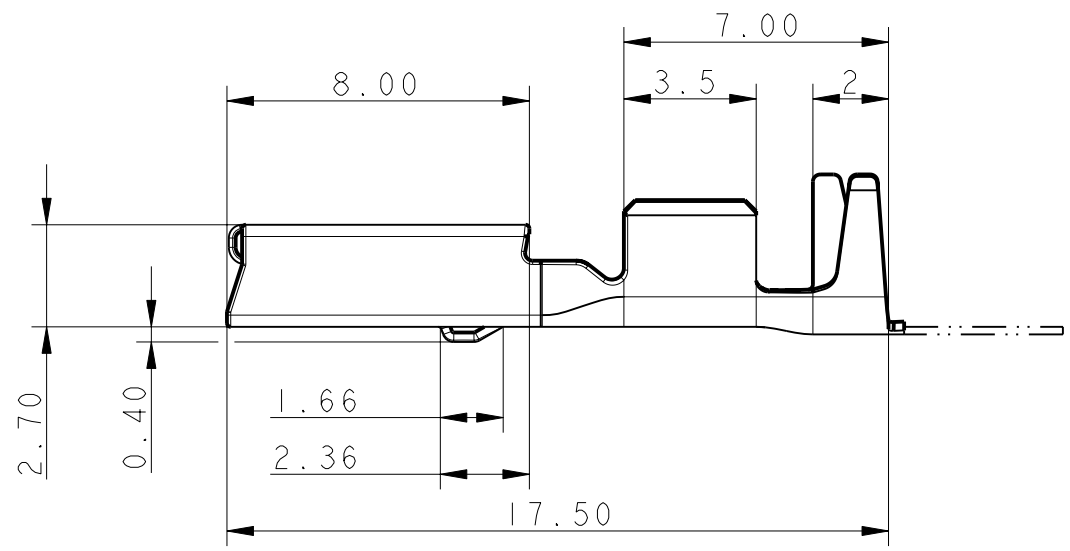





F  
E  
D  
C  
B  
A

8 7 6 5 4 3 2 1



DO NOT SCALE DRAWING	 <a href="http://www.fciconnect.com">www.fciconnect.com</a>	 ISO PROJECTION SCALE 5:1
TITLE		DIMENSION IN MILLIMETERS DWG SIZE A3
GTS2 1.5 X 0.8 FEMALE TERMINAL		CATALOG NUMBER --  SHEET dr

THIS DRAWING AND ALL OTHER INFORMATION CONTAINED THEREIN IS PROPRIETARY AND THE PROPERTY OF FCI. This drawing may not be copied, reproduced or disclosed to any third party without the expressed written permission of FCI. © FCI April 1999

8 7 6 5 4 3 2 1

**Direct Links** ...

- Cross Reference
- RoHS/LF P/N search
- Document & Drawing search
- Application tooling

**Services** ...

- Contact us
- Distributor list
- Pricing request
- Order samples

**Literature** ...

- Brochures & catalogs
- Product documentation
- Technical library

Start > Search=PPI0001483\* > **PPI0001483**

**PPI0001483**



**PPI0001483**

**GTS-2 female 1.5 mm terminal**

ACTIVE

Customer Drawing

Automotive division

[Assistant](#) [Add to Favorites](#)

[Email Datasheet](#)  [Print Datasheet](#)

**FCI Brings You More**

- [Contact our sales/technical support](#)
- [Sample request](#)
- [Price request](#)

**Specifications**

General Dimensional Electrical Mechanical Physical Environmental **Other Features**

**General**

Product Type	Terminal System
Terminal size (in mm)	1.5
Family	GTS-2
Features	Low Contact Mating Force Suitable for Secondary Lock High Current Carrying Capacity One Piece Construction

**Dimensional**

Contact Pitch	3.5 mm
<b>Electrical</b>	
Current Carrying Capacity at 23°C	19A
Current Carrying Capacity at 85°C	13A
Current Carrying Capacity at 100°C	10A
Current Carrying Capacity at 125°C	4A
Maximum Insulation (in mm)	2.2
Resistance (Contact)	< 4
<b>Mechanical</b>	
Range of Wire Gauge Min - Max	1 - 1.25 mm <sup>2</sup>
Contact mating force	< 6N
Single Wire Seal Compatible	Compatible
Contact unmating force	< 4N
<b>Physical</b>	
Plating	Sn
Material	CuNi1Si
<b>Environmental</b>	
IMDS	No
<b>Other Features</b>	
Type	Female
Disclaimer	Displayed data is for information purposes only. For more information, please contact your local sales office. The supply of some products might be limited to some customers.

**Direct Links** ...

- Cross Reference
- RoHS/LF P/N search
- Document & Drawing search
- Application tooling

**Services** ...

- Contact us
- Distributor list
- Pricing request
- Order samples

**Literature** ...

- Brochures & catalogs
- Product documentation
- Technical library

Start > Search=PPI0001484\* > **PPI0001484**

**PPI0001484**

[Assistant](#) [Add to Favorites](#)



**PPI0001484**

**GTS-2 female 1.5 mm terminal**

**ACTIVE**

[Customer Drawing](#)

**Automotive division**

[Email Datasheet](#)  [Print Datasheet](#)

**FCI Brings You More**

- [Contact our sales/technical support](#)
- [Sample request](#)
- [Price request](#)

**Specifications**

General Dimensional Electrical Mechanical Physical Environmental **Other Features**

**General**

Product Type	Terminal System
Terminal size (in mm)	1.5
Family	GTS-2
Features	Low Contact Mating Force Suitable for Secondary Lock High Current Carrying Capacity One Piece Construction

**Dimensional**

Contact Pitch	3.5 mm
<b>Electrical</b>	
Current Carrying Capacity at 23°C	19A
Current Carrying Capacity at 85°C	13A
Current Carrying Capacity at 100°C	10A
Current Carrying Capacity at 125°C	4A
Maximum Insulation (in mm)	2.8
Resistance (Contact)	< 4
<b>Mechanical</b>	
Range of Wire Gauge Min - Max	1.4 - 2 mm <sup>2</sup>
Contact mating force	< 6N
Single Wire Seal Compatible	Compatible
Contact unmating force	< 4N
<b>Physical</b>	
Plating	Sn
Material	CuNi1Si
<b>Environmental</b>	
IMDS	No
<b>Other Features</b>	
Type	Female
Disclaimer	Displayed data is for information purposes only. For more information, please contact your local sales office. The supply of some products might be limited to some customers.

Start > Search=PPI0001580\* > **PPI0001580**

**PPI0001580**

[Assistant](#) [Add to Favorites](#)

**Direct Links**

- Cross Reference
- RoHS/LF P/N search
- Document & Drawing search
- Application tooling

**Services**

- Contact us
- Distributor list
- Pricing request
- Order samples

**Literature**

- Brochures & catalogs
- Product documentation
- Technical library



**PPI0001580**

**GTS-2 female 1.5 mm terminal**

**ACTIVE**

[Customer Drawing](#)

**Automotive division**

[Email Datasheet](#)  [Print Datasheet](#)

**FCI Brings You More**

- [Contact our sales/technical support](#)
- [Sample request](#)
- [Price request](#)

**Specifications**

General Dimensional Electrical Mechanical Physical Environmental **Other Features**

**General**

Product Type	Terminal System
Terminal size (in mm)	1.5
Family	GTS-2
Features	Low Contact Mating Force Suitable for Secondary Lock High Current Carrying Capacity One Piece Construction

**Dimensional**

Contact Pitch	3.5 mm
<b>Electrical</b>	
Current Carrying Capacity at 23°C	19A
Current Carrying Capacity at 85°C	13A
Current Carrying Capacity at 100°C	10A
Current Carrying Capacity at 125°C	4A
Maximum Insulation (in mm)	1.9
Resistance (Contact)	< 4
<b>Mechanical</b>	
Range of Wire Gauge Min - Max	0.35 - 0.85 mm <sup>2</sup>
Contact mating force	< 6N
Single Wire Seal Compatible	Compatible
Contact unmating force	< 4N
<b>Physical</b>	
Plating	Sn
Material	CuNi1Si
<b>Environmental</b>	
IMDS	No
<b>Other Features</b>	
Type	Female
Disclaimer	Displayed data is for information purposes only. For more information, please contact your local sales office. The supply of some products might be limited to some customers.