

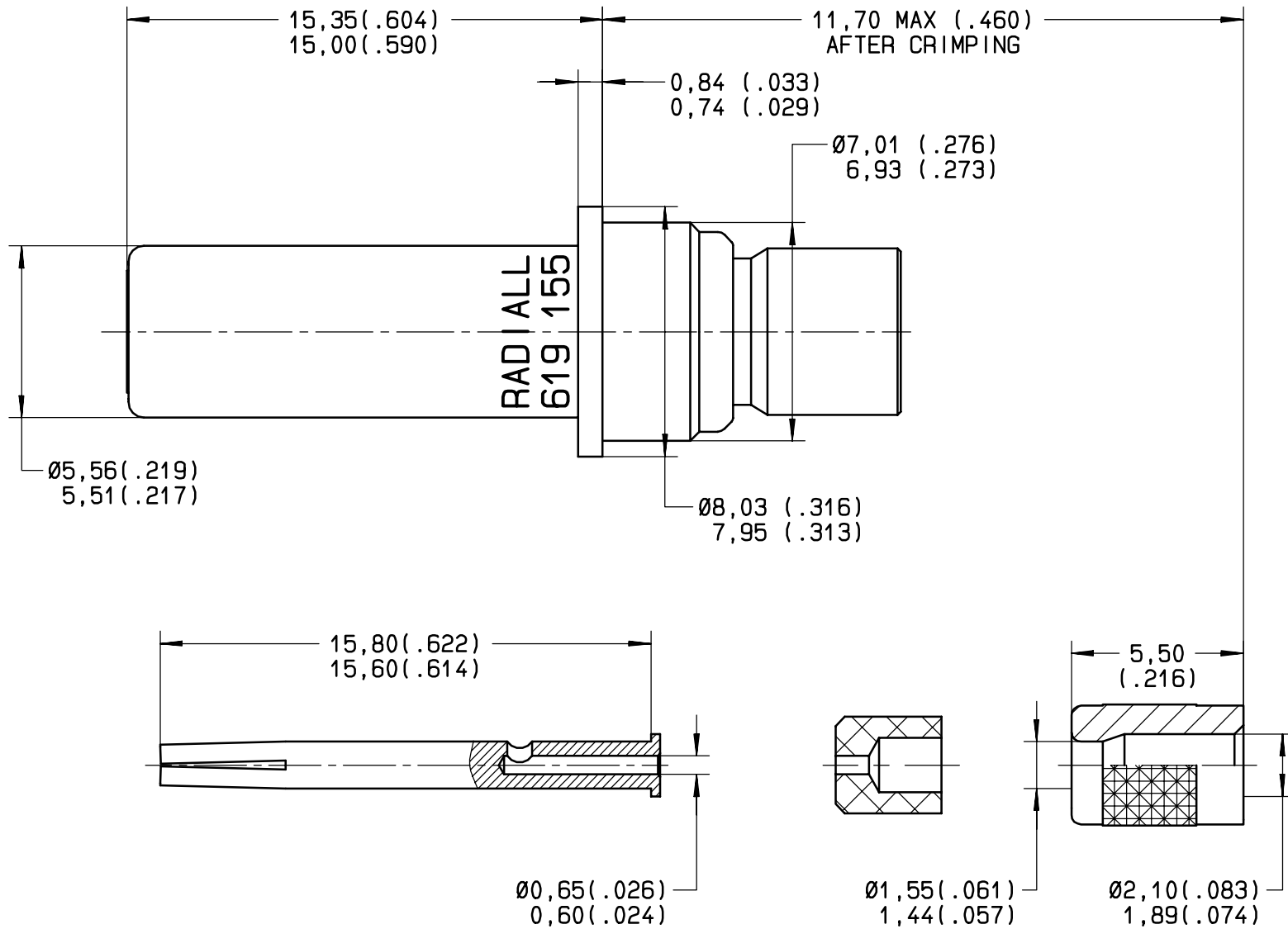


Series
BPX

SIZE 8 CRIMP COAX PIN CONTACT
FOR RG178, KX21 AND ASNE0633WG CABLES

Issue:
22 MAY 2003

Page
1 / 1



MATERIAL:

OUTER CONTACT: BRASS PER QQ-B-626
CENTER CONTACT: BERYLLIUM COPPER PER ASTM-B-196
FERRULE: BRASS PER QQ-B-626
DIELECTRIC: TPFE PER ASTM-D-1710 OR EQUIVALENT

FINISH:

ALL METAL PARTS: GOLD PER MIL-G-45204 TYPE I OR II, GRADE C OR D, CLASS 1 OVER NICKEL PER QQ-N-290

DESIGN REQUIREMENT

TEMPERATURE RANGE: -65°C +125°C
IMPEDANCE: 50Ω NOMINAL
RATED VOLTAGE AT SEA LEVEL: 325 V RMS AT SEA LEVEL
DIELECTRIC WITHSTANDING VOLTAGE: 750 V RMS AT SEA LEVEL
FREQUENCY RANGE: 0 TO 500MHz
VSWR: 1.30/1

TOOLING:

CENTER CONTACT: CRIMPING TOOL M22520/2-01 (RADIALL 282281)
POSITIONER 282587 (DANIELS K1025-S)
FERRULE: CRIMPING TOOL M22520/5-01 (RADIALL 282293)
DIE M22520/5-05 (RADIALL 282246)
HEX B 4,50 (.178) / FLATS

EXTRACTION TOOL: M81969/28-03 (RADIALL 282549001)

WIRING INSTRUCTIONS: SEE RP55626

This information is given as an indication. In the continual goal to improve our products, we reserve the right to make any modifications judged necessary.

4112-9610

CREATION
PEN:
NOM: MACARI	22 MAY 03	UPDATED DESIGN REQUIREMENT	DUPUIS	LAHOREAU
DATE: 03 JULY 01	13 DEC.01	UPDATED	MACARI	DUPUIS
APPR.: DUPUIS	08 AUG.01	619 155 WAS RP55622	MACARI	DUPUIS
	Issue	Revisions	Name	Approved