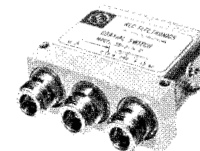


Standard Coaxial Switches



This RLC Electronics' Standard Size Coaxial Switch is a single pole, two position type providing extremely high reliability, long life and excellent electrical performance characteristics over the

frequency range of DC-12.4 GHz. The package utilizes high density packaging techniques, hence the overall volume of the switch is less than 6 cubic inches.

Specifications

S¹⁻²-2-3-4-5-6-7

Switch Type	SINGLE POLE TWO POSITION	
Frequency Range	DC-12.4 GHz	
Frequency	DC-7.0	7.0 - 12.4
Insertion Loss (Max dB)	0.3	0.6
VSWR (Max)	1.25	1.6
Isolation (dB Min)	60	55

Power Rating, RF Cold Switching: See page 5.

Impedance: 50 Ohms/75 Ohms*

Operating Power 25°C:

(Failsafe): 12Vdc at 575 ma nom.

28Vdc at 200 ma nom.

115 Vac at 76 ma nom.

(Latching): 12 Vdc at 1 amp nom.

28 Vdc at 430 ma nom. 115 Vac at 30 ma nom.

Current applied 10 ms min. cutthroat circuitry (standard), recovery time 100 ms nom.

Connectors, RF: N, SMA, TNC, BNC * Female

Connectors, Power: Feed through solder lugs.

Life: 1,000,000 operations.

Switching Time: 20 mS Max.

Weight: 9 oz.

Environmental Conditions: MIL-S-3928

Operating Mode: Manual, failsafe or latching.

Switching Sequence: Break before make.

*BNC not recommended for use above 1GHz.

*TNC not recommended for use above 12.4 GHz.

*75 ohm up to 3 GHz.

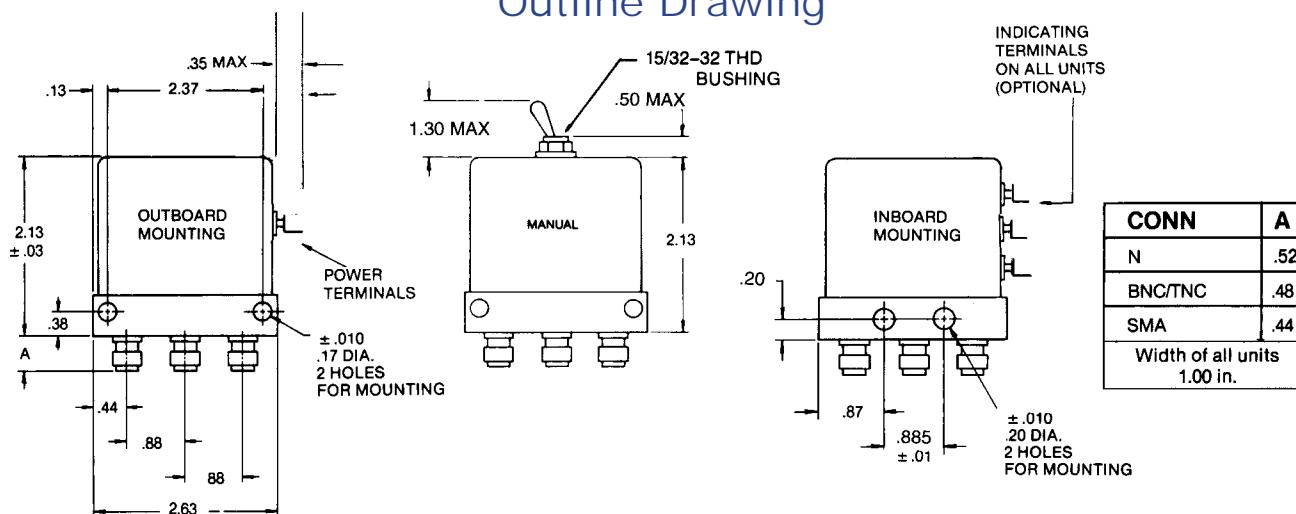
To designate the switch desired use:

- (1) "M" for Manual, "R" for Remote.
- (2) "in" for inboard mountings, if desired.
- (3) "B" for BNC, "T" for TNC, "N" or "R" for SMA connector types

- (4) "A" for 115 Vac, "D" for 28 Vdc or "H" for 12 Vdc.
- (5) "I" for indicators if desired.
- (6) "L" for latching cutthroat if desired.
- (7) "TL" for TTL Driver if desired

Example: SR-2-R-D-I is a remote operation, outboard mountings, SMA connectors, 28 Vdc; with indicators, failsafe operation switch 50 ohms for 75 ohms SR75-2- - -

Outline Drawing



Contact factory for terminal location.

Tolerances unless otherwise specified are: .xx, ± .02; .xxx, ± .005.

