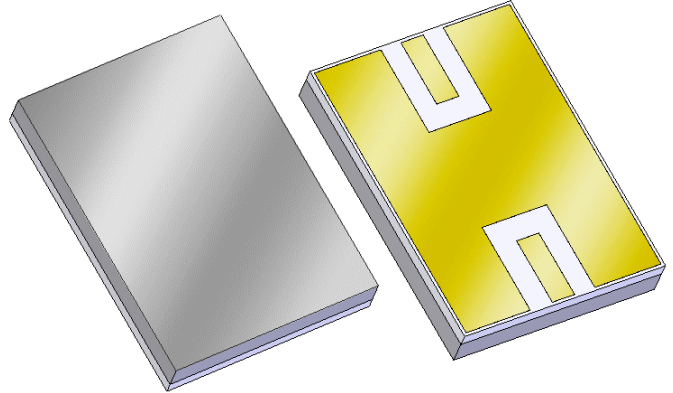


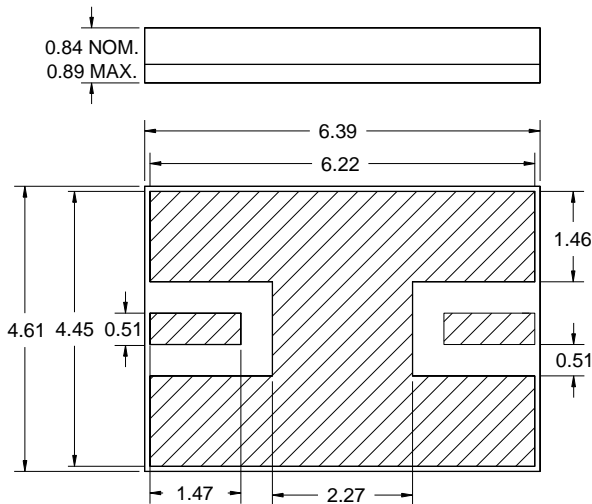
Features

- Usable bandwidth of 15 MHz
- Single-ended operation
- Ceramic Surface Mount Package
- Hermetic



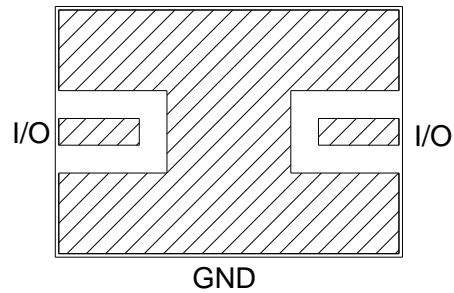
Package

Surface Mount 6.39 x 4.61 x 0.84 mm



Pin Configuration

Bottom View



Pin No.	Description
I/O	Input/Output
GND	Ground

Overall width, length, and thickness are the only critical dimensions. All other dimensions are for reference only.

Dimensions shown are nominal in millimeters
All tolerances are $\pm 0.13\text{mm}$ except overall length and width $\pm 0.25\text{mm}$

Body: *Sapphire*
Package: *Alumina*
Terminations: *Au* plating 0.5 - 2.5 μm ,
over a 2.0 – 6.0 μm *Ni* plating

Electrical Specifications ⁽¹⁾

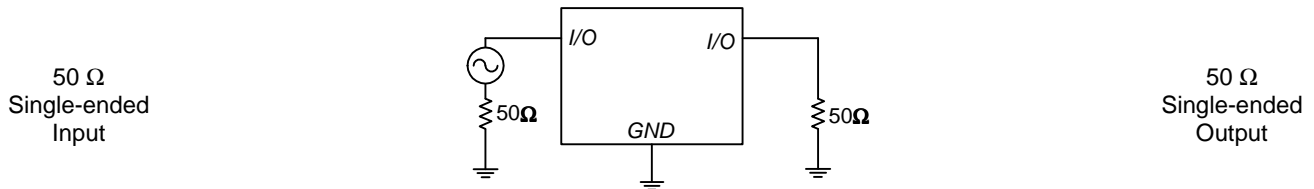
Operating Temperature Range: ⁽²⁾ -40 to +85 °C

Parameter ⁽³⁾	Minimum	Typical	Maximum	Unit
Center Frequency	955	960	965	MHz
Insertion Loss @ Fo	-	2.8	4.5	dB
3 dB Bandwidth ⁽⁴⁾	15	19	-	MHz
40 dB Lower Frequency Edge	920	-	-	MHz
40 dB Upper Frequency Edge	-	-	1000	MHz
VSWR @ Fo	-	1.6	2:1	
Source Impedance	-	50	-	Ω
Load Impedance	-	50	-	Ω

Notes:

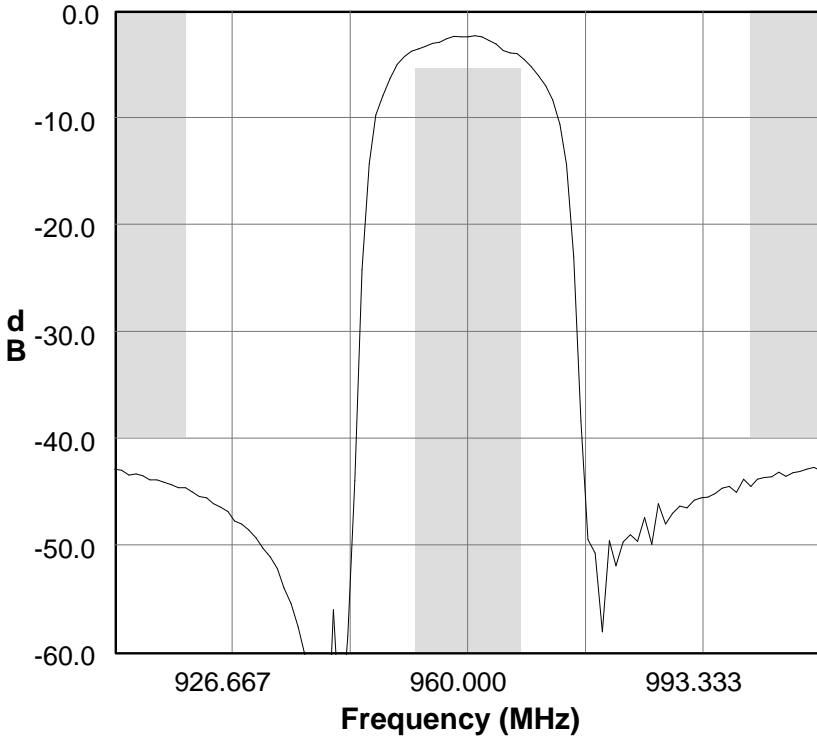
1. All specifications are based on the test circuit shown below
2. In production, devices will be tested at room temperature to a guardbanded specification to ensure electrical compliance over temperature
3. Electrical margin has been built into the design to account for the variations due to temperature drift and manufacturing tolerances
4. Referenced to the insertion loss at center frequency

Test Circuit:

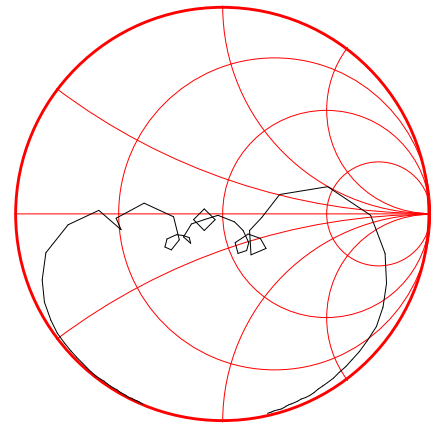


Typical Performance (at +25°C)

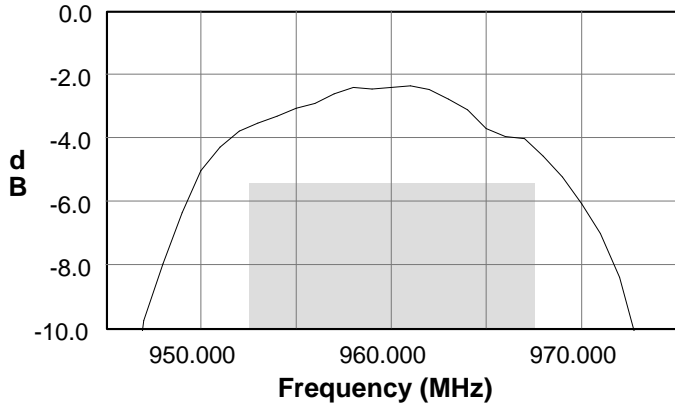
S21 Amplitude Response



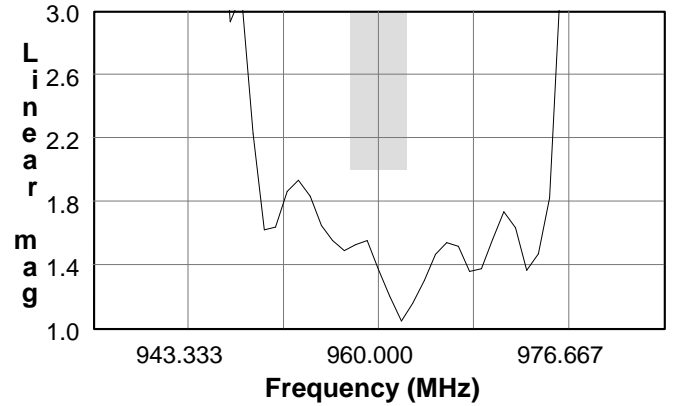
S11 Smith Chart



S21 Amplitude Response

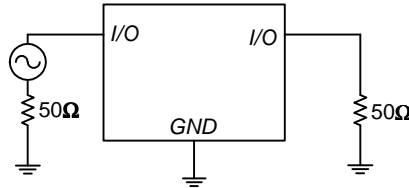


S11 VSWR



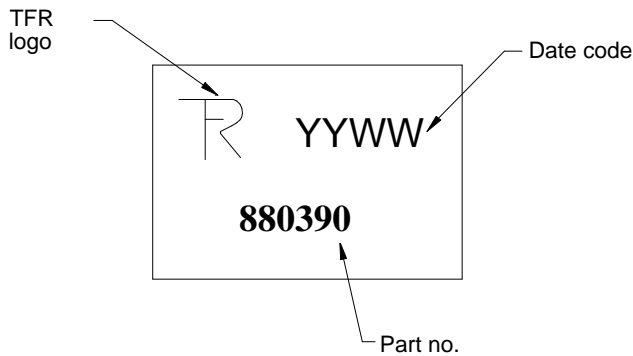
Matching Schematics

50 Ω
Single-ended
Input



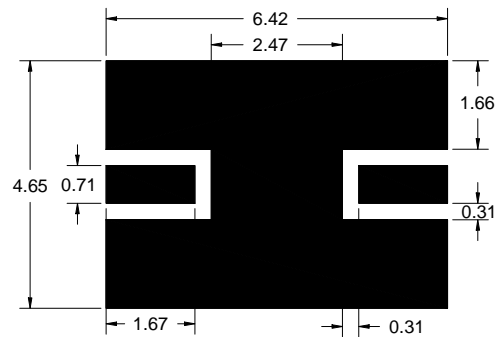
50 Ω
Single-ended
Output

Marking



The date code consists of: YY = last digit of year,
WW = 2 digit week

PCB Footprint



This footprint represents a recommendation only
Dimensions shown are nominal in millimeters

Tape and Reel

Tape and Reel available upon request
EIA-481

Tinning available per J-STD-001

ROHS compliant (no tinning)
DFARS compliant

Maximum Ratings

Parameter	Symbol	Minimum	Maximum	Unit
Operating Temperature Range	T	-40	+85	°C
Storage Temperature Range	T _{stg}	-55	+100	°C

Warnings

- Electrostatic Sensitive Device (ESD)
- Avoid ultrasonic exposure



Links to Additional Technical Information

[PCB Layout Tips](#)

[Qualification Flowchart](#)

[Soldering Profile](#)

[S-Parameters](#)

[Other Technical Information](#)

Sawtek's liability is limited only to the Bulk Acoustic Wave (BAW) component(s) described in this data sheet. Sawtek does not accept any liability for applications, processes, circuits or assemblies, which are implemented using any Sawtek component described in this data sheet.

Contact Information

TriQuint 
SEMICONDUCTOR
63140 Britta St. Bldg. C
Bend, OR 97701

Phone: +1 (972) 994-8465
Fax: +1 (972) 994-8504
Email: custservbend@tqs.com
Web: www.triquint.com

Or contact one of our worldwide
Network of [sales offices](#),
[Representatives or distributors](#)