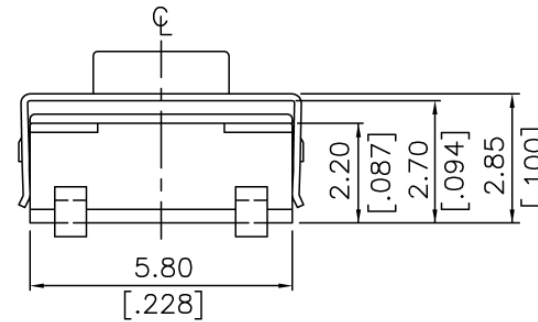
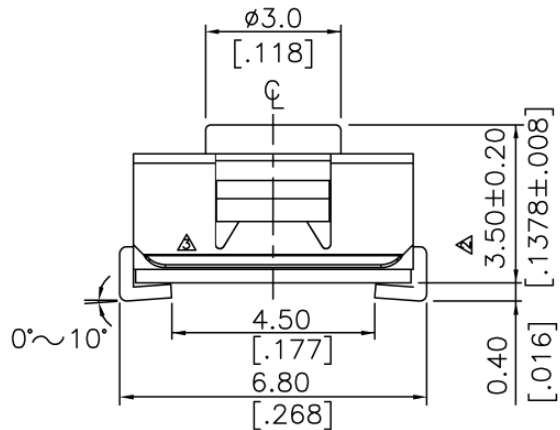


PCB Layout



RoHS compliant

Rev.	Description	Date	Approved	Drawing	Name	Date
				Approved	Howard	08/10/99
				Checked	Lizzy	08/10/99
				Drawn	Tina	08/10/99

**Central Components Manufacturing**  
 440 Lincoln Blvd., Middlesex, New Jersey 08846  
 Phone 732 469-5720 888 288-5152 Fax 732 469-1919

Part No.: **SWT-DTSJW-65N**

				0.0 ± 0.35	0.00 ± 0.20	Angles ± 3'
				UNIT: mm		

Description: Tact switch, surface mount