

FAST Products

74F756 Octal Inverter Buffer (Open Collector)
74F757 Octal Buffer (Open Collector)
74F760 Octal Buffer (Open Collector)

FEATURES

- Octal bus interface
- Open collector versions of 74F240, 74F241 and 74F244

DESCRIPTION

The 74F756, 74F757 and 74F760 are octal buffers that are ideal for driving bus lines of buffer memory address registers. The 74F756 is the open collector version of 74F240, 74F757 is the open collector version of 74F241 and 74F760 is the open collector version of 74F244. These devices feature two Output Enables, \overline{OE}_a and \overline{OE}_b (or OE_b for the 'F757), each controlling four of the outputs.

Product Specification

TYPE	TYPICAL PROPAGATION DELAY	TYPICAL SUPPLY CURRENT (TOTAL)
74F756	9.0ns	40mA
74F757	9.0ns	45mA
74F760	9.0ns	45mA

ORDERING INFORMATION

PACKAGES	COMMERCIAL RANGE $V_{CC} = 5V \pm 10\%$; $T_A = 0^\circ C$ to $+70^\circ C$
20-Pin Plastic DIP	N74F756N, N74F757N, N74F760N
20-Pin Plastic SOL	N74F756D, N74F757D, N74F760D

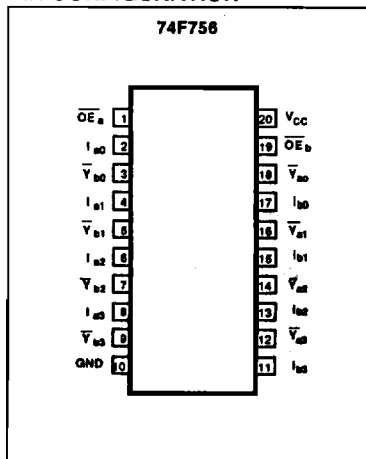
INPUT AND OUTPUT LOADING AND FAN-OUT TABLE

PINS	DESCRIPTION	74F(U.L.) HIGH/LOW	LOAD VALUE HIGH/LOW
I_{an}, I_{bn}	Data inputs	1.0/1.67	20 μ A/1.0mA
$\overline{OE}_a, \overline{OE}_b$	Output enable input (active Low)	1.0/1.67	20 μ A/1.0mA
OE_b	Output enable input (active High 'F757)	1.0/1.67	20 μ A/1.0mA
Y_{an}, Y_{bn}	Data outputs ('F757, 'F760)	OC/106.7	OC/64mA
$\overline{Y}_{an}, \overline{Y}_{bn}$	Data outputs ('F756)	OC/106.7	OC/64mA

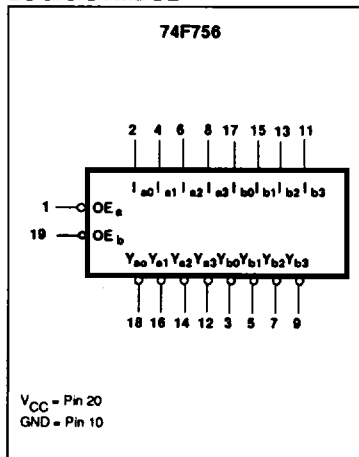
NOTE:

One (1.0) FAST Unit Load is defined as: 20 μ A in the High state and 0.6mA in the Low state.
OC= Open Collector

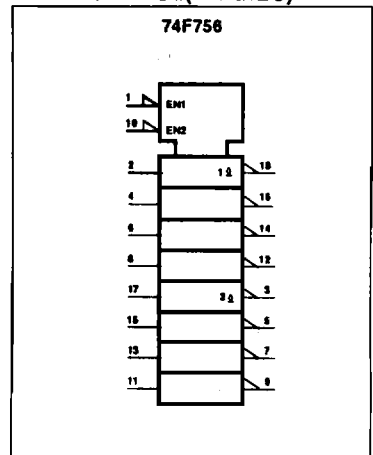
PIN CONFIGURATION



LOGIC SYMBOL



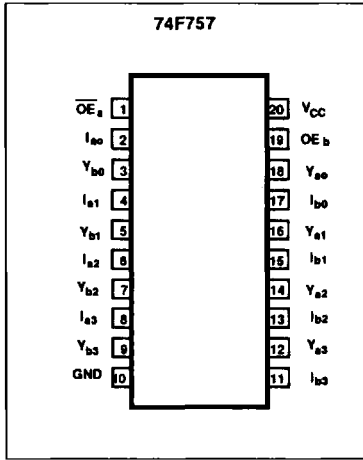
LOGIC SYMBOL (IEEE/IEC)



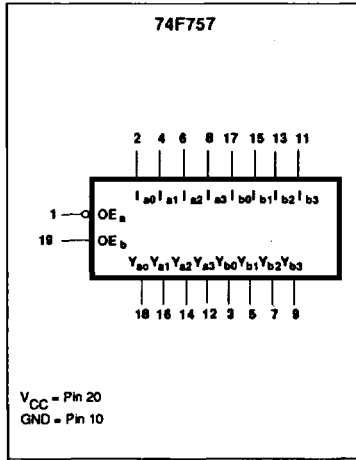
Buffers

FAST 74F756, 74F757, 74F760

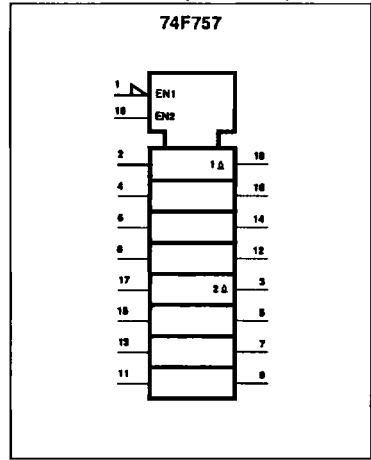
PIN CONFIGURATION



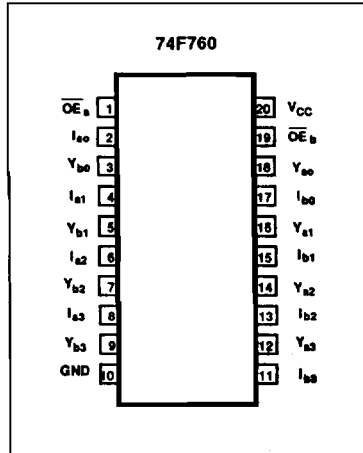
LOGIC SYMBOL



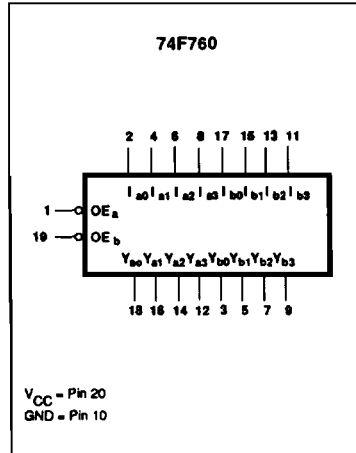
LOGIC SYMBOL (IEEE/IEC)



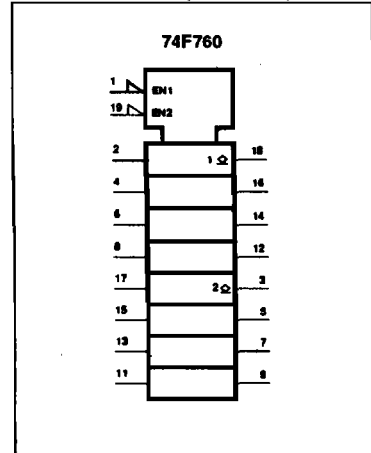
PIN CONFIGURATION



LOGIC SYMBOL



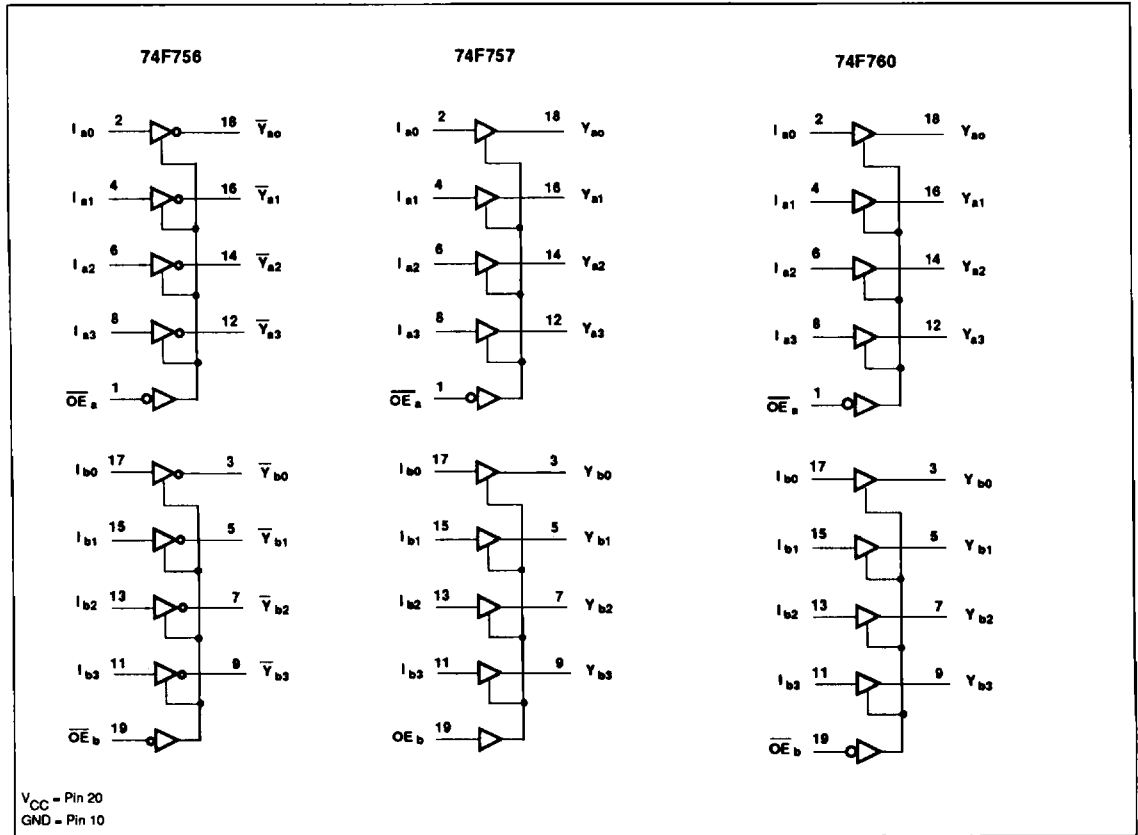
LOGIC SYMBOL (IEEE/IEC)



Buffers

FAST 74F756, 74F757, 74F760

LOGIC DIAGRAM



FUNCTION TABLE, 74F756

INPUTS				OUTPUTS	
\overline{OE}_a	I_a	\overline{OE}_b	I_b	\overline{Y}_a	\overline{Y}_b
L	L	L	L	H	H
L	H	L	H	L	L
H	X	H	X	H(off)	H(off)

FUNCTION TABLE, 74F760

INPUTS				OUTPUTS	
\overline{OE}_a	I_a	\overline{OE}_b	I_b	Y_a	Y_b
L	L	L	L	L	L
L	H	L	H	H	H
H	X	H	X	H(off)	H(off)

FUNCTION TABLE, 74F757

INPUTS				OUTPUTS	
\overline{OE}_a	I_a	\overline{OE}_b	I_b	Y_a	Y_b
L	L	H	L	L	L
L	H	H	H	H	H
H	X	L	X	H(off)	H(off)

H = High voltage level
L = Low voltage level
X = Don't care

Buffers

FAST 74F756, 74F757, 74F760

ABSOLUTE MAXIMUM RATINGS (Operation beyond the limits set forth in this table may impair the useful life of the device. Unless otherwise noted these limits are over the operating free-air temperature range.)

SYMBOL	PARAMETER	RATING	UNIT
V_{CC}	Supply voltage	-0.5 to +7.0	V
V_{IN}	Input voltage	-0.5 to +7.0	V
I_{IN}	Input current	-30 to +5	mA
V_{OUT}	Voltage applied to output in High output state	-0.5 to $+V_{CC}$	V
I_{OUT}	Current applied to output in Low output state	128	mA
T_A	Operating free-air temperature range	0 to +70	°C
T_{STG}	Storage temperature	-65 to +150	°C

RECOMMENDED OPERATING CONDITIONS

SYMBOL	PARAMETER				UNIT
V_{CC}	Supply voltage	4.5	5.0	5.5	V
V_{IH}	High-level input voltage	2.0			V
V_{IL}	Low-level input voltage			0.8	V
I_K	Input clamp current			-18	mA
V_{OH}	High level output voltage			4.5	V
I_{OL}	Low-level output current			64	mA
T_A	Operating free-air temperature range	0		70	°C

DC ELECTRICAL CHARACTERISTICS (Over recommended operating free-air temperature range unless otherwise noted.)

SYMBOL	PARAMETER		TEST CONDITIONS ¹			LIMITS			UNIT
						Min	Typ ²	Max	
I_{OH}	High-level output current		$V_{CC} = \text{MIN}, V_{IL} = \text{MAX}, V_{IH} = \text{MIN}, V_{OH} = \text{MAX}$					250	μA
V_{OL}	Low-level output voltage		$V_{CC} = \text{MIN}, V_{IL} = \text{MAX}, V_{IH} = \text{MIN},$	$I_{OL} = 48\text{mA}$	$\pm 10\%V_{CC}$		0.38	0.55	V
				$I_{OL} = 64\text{mA}$	$\pm 5\%V_{CC}$		0.42	0.55	V
V_{IK}	Input clamp voltage		$V_{CC} = \text{MIN}, I_I = I_{IK}$				-0.73	-1.2	V
I_I	Input current at maximum input voltage		$V_{CC} = \text{MAX}, V_I = 7.0\text{V}$					100	μA
I_{IH}	High-level input current		$V_{CC} = \text{MAX}, V_I = 2.7\text{V}$					20	μA
I_{IL}	Low-level input current		$V_{CC} = \text{MAX}, V_I = 0.5\text{V}$					-1.0	mA
I_{CC}	Supply current (total)	74F756	I_{CCH}	$V_{CC} = \text{MAX}$			20	30	mA
			I_{CCL}				50	70	mA
		74F757	I_{CCH}				30	40	mA
			I_{CCL}				55	80	mA
		74F760	I_{CCH}				25	37	mA
			I_{CCL}				55	80	mA

NOTES:

- For conditions shown as MIN or MAX, use the appropriate value specified under recommended operating conditions for the applicable type.
- All typical values are at $V_{CC} = 5\text{V}, T_A = 25^\circ\text{C}$.

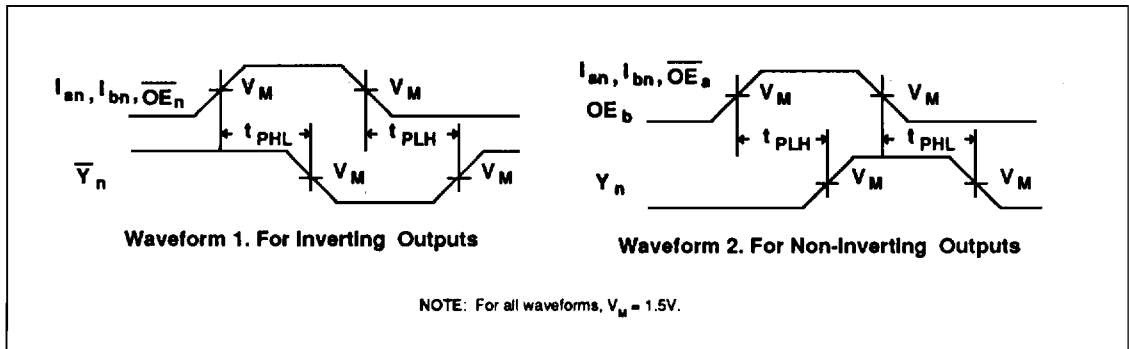
Buffers

FAST 74F756, 74F757, 74F760

AC ELECTRICAL CHARACTERISTICS

SYMBOL	PARAMETER	TEST CONDITION	LIMITS						UNIT
			$T_A = +25^\circ\text{C}$ $V_{CC} = 5\text{V}$ $C_L = 50\text{pF}$ $R_L = 500\Omega$			$T_A = 0^\circ\text{C to } +70^\circ\text{C}$ $V_{CC} = 5\text{V} \pm 10\%$ $C_L = 50\text{pF}$ $R_L = 500\Omega$			
			Min	Typ	Max	Min	Max		
t_{PLH} t_{PHL}	Propagation delay I_{an}, I_{bn} to \bar{Y}_n	74F756	Waveform 1, 2	8.5 1.0	11.0 3.0	14.0 6.0	8.5 1.0	15.0 6.5	ns
t_{PLH} t_{PHL}	Propagation delay \overline{OE}_n to \bar{Y}_n		Waveform 1, 2	9.0 5.0	11.5 7.0	14.5 10.0	9.0 4.5	15.0 10.5	
t_{PLH} t_{PHL}	Propagation delay I_{an}, I_{bn} to Y_n	74F757	Waveform 1, 2	7.5 3.0	10.5 5.5	13.5 8.5	7.5 3.0	14.0 9.0	ns
t_{PLH} t_{PHL}	Propagation delay \overline{OE}_a or \overline{OE}_b to Y_n		Waveform 1, 2	9.5 4.5	12.5 7.0	16.5 10.0	9.0 4.0	17.5 10.5	
t_{PLH} t_{PHL}	Propagation delay I_{an}, I_{bn} to Y_n	74F760	Waveform 1, 2	7.5 3.5	10.0 5.5	13.5 8.5	7.5 3.0	14.0 9.0	ns
t_{PLH} t_{PHL}	Propagation delay \overline{OE}_n to Y_n		Waveform 1, 2	9.5 5.0	11.5 7.0	14.5 10.0	9.0 4.5	15.0 10.5	

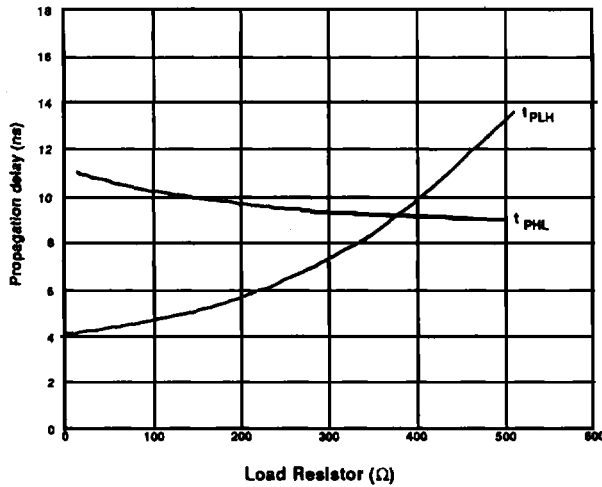
AC WAVEFORMS



Buffers

FAST 74F756, 74F757, 74F760

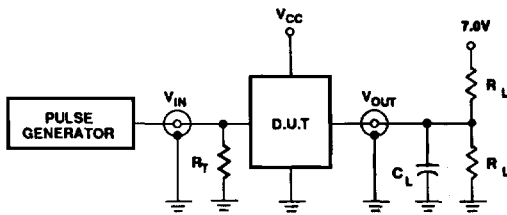
TYPICAL PROPAGATION DELAYS VERSUS LOAD FOR OPEN COLLECTOR OUTPUTS



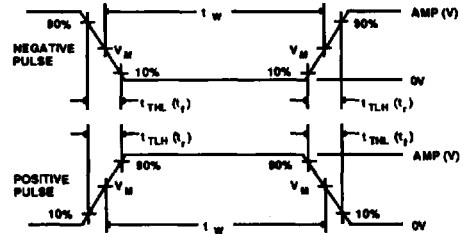
NOTE:

When using open-collector parts, the value of the pull-up resistor greatly affects the value of the t_{PLH} . For example, changing the pull-up resistor value from 500 Ω to 100 Ω will improve the t_{PLH} up to 50% with only slight increase in the t_{PHL} . However, if the pull-up resistor is changed, the user must make certain that the total I_{OL} current through the resistor and the total I_{IL} 's of the receivers do not exceed the I_{OL} maximum specification.

TEST CIRCUIT AND WAVEFORMS



Test Circuit For Open Collector Outputs



$V_M = 1.5V$

Input Pulse Definition

DEFINITIONS

- R_L = Load resistor; see AC CHARACTERISTICS for value.
- C_L = Load capacitance includes jig and probe capacitance; see AC CHARACTERISTICS for value.
- R_T = Termination resistance should be equal to Z_{OUT} of pulse generators.

FAMILY	INPUT PULSE REQUIREMENTS				
	Amplitude	Rep. Rate	t_W	t_{TLH}	t_{THL}
74F	3.0V	1MHz	500ns	2.5ns	2.5ns