

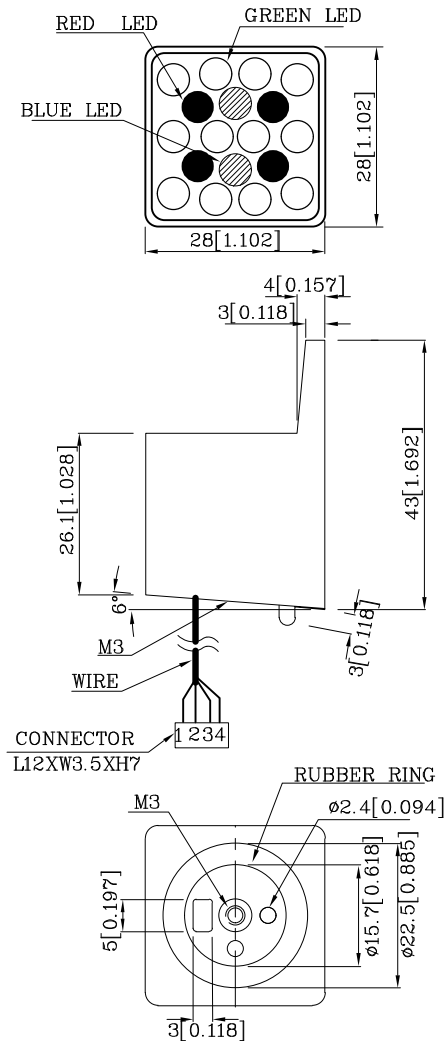
PRELIMINARY SPEC



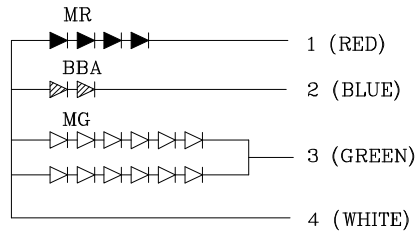
**ATTENTION**  
 OBSERVE PRECAUTIONS  
 FOR HANDLING  
 ELECTROSTATIC  
 DISCHARGE  
 SENSITIVE  
 DEVICES

**Features**

- HIGH VISIBILITY.
- WATER PROOF PACKAGE WITH HOOD SUITABLE FOR OUTDOOR AND INDOOR INFORMATION BOARDS.
- CAN PRODUCE ANY COLOR IN VISIBLE SPECTRUM, INCLUDING WHITE LIGHT.
- RoHS COMPLIANT.



LMR17W-11.7x4PCS  
 LBA17W-11.7x2PCS  
 LMG17W-11.7x12PCS



Notes:

1. All dimensions are in millimeters (inches).
2. Tolerance is  $\pm 0.25(0.01)$  unless otherwise noted.
3. Specifications are subject to change without notice.



**Electrical / Optical Characteristics at TA=25°C**

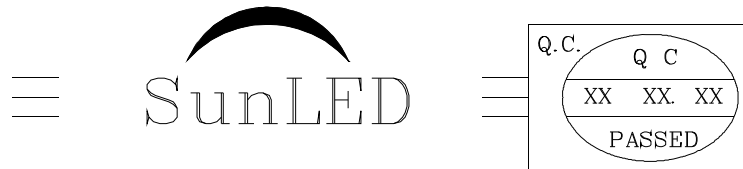
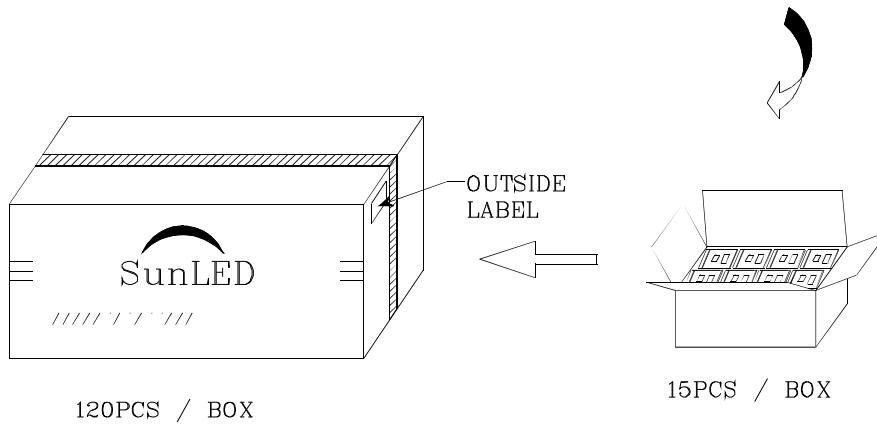
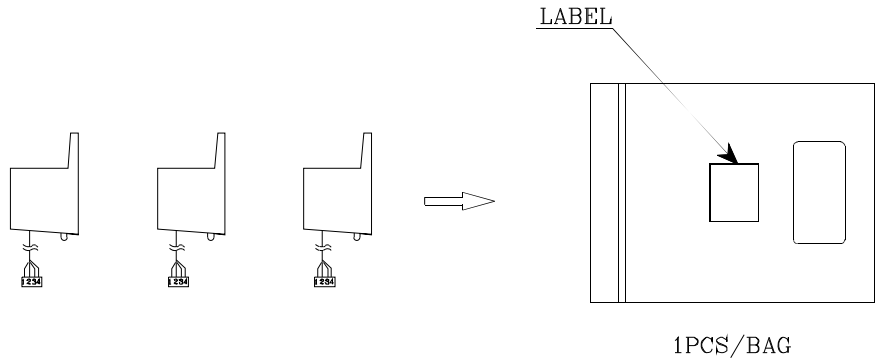
Symbol	Parameter	Device	Type.	Min	Typ.	Max.	Units	Test Conditions
IV	Luminous Intensity	K4MR2BBA12MGW88	MR	900	1790	-	mcd	IF=20mA
			BBA	280	647	-		IF=20mA
			MG	650	1195	-		IF=40mA
201/2	Viewing Angle		-	-	40	-	deg	-
VF	Forward Voltage		MR	-	7.4	10	V	IF=20mA
			BBA	-	6.4	8.0		IF=20mA
			MG	-	13.2	15		IF=40mA
Ipeak	Peak Wavelength		MR	-	660	-	nm	IF= 20mA
			BBA	-	468	-		IF=20mA
			MG	-	565	-		IF=40mA
ID	Dominant Wavelength	MR	-	640	-	nm	IF= 20 mA	
		BBA	-	470	-		IF=20mA	
		MG	-	568	-		IF=40mA	
D11/2	Spectral Line Half-width	MR	-	20	-	nm	IF=20mA	
		BBA	-	21	-		IF=20mA	
		MG	-	30	-		IF=40mA	
IR	Reverse Current	-	-	-	40	µA	VR= 5 V	

**Absolute Maximum Ratings at TA=25°C**

parameter	Value			unit
	MR	BBA	MG	
Total Power dissipation	1200			mW
DC Forward Current	25	25	25	mA
Reverse Voltage	5			V
Operating temperature	-40°C To +70°C			
Storage Temperature	-40°C To +85°C			

**PACKING & LABEL SPECIFICATIONS**

**K4MR2BBA12MGW88**



P/NO : Kxxx	
QTY : 1pcs	CODE: XXX
S/N : XX	
LOT NO:	
 xxxxxxxxxxxxxxxxxxxxxxxx	
RoHS Compliant	