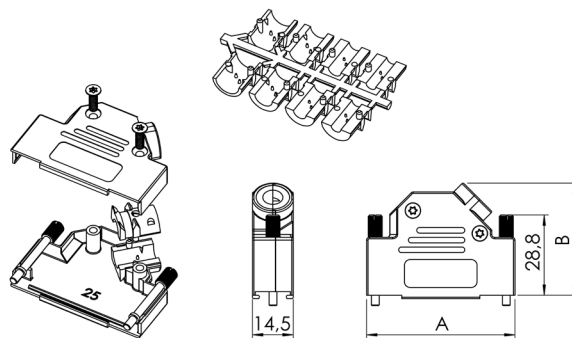
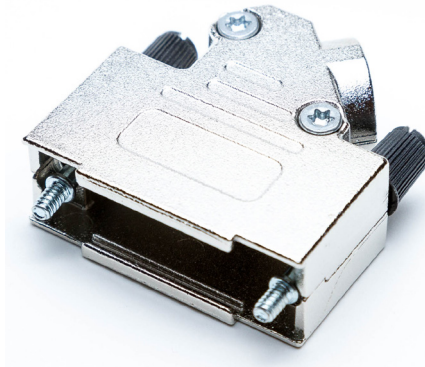


# Shielded D-Sub Backshells DVZK Series

## TECHNICAL SPECIFICATIONS

Material:	Zinc, Ni-plated
Temp. range:	-40°C - 120°C
Cable strain relief:	Polycarbonate PC UL94 V0
Cable diameter:	3.0 - 13.0 mm <17.0 mm DVZK50
Locking screws:	Long jackscrews with moulded top for colour coding
Assembly screws:	Taptite thread forming
Cable outlet:	Angled
Attenuation factor:	> 40 dB between 30 MHz and 1 GHz



TYPE	A	B
DVZK9	31	36,2
DVZK15	39,5	40,2
DVZK25	53,2	40,2
DVZK37	69,7	40,2
DVZK50	67,2	43,7

## PART NUMBERING SYSTEM

DVZK15 - - BULK

Series: \_\_\_\_\_  
 DVZK  
 Size: \_\_\_\_\_  
 9, 15, 25, 37 and 50  
 Thread (jackscrew): \_\_\_\_\_  
 Omit = UNC 4-40  
 M2.5  
 M2.6  
 M3.0

Packaging:  
 K = Kit package  
 BULK = Bulk package / 100 pcs

## FEATURES

- Available in sizes 9, 15, 25, 37 and 50
- Minimise interference from electromagnetic and RF sources
- Non-static parts avoid ESD problems
- Accept round foil and braided cable types
- Approved according VDE 0871, FCC 20780 and 89/336/EU
- Printed logotype available upon request
- Long jackscrews with UNC 4-40 thread as standard, M2.5, M2.6 or M3.0 as option
- For custom designed solutions, please consult factory

