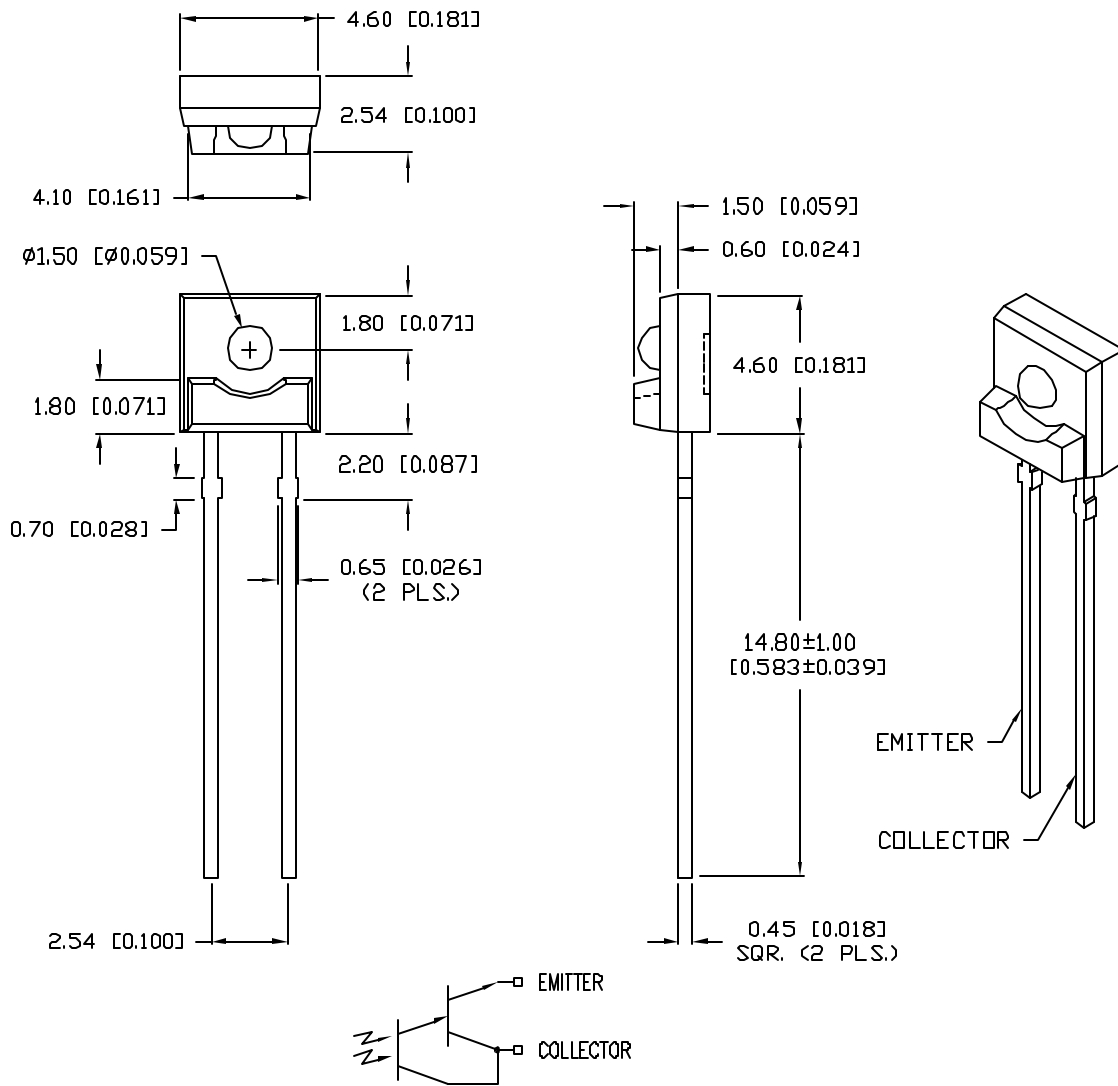


UNCONTROLLED DOCUMENT

PART NUMBER  
OED-PT-23G

REV.  
B



REV.	E.C.N. NUMBER AND REVISION COMMENTS	DATE
A	E.C.N. #10BRDR.	1.5.98
B	E.C.N. #10BRDR. & REDRAWN IN 3D.	5.30.03

ELECTRO-OPTICAL CHARACTERISTICS  $T_A = 25^\circ\text{C}$

PARAMETER	MIN	TYP	MAX	UNITS	TEST COND
SPECTRAL SENSITIVITY	480	800	1000	nm	
C/E SATURATION VOLTAGE			1.4	V	$I_c = 1\text{ mA}$ $E_e = 0.2\text{ mW/cm}^2$
COLLECTOR DARK CURRENT			1000	nA	$V_{ce} = 10\text{ V}$ $E_e = 0.0\text{ mW/cm}^2$
COLLECTOR ON CURRENT	5.0			mA	$V_{ce} = 5\text{ V}$ $E_e = 0.03\text{ mW/cm}^2$
RISE/FALL TIME		65/75		$\mu\text{S}$	$I_c = 5\text{ mA}$ $V_{ce} = 5\text{ V}, R_l = 100\ \Omega$
EPOXY FINISH:	WATER CLEAR				

LIMITS OF SAFE OPERATION AT  $25^\circ\text{C}$

PARAMETER	MAX	UNITS
C/E BREAKDOWN VOLTAGE	30	V
E/C BREAKDOWN VOLTAGE	4	V
COLLECTOR CURRENT	50	mA
POWER DISSIPATION	150	mW
OPERATING TEMP.	-20 TO +100	$^\circ\text{C}$
STORAGE TEMP.	-20 TO +100	$^\circ\text{C}$
SOLDERING TEMP.	+260	$^\circ\text{C}$
3.0mm FROM BODY		5 SEC. MAX

UNCONTROLLED DOCUMENT

\*UNLESS OTHERWISE SPECIFIED TOLERANCES PER DECIMAL PRECISION ARE: X=±1 (±0.039), XX=±0.5 (±0.020), XXX=±0.25 (±0.010), XXXX=±0.127 (±0.005), LEAD SIZE=±0.05 (±0.002), LEAD LENGTH=±0.75 (±0.030), MIN.=<sup>+DECIMAL PRECISION</sup><sub>-0.00</sub>, MAX.=<sup>+0.00</sup><sub>-DECIMAL PRECISION</sub>

REV. B	PART NUMBER OED-PT-23G
HIGH OUTPUT, SIDE EMITTING, PHOTOTRANSISTOR, DARLINGTON CONFIGURATION.	

**CONFIDENTIAL INFORMATION**  
THE INFORMATION CONTAINED IN THIS DOCUMENT IS THE PROPERTY OF LUMEX INC. EXCEPT AS SPECIFICALLY AUTHORIZED IN WRITING BY LUMEX INC., THE HOLDER OF THIS DOCUMENT SHALL KEEP ALL INFORMATION CONTAINED HEREIN CONFIDENTIAL AND SHALL PROTECT SAME IN WHOLE OR IN PART FROM DISCLOSURE AND DISSEMINATION TO ALL THIRD PARTIES.

**RELIABILITY NOTE**  
OUR MANY YEARS OF EXPERIENCE DATA ACCUMULATION INDICATE THAT SOLDER HEAT IS A MAJOR CAUSE OF EARLY AND FUTURE FAILURE. PLEASE PAY ATTENTION TO YOUR SOLDERING PROCESS.

		290 E. HELEN ROAD PALATINE, IL 60067-6976 PHONE: +1.847.359.2790 US WEB: www.lumex.com TW WEB: www.lumex.com.tw
DRAWN BY: BC	CHECKED BY:	APPROVED BY:
DATE: 2.14.95		PAGE: 1 OF 1
SCALE: N/A		