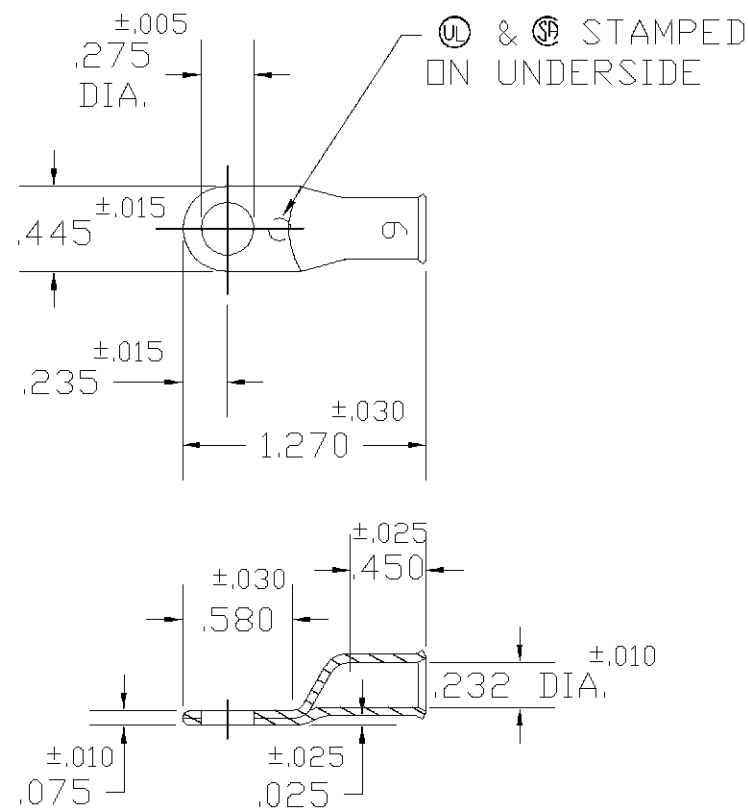


THIS DRAWING IS UNPUBLISHED. RELEASED FOR PUBLICATION
 © COPYRIGHT BY TYCO ELECTRONICS CORPORATION. ALL RIGHTS RESERVED.

LOC	DIST	REVISIONS					
		P	LTR	DESCRIPTION	DATE	DWN	APVD
G	50		B	REV PER 0G61-0039-02	17MAY02	JR	MS



ACTIVE	6141-01-D	SMALL PACK	TIN PLATE	8-1526166-2
ACTIVE	6141-01	STANDARD	TIN PLATE	1526166-2
ACTIVE	6141-00	STANDARD	PLAIN	1526166-1
STATUS	AET P/N	PACKAGING	FINISH	PART NUMBER

THIS DRAWING IS A CONTROLLED DOCUMENT.		DWN D.A.A 9/15/00	Tyco Electronics Corporation Harrisburg, PA 17105-3608	
DIMENSIONS: INCHES		CHK H.D.F 9/15/00		
		APVD H.D.F 9/15/00	NAME 6A STANDARD TERMINAL	
TOLERANCES UNLESS OTHERWISE SPECIFIED:		PRODUCT SPEC	-	
0 PLC ± -		APPLICATION SPEC	-	
1 PLC ± -		WEIGHT	-	
2 PLC ± -		SIZE	A3	
3 PLC ± -		CAGE CODE	00779	
4 PLC ± -		DRAWING NO	C-1526166	
ANGLES ± -		RESTRICTED TO	-	
MATERIAL COPPER ASTM B-152		FINISH	-	
		CUSTOMER DRAWING	SCALE	1:1
			SHEET	1 OF 1
			REV	B