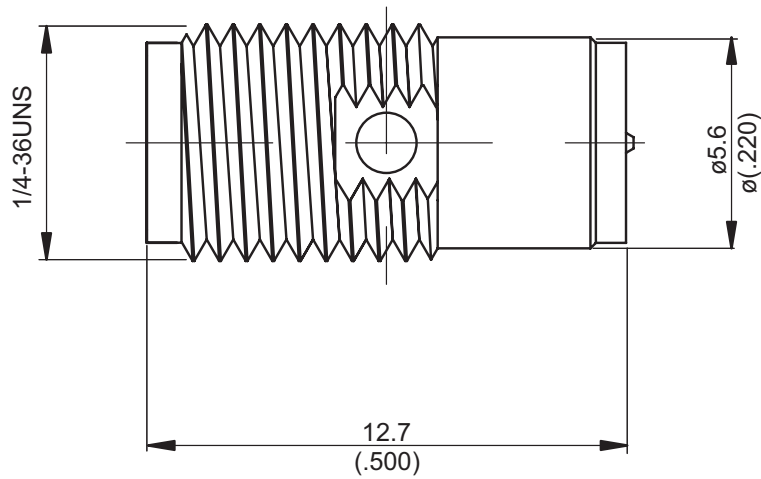


ADS-A8AQ9

SMA Jack To Snap On Reverse Polarity SMA Jack  
50Ω



| Parts       | Material         | Plating (Micro-inch)                  |
|-------------|------------------|---------------------------------------|
| Contact Pin | Beryllium Copper | Gold 10 Over Nickel 50 Over Copper 50 |
| Insulator   | Teflon           |                                       |
| Body        | Stainless        | Passivated                            |

Weight:

This part number complies with RoHS.

Notice: JYBAO reserves the right to make modifications deemed appropriate.