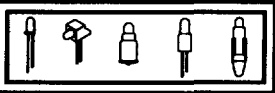


LED®



LED MOUNTING ACCESSORIES

POSITIVE PANEL MOUNTINGS FOR STD. T1¼ LAMPS

FEATURES

- MOUNTS IN STD. NON-CRITICAL 1/4" DIA. HOLES
- FITS PANELS UP TO 0.187" THICK (MAX.)
- ATTRACTIVE APPEARANCE WITHOUT ADDITIONAL BEZELS
- IDEAL FOR ARRAY DESIGNS

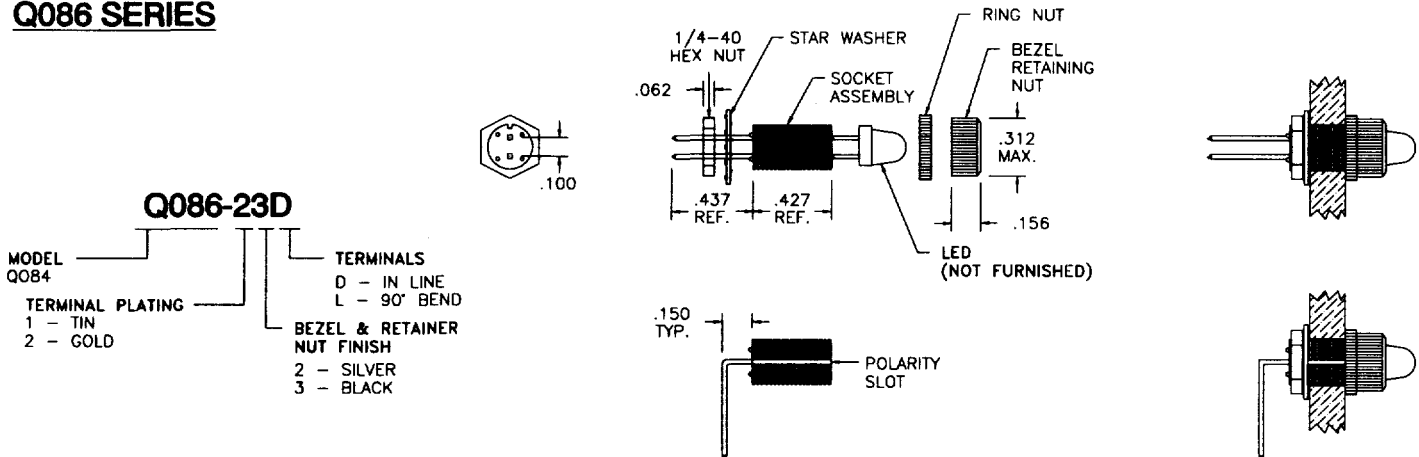
Reduce your costs and simplify the installation of L.E.D. lamps with these unique mountings, plug-in-sockets and complete indicator lite assemblies. They are easily mounted from either front or rear of panel through standard 1/4" holes (no critical tolerances). Their rugged and reliable construction, along with their design flexibility, make these units ideal for practically every application where economy, ease of installation, attractive appearance and dependability are of prime considerations.

MATERIALS:

BARREL MATERIAL: BLACK DELRIN
 BEZEL RETAINING NUT & RING NUT: BLACK OR SILVER FINISH
 ALL HARDWARE: PLATED BRASS

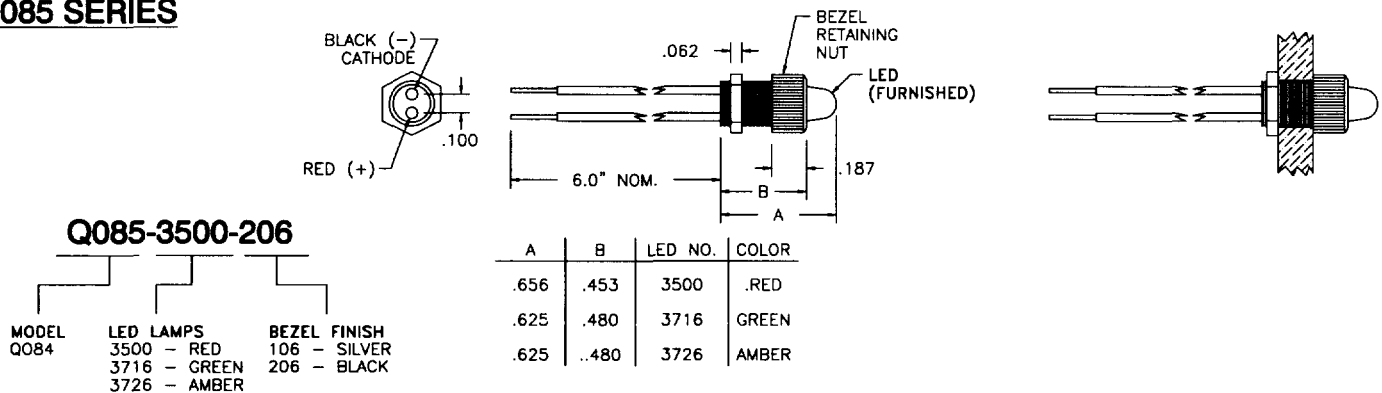
UNIVERSAL RELAMPABLE L.E.D. LAMP SOCKET

Q086 SERIES



COMPLETE L.E.D. INDICATOR LITE WITH FLEXIBLE LEADS (RED/GREEN/AMBER)

Q085 SERIES



LOW-COST MOUNTING KIT

Q084 SERIES

