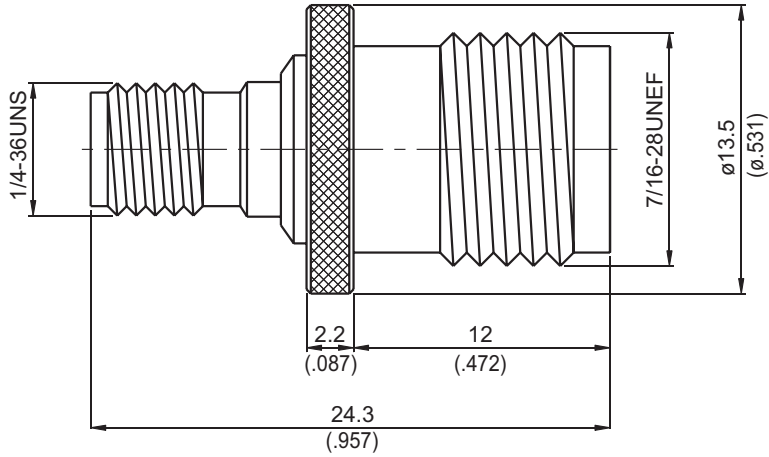


AD-A8T8

SMA Jack To TNC Jack

50Ω



Typical VSWR

Part Number	1 Ghz	2 Ghz	3 Ghz	4 Ghz	5 Ghz	6 Ghz	7 Ghz
AD-A8T8	1.08	1.1	1.14	1.23	1.23	1.23	1.29

Parts	Material	Plating (Micro-inch)
Contact Pin	Phosphor Bronze	Gold 10 Over Nickel 50 Over Copper 50
Insulator	Teflon	
Body(SMA)	Brass	Gold 5 Over Nickel 50 Over Copper 50
Body(TNC)	Brass	Tin-Zinc-Copper-Alloy 100 Over Copper 50

Weight: 8.26 g

Notice: JYEBAO reserves the right to make modifications deemed appropriate.