

RED INDICATES ORIGINAL

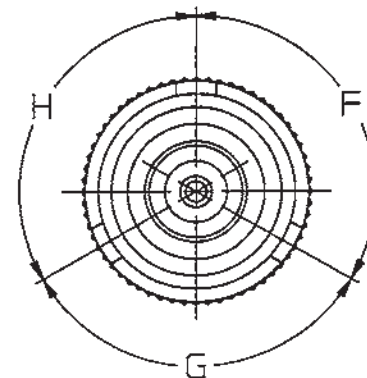
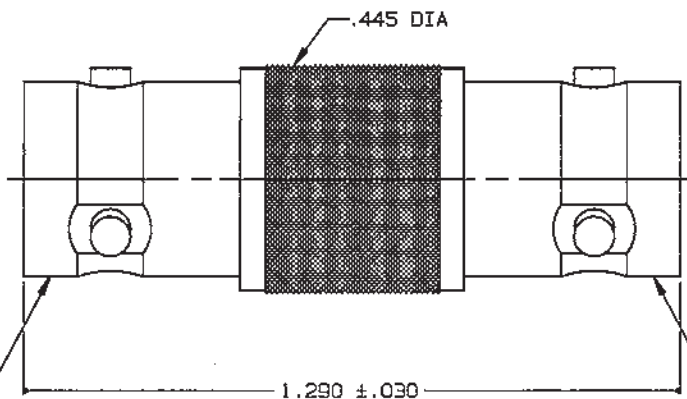
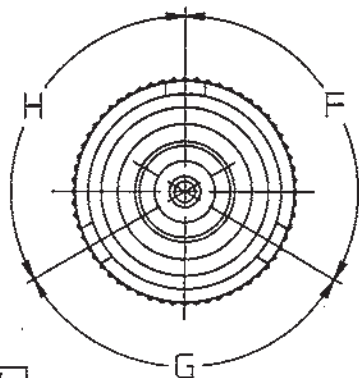
DWG SIZE
B

DATA CONTAINED IN THIS DOCUMENT IS PROPRIETARY TO TROMPETER ELECTRONICS INC. AND SHALL NOT BE DISCLOSED, COPIED OR USED FOR PROCUREMENT OR MANUFACTURE WITHOUT EXPRESS WRITTEN PERMISSION.

REVISIONS			305-0140	SH 1	
REV	ED	DESCRIPTION	OWN	APPROVED	DATE
K	10721	ADDED COLOR BAND LOCATION; SEE ECO	DKC	<i>Bm</i> <i>(Signature)</i>	7/5/94

POLARIZATION CHART

KEYING LETTER	F DEGREES	G DEGREES	H DEGREES	COLOR BAND
T	100°	150°	110°	RED
U	120°	130°	110°	ORANGE
V	115°	130°	115°	YELLOW
W	125°	110°	125°	GREEN
X	130°	100°	130°	BLUE
Y	110°	140°	110°	VIOLET
Z	100°	160°	100°	GRAY
S	135°	135°	90°	WHITE
NONE	120°	120°	120°	NONE



INCH	MM
.005	0.13
.030	0.76
.445	11.30
1.290	32.77

COLOR BAND

COLOR BAND

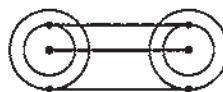
4. EXAMPLE OF COMPLETE MODEL NO:

AD78 Y
BASIC MODEL NO KEY LTR

3. WITHIN SERIES CONCENTRIC TWINAX/TRIAX TRB FEEDTHRU RECEPTACLE ADAPTER

2. FINISH: TFS-1A (NICKEL)

1. ALL DIM ARE IN INCHES



SCHEMATIC

QTY	DESCRIPTION	PART NUMBER	ITEM
TOL UNLESS SPECIFIED .XX ± .XXX ± .005 .XXXX ± ANGLES ±	TROMPETER RF connectivity <small>a cnc connectivity solutions brand</small>	AD78	
OWN DKC 6-27-94	MATERIAL	CODE IDENT 14949	DRAWING NO. 305-0140
CHK <i>Bm</i> 6-28-94			REV K
ENGR			
APPR <i>(Signature)</i> 7/1/94	SCALE 4/1	DATE 2-5-81	SHEET 1 OF 2

3-0057
NEXT ASSY