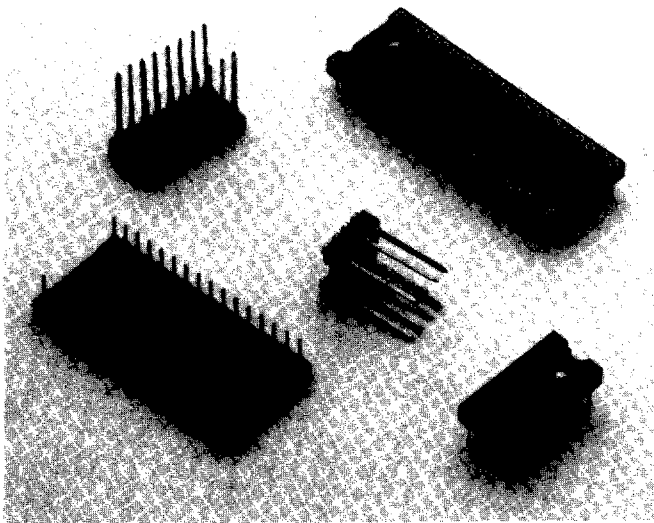


A-93-05

3.1



Solid body I.C. socket construction and Garry's screw machine terminals offer the highest reliability in the industry. The design of the solid body construction offers multiple benefits for high reliability applications.

- Standard, glass reinforced, thermoplastic bodies (UL94V-0 rated) permit low-profile component mounting.
- Four fingered Beryllium copper contacts provide excellent insertion-to-withdrawal ratios on I.C. leads as short as .090" to accommodate differences in lead lengths among chip suppliers.
- Four points of contact redundancy and standard gold plating on spring clip contacts provide maximum mechanical and electrical performance.
- Precise socket body dimensions permit end-to-end and side-by-side stackable on .100" spacing.
- Precision design allows for ease of insertion using automatic insertion equipment.

- Precision machined outer sleeve features closed bottom to eliminate solder wicking problems.
- Withstands severe environmental conditions including military requirements of high shock and vibration.

Materials:

Insulator:

Glass reinforced, thermoplastic polyester, rated UL94V-0. Color: Black

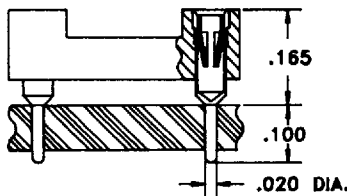
Spring Contact:

Beryllium copper, Gold over nickel plating

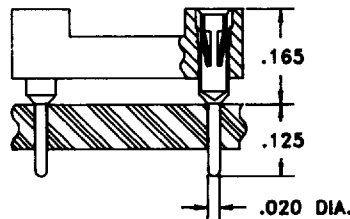
Outer sleeve:

Brass. Gold over nickel.
Tin Lead over nickel plating.

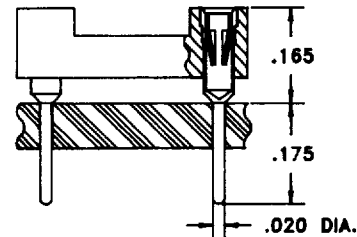
Plating options and specifications are available by contacting either the Garry factory or your local representative.



CS

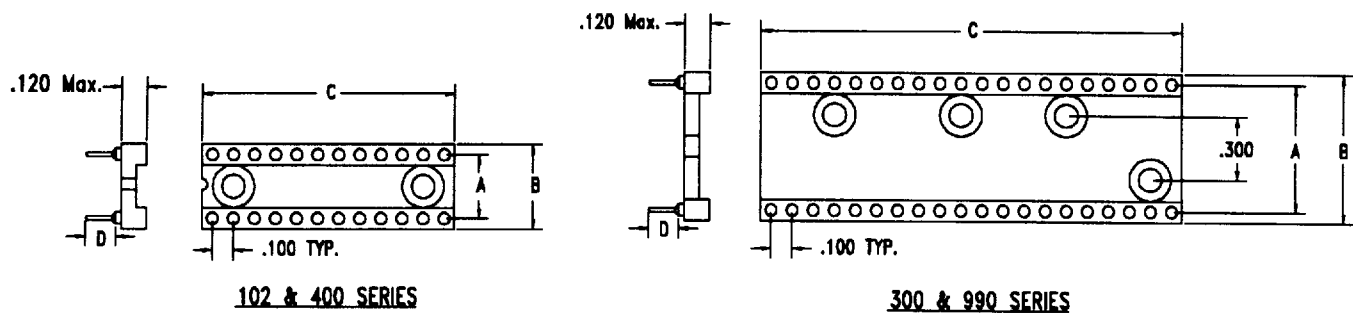


CC



CJ

Precision Dual-in-Line Sockets Solid Body Precision Dual-In-Line Sockets



3.2

XXX-XX - XX - X

| SERIES-PIN COUNT | | | | |
|------------------|----------|-------------|-------------|-------------|
| P/N | #OF PINS | A DIM.(in.) | B DIM.(in.) | C DIM.(in.) |
| 102-06 | 6 | .300 | .399 | .299 |
| 102-08 | 8 | .300 | .399 | .399 |
| 102-14 | 14 | .300 | .399 | .699 |
| 102-16 | 16 | .300 | .399 | .799 |
| 102-18 | 18 | .300 | .399 | .899 |
| 102-20 | 20 | .300 | .399 | .999 |
| 102-22 | 22 | .300 | .399 | 1.099 |
| 102-24 | 24 | .300 | .399 | 1.199 |
| 400-22 | 22 | .400 | .499 | 1.099 |
| 400-24 | 24 | .400 | .499 | 1.199 |
| 300-06 | 6 | .600 | .699 | .299 |
| 300-08 | 8 | .600 | .699 | .399 |
| 300-14 | 14 | .600 | .699 | .699 |
| 300-16 | 16 | .600 | .699 | .799 |
| 300-18 | 18 | .600 | .699 | .899 |
| 300-24 | 24 | .600 | .699 | 1.199 |
| 300-28 | 28 | .600 | .699 | 1.399 |
| 300-32 | 32 | .600 | .699 | 1.599 |
| 300-36 | 36 | .600 | .699 | 1.799 |
| 300-40 | 40 | .600 | .699 | 1.999 |
| 300-48 | 48 | .600 | .699 | 2.399 |
| 990-64 | 64 | .900 | .999 | 3.199 |

| PIN STYLE | | |
|-------------|--|-------------|
| DESCRIPTION | | D DIM.(in.) |
| CS | Solder Tail For .062 Thick Board | .100 |
| CC | Solder Tail For .062 Thick Board | .125 |
| CJ | Solder Tail For .093 or .125 Thick Board | .175 |

| PLATING | | | |
|---------|---------|--------|--------------|
| | CONTACT | SLEEVE | THICKNESS(u) |
| B | Gold | Gold | 30/10 |
| D | Gold | Tin | 30/200 |

Specifications

Material Specifications for Screw Machine Products

Insulators

High temperature vapor phase and infrared compatible

| | |
|----------------------------------|-------|
| Ryton (PPS) | |
| Continuous use temp. | 220°C |
| Heat deflection temp.(@ 264 PSI) | 260°C |
| UL rating | 94V-0 |
| FR-4 Glass Epoxy | |
| Continuous use temp. | 140°C |
| Heat deflection temp.(@ 264 PSI) | 149°C |
| UL rating | 94V-0 |

Standard temperature wave solder compatible

| | |
|--------------------------------------|-------|
| Thermoplastic Polyester (PBT) | |
| Continuous use temp. | 140°C |
| Heat deflection temp.(@ 264 PSI) | 204°C |

| | |
|--------------------|------------------|
| Kapton | |
| Temperature rating | -269°C to +400°C |
| Thickness | .005/.007 |
| U/L94 VO rated | |

| | |
|--------------------|-----------------|
| Politrex | |
| Temperature rating | -60°C to +150°C |
| Thickness | .005/.007 |
| U/L94 VO rated | |

Outer Body/Terminal

Brass - Alloy 360 Q hard per QQ-B-626

Contact Clips

Beryllium Copper (Be Cu) #25 hard heat treated

Plating Specifications

Plating Code "B"

Contact: 30 micro inches of gold per MIL-G-45204 over 50 micro inches min. of nickel per QQ-N-290

Outer Body: 10 micro inches of gold per MIL-G-204 type II over 50 micro inches min. of nickel per QQ-N-290

Plating Code "D"

Contact: 30 micro inches of gold per MIL-G-45204 type II over 50 micro inches min. of nickel per QQ-N-290

Outer Body: 200 micro inches min. of 90/10 tin lead per MIL-P-81728 type 1 over 50 micro inches min. of nickel per QQ-N-290

*Other Plating Requirements consult factory

Garry offers three (3) types of inter contact clips.

- *Standard insertion clip - 4 finger (used on SIP/DIP products)*
- *Low insertion clip - 6 finger (used on PGA STD Pin counts)*
- *Ultra low insertion clip - 3 finger (used on high pin count PGA and Interstitial PGA)*

Insertion/withdrawal specification using a .018 dia. polished steel pin

| | <i>INS</i> | <i>withdrawal</i> |
|--------------------------|------------|-------------------|
| STD 4 finger clip | 8 oz max | 3 oz min |
| Low insertion clip | 2 oz max | 0.5 oz min |
| Ultra low insertion clip | 1 oz max | 0.3 oz min |

16.1

Typical performance characteristics for Screw Machine Products

- *Contact Resistance (MIL-STD-202 E method 302)*
10 MIL/ohms max percontact
- *Contact Rating (for 10 C temperature rise)*
3 Amps
- *Capacitance (MIL-STD-202E method 302)*
0.2 PF
- *Insulation Resistance (MIL-STD-1344 method 3003.1)*
10,000 Megaohms(min)
- *Dielectric Withstanding Voltage(DWV) (MIL-STD-1344 method 3001.1)*
1000 VAC(RMS)
- *Vibration (MIL-STD-1344 method 2005.1 condition III)*
- *Shock (MIL-STD-1344 method 2004.1 condition G)*
- *Solderability (MIL-STD-202 method 208)*

