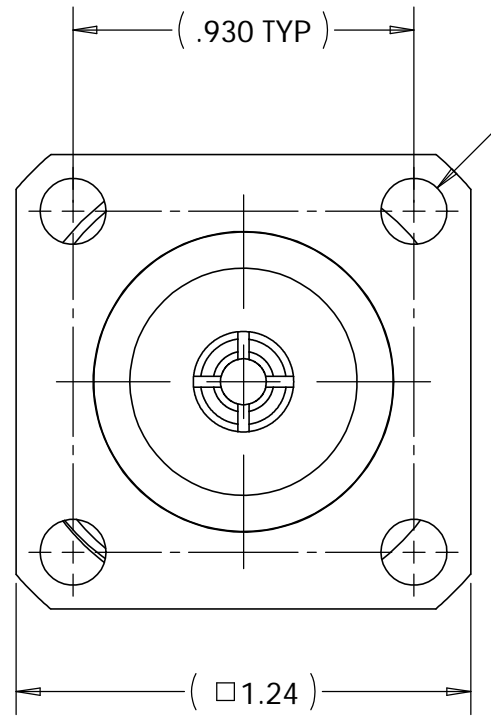
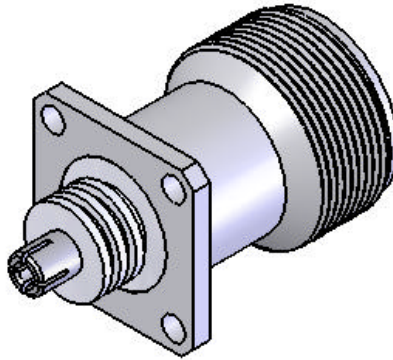
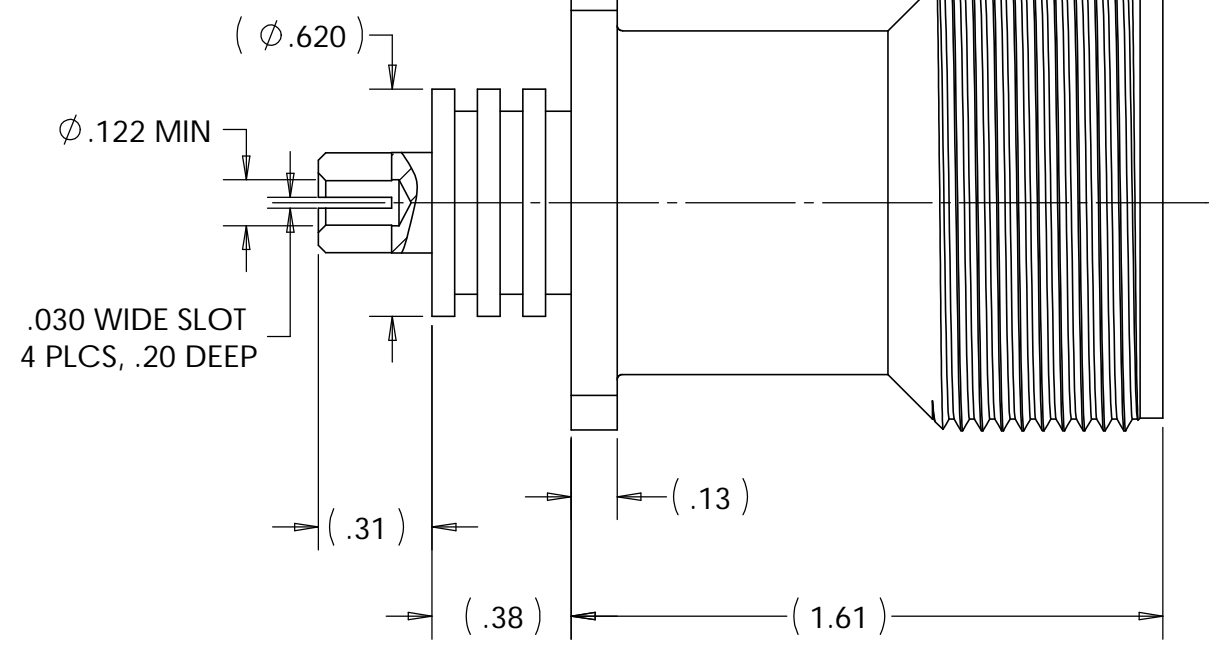


This document, including the design, configuration and mechanical features revealed herein are the sole, confidential and proprietary property of TRU Corporation. Reproduction or use thereof, in whole or part, is prohibited without the prior written consent of TRU Corporation.

REV.	DESCRIPTION	DATE	APPROVED
-	ORIGINAL ISSUE	11/17/09	AM



Ø .180 HOLE
4 PLCS



.030 WIDE SLOT
4 PLCS, .20 DEEP

ENGINEERING DATA:

ELECTRICAL:
IMPEDANCE: 50 OHMS NOMINAL

MECHANICAL:
INTERFACE: LC(f) PER MIL-STD-348 FIG. 315.2
TEFLON DIELECTRIC

MATERIAL:
INSULATOR: PTFE (TEFLON)
CONTACT: BERYLLIUM COPPER
BODY: BRASS

FINISH:
CONTACT: SILVER PLATED
BODY: NICKEL PLATED

- NOTES:
1. UNLESS OTHERWISE SPECIFIED; ALL DIMENSIONS ARE REFERENCE ONLY.
2. PRODUCT COMPLIES WITH ROHS DIRECTIVE 2002/95/EC.

MATERIAL	DO NOT SCALE DRAWING	DRAWN AM	DATE 11/13/09	TRU CORPORATION 245 LYNNFIELD STREET, PEABODY, MA 01960 The Custom Interconnect Leader™
	UNLESS OTHERWISE SPECIFIED: DIMENSIONS ARE IN INCHES	ENG APPR. AM	DATE 11/16/09	
		MFG APPR.	DATE	
		OTHER APPR.	DATE	
COMMENTS:	TOLERANCES: FRACTIONS: ±1/64 .XX : ±.01 .XXX: ±.005 ANGLES: ±1/2° MACHINED SURFACES: 63/√	THIRD ANGLE PROJECTION		TITLE: CONNECTOR, COAXIAL, RF LC(f) RECEPTACLE, PANEL
surface area: sq inch		weight: 0.28 lbs	SIZE B	DWG. NO. TRU-11421
		CAGE CODE: 92180	SCALE: 2:1	SHEET 1 OF 1