



DIGITAL TO ANALOGUE CONVERTERS

Semelab introduces an innovative range of Digital to Analogue Converters.

WM8015

8 Bit Voltage output DAC with on chip Non-Volatile Memory with buffered reference input.

The ability to store a DAC setting and use automatic recall on each power-up enables factory set up of a reference voltage or signal attenuation.

Part	Package
WM8015D	8 Pin Plastic DIP
WM8015S	8 Pin SO

WM8016

8 Bit Voltage Output DAC with on chip Non-Volatile Memory.

This is a dual version of WM8015.

Part	Package
WM8016D	16 Pin Plastic DIP
WM8016S	16 Pin Wide Bodied SO

WM8023

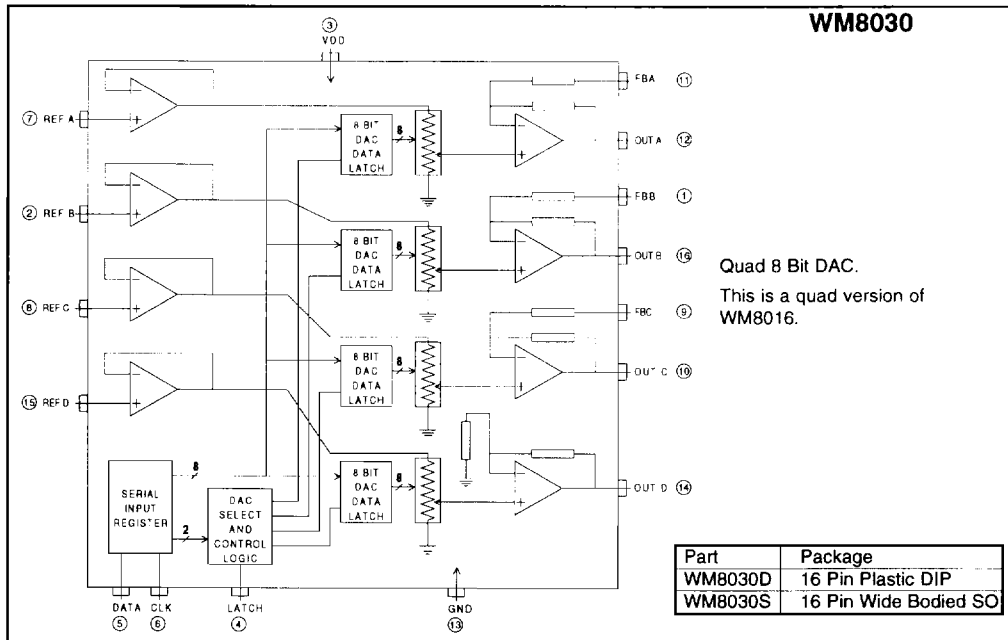
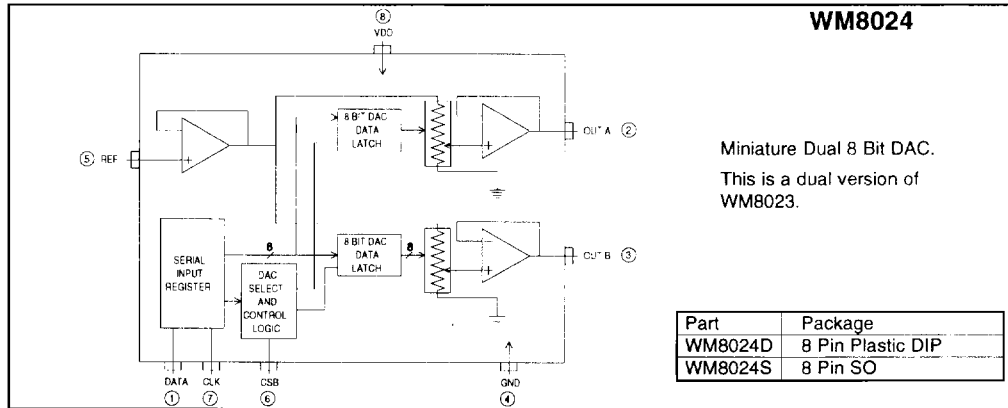
Miniature 8 Bit Voltage Output DAC with buffered reference input that is guaranteed monotonic and is simple to use.

Used as a programmable attenuator on two supply lines, no external coupling components are needed.

Part	Package
WM8023D	8 Pin Plastic DIP
WM8023S	8 Pin SO



DIGITAL TO ANALOGUE CONVERTERS



All the above products are the design copyright Wolfson Microelectronics.