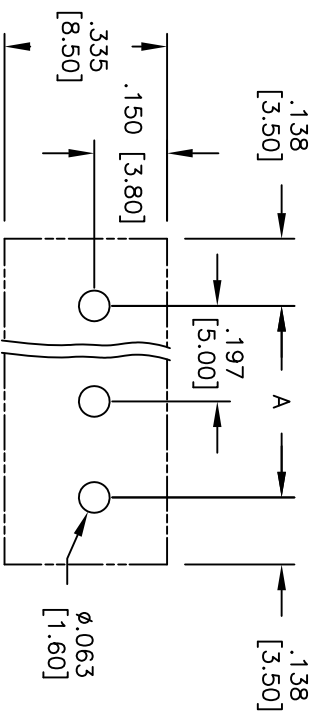
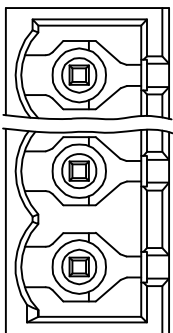
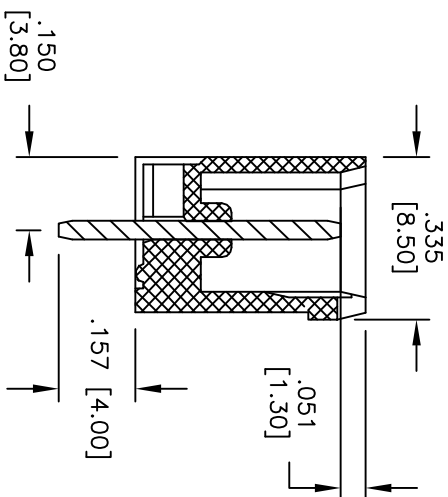
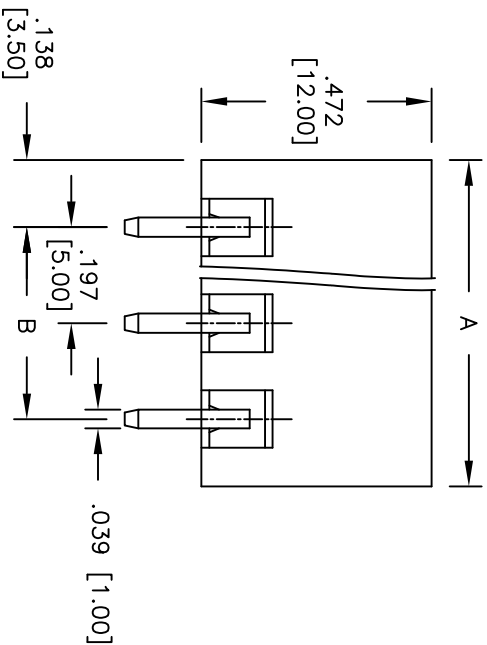


APPROVED: _____
 DATE: _____ TITLE: _____

Rev	AWO #	Description	Date	Appr
-		RELEASED	3/30/04	
A		REDRAWN	12/10/10	



Recommended PCB Layout



Positions: 02 thru 24
 A = .197 [5.00] x No. of Positions + .079 [2.00]
 B = .197 [5.00] x No. of Spaces

SPECIFICATIONS:
 Material: Insulator: Thermoplastic, rated UL 94V-0
 Insulator color: Green
 Contact: Brass, Tin plated.
 Electrical:
 Operation voltage: 300 VAC max
 Current rating: 20 Amps max per Pole
 Dielectric withstanding voltage: 1600 VAC for 1 minute
 Environmental:
 Operating temperature: -30°C to +105°C
 Lead free, RoHS compliant.
 Recommended soldering temp: 235°C for 5 sec.



ADAM TECH

909 Rahway Avenue, Union, NJ 07083
 Phone: 908-687-5000 Fax: 908-687-5710

TITLE: **TERMINAL BLOCK, SOCKETS FOR PLUGGABLE, VERTICAL, .197 [5.00] PITCH**

UNLESS OTHERWISE SPECIFIED ALL DIMENSIONS ARE MM [INCHES] TOLERANCES: EXCEPT AS NOTED	
.X ± .10	ØX ± .10
.XX ± .020	ØXX ± .015
.XXX ± .015	ØXXX ± .010
APPROVALS	DATE
DRAWN	SLS
CHECKED	
APPROVED	

SIZE	PART NO.	REV.
X	EBP-XX-C-C	A
REF: S00007T	SCALE: NTS	SHEET 1 OF 1