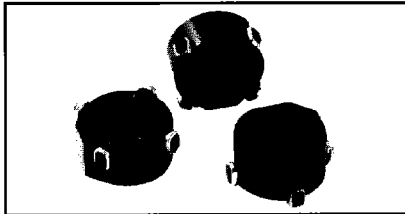




Inductors/Transformers
*Customizable, Surface Mount Torodial,
 Kool-Mu®, Powdered Iron and MMP Cores*



FEATURES

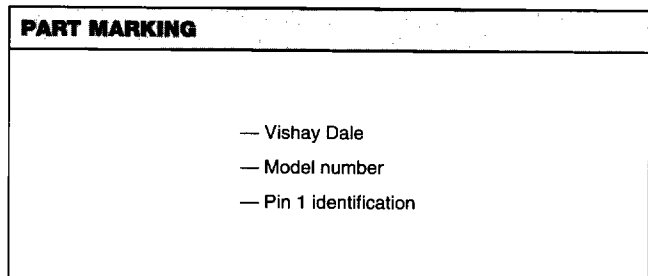
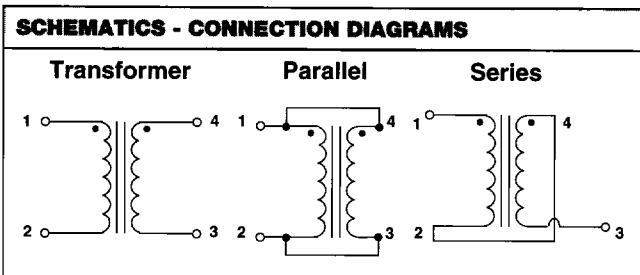
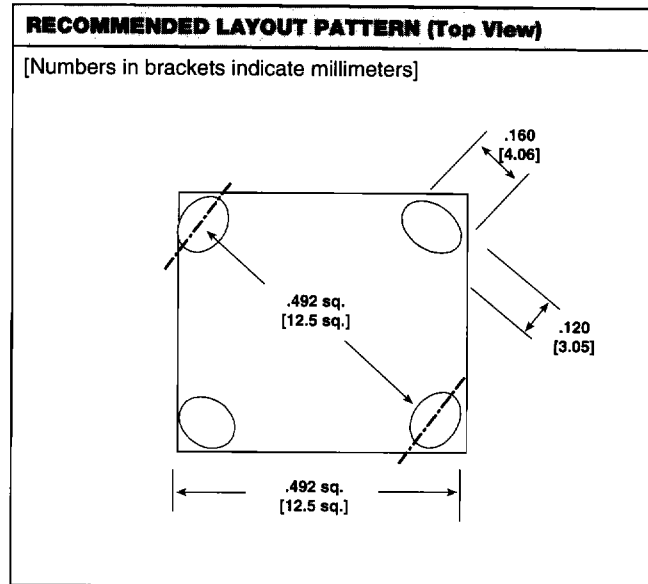
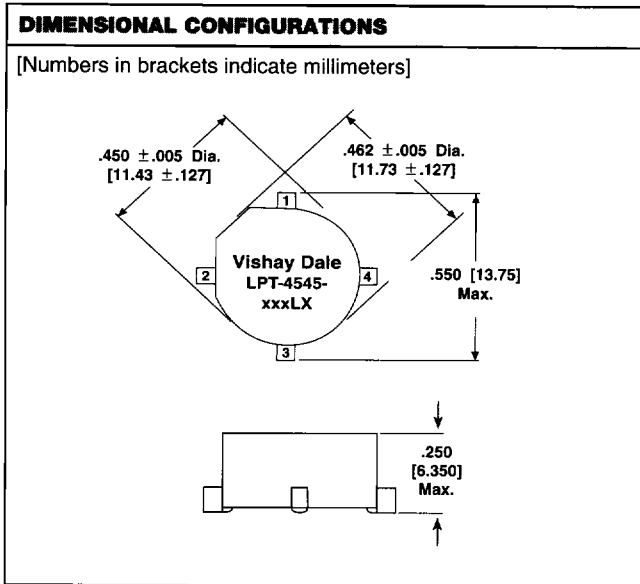
- Toroidal design for minimal EMI radiation in DC to DC converter applications.
- Designed to support the growing need for efficient DC to DC converters in battery operated equipment.
- Two separate windings provide versatility by ability to connect windings in series or parallel.
- Supplied on tape and reel and is designed to be pick and place compatible.
- Custom versions available. Contact the factory with your specifications.
- Half and quarter height parts available upon request.

STANDARD ELECTRICAL SPECIFICATIONS

MODEL LA=KOOL-MU® CORE	STANDARD INDUCTANCE VALUES	ACTUAL INDUCTANCE – μH (L _{OC}) // ± 15%	RATED IDC // (40°C†)	INDUCTANCE @ IDC (L _{BIAS}) // [30%]	DCR // Ω
LPT-4545-1R0LA	1	0.832	6.90	0.51 @ 7.62	0.003
LPT-4545-1R5LA	1.8	1.30	6.45	0.80 @ 6.10	0.004
LPT-4545-2R5LA	3.2	2.55	5.75	1.57 @ 4.35	0.006
LPT-4545-3R3LA	3.3	3.33	5.50	2.05 @ 3.81	0.007
LPT-4545-5R0LA	4.7	5.20	4.45	3.20 @ 3.05	0.011
LPT-4545-100LA	10	10.2	3.45	6.28 @ 2.18	0.019
LPT-4545-150LA	15	15.0	2.79	9.26 @ 1.79	0.029
LPT-4545-250LA	27	25.2	2.25	15.5 @ 1.39	0.048
LPT-4545-330LA	33	32.5	1.85	20.0 @ 1.22	0.068
LPT-4545-500LA	47	50.0	1.50	30.8 @ 0.98	0.107
LPT-4545-101LA	100	101	1.15	62.0 @ 0.69	0.195
LPT-4545-551LA	150	152	0.92	93.4 @ 0.56	0.302
LPT-4545-251LA	250	248	0.73	153.0 @ 0.44	0.491
LPT-4545-331LA	330	333	0.60	205.0 @ 0.38	0.706
LB=POWDER IRON					
LPT-4545-1R0LB	1	0.838	6.61	0.53 @ 7.09	0.004
LPT-4545-1R5LB	1.8	1.21	6.08	0.76 @ 5.91	0.005
LPT-4545-2R5LB	3.2	2.71	5.01	1.71 @ 3.94	0.009
LPT-4545-3R3LB	3.3	3.35	4.22	2.11 @ 3.54	0.012
LPT-4545-5R0LB	4.7	5.66	3.32	3.57 @ 2.73	0.019
LPT-4545-100LB	10	10.9	2.52	6.84 @ 1.97	0.034
LPT-4545-150LB	15	14.8	2.10	9.31 @ 1.69	0.049
LPT-4545-250LB	27	26.3	1.61	16.5 @ 1.27	0.084
LPT-4545-330LB	33	34.3	1.34	21.6 @ 1.11	0.119
LPT-4545-500LB	47	51.0	1.09	32.1 @ 0.91	0.180
LPT-4545-101LB	100	105	0.81	66.2 @ 0.63	0.342
LPT-4545-151LB	150	150	0.66	94.7 @ 0.53	0.509
LPT-4545-251LB	250	248	0.52	156.0 @ 0.41	0.831
LPT-4545-331LB	330	335	0.43	211.0 @ 0.35	10.194
LC=MMP					
LPT-4545-1R0LC	1	0.838	7.54	0.54 @ 11.11	0.004
LPT-4545-1R5LC	1.8	1.30	6.82	0.84 @ 8.89	0.004
LPT-4545-2R5LC	3.2	2.55	5.84	1.64 @ 6.35	0.007
LPT-4545-3R3LC	3.3	3.33	5.49	2.14 @ 5.56	0.008
LPT-4545-5R0LC	4.7	5.20	4.37	3.35 @ 4.45	0.012
LPT-4545-100LC	10	10.2	3.32	6.56 @ 3.18	0.022
LPT-4545-150LC	15	15.0	2.69	9.68 @ 2.61	0.033
LPT-4545-250LC	27	25.2	2.12	16.2 @ 2.02	0.054
LPT-4545-330LC	33	32.5	1.76	20.9 @ 1.78	0.076
LPT-4545-500LC	47	50.0	1.41	32.2 @ 1.43	0.119
LPT-4545-101LC	100	101	1.07	64.8 @ 1.01	0.219
LPT-4545-151LC	150	152	0.86	97.7 @ 0.82	0.340
LPT-4545-251LC	250	248	0.67	159.0 @ 0.64	0.551
LPT-4545-331LC	330	333	0.56	214.0 @ 0.56	0.788

Models LPT-4545-xxxLA, LB, LC

Vishay Dale



HOW TO ORDER

<u>LPT</u> MODEL	<u>4545</u> SIZE	<u>100</u> INDUCTANCE VALUE (μ H)	<u>$\pm 15\%$</u> INDUCTANCE TOLERANCE	<u>LA/LB/LC</u> CORE/HEIGHT LA = KOOL-MU® LB = POWDER IRON LC = MMP
---------------------	---------------------	--	--	---

PACKAGING [Numbers in brackets indicate millimeters]

Pocket Tape Orientation

Carrier Tape Width	.945 [24.0]
Pitch	.630 [16.0]
Parts per 13" [330.2] Reel	600

All embossed carrier tape packaging will be in compliance with the latest revision of EIA-481.