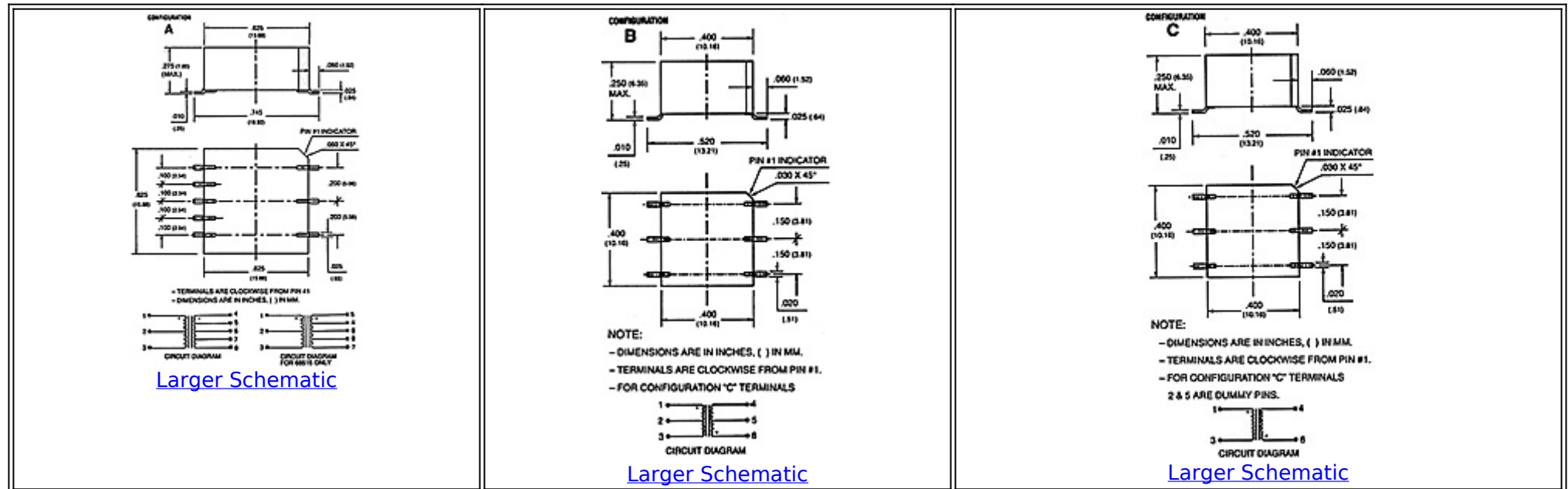


# Electrical Equivalents of QPL-MIL-PRF-21038/27

Units are manufactured to MIL-PRF-21038.

## Specifications

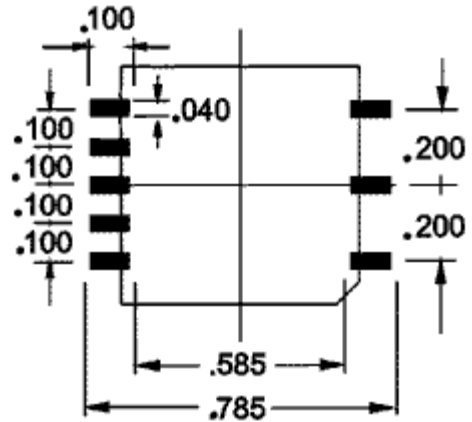
- These units are in strict compliance to MIL-PRF-21038/27.
- **IMPEDANCE:** Minimum value shown in table. These values will be met from 75 kHz to 1MHz over temp. range of -55° C to +130° C.
- **DROOP:** 20% max.
- **OVERSHOOT:** 1V peak.
- **COMMON MODE REJECTION (CMR):** 45db minimum.
- **DIELECTRIC STRENGTH:** 100 V RMS.
- **INSULATION RESISTANCE:** 1K megohms min. at 100 V DC.
- **WEIGHT:** 5 grams max.
- **CASE:** epoxy
- **MOISTURE SENSITIVITY LEVEL:** MSL3
- **Terminals:** Meets Solderability per MIL-STD-202, Method 208.



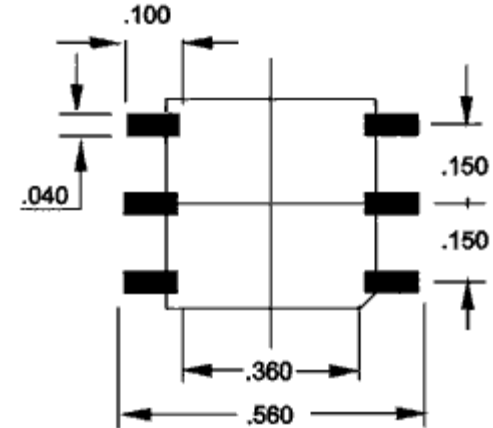
Electrical Characteristics and Dimensions								
PICO PART NUMBER	TURNS RATIO	PRIMARY	SECONDARY	DC RESISTANCE OHMS		IMPEDANCE OHMS (MIN)	CONFIGURATION	PICO PRICE 1-4
				(MAX)				
68500	1:1 ±3% 1:1.707 ±3%	1-3 1-3	4-8 5-7	1-3 4-8	3.0 3.0	(1-3) 4,000	A	109.85
68505	1.4:1 ±3% 2:1 ±3%	1-3 1-3	4-8 5-7	1-3 4-8	3.5 3.0	(1-3) 7,200	A	120.82
68510	1.25:1 ±3% 1.66:1 ±3%	1-3 1-3	4-8 5-7	1-3 4-8	3.2 3.0	(1-3) 4,000	A	109.85
68515	2.3:1 ±3% 3.2:1 ±3%	4-8 5-7	1-3 1-3	1-3 4-8	1.2 3.0	(5-7) 3,000	A	109.85
68520	1:1.41 ±3%	1-3	4-6	1-3 4-6	2.2 2.7	(4-6) 3,000	C	80.18
68525	1:1 ±3%	1-3	4-6	1-3 4-6	2.5 2.8	(1-3) 3,000	B	80.18
68530	1:1.41 ±3%	1-3	4-6	1-3 4-6	2.2 2.7	(4-6) 3,000	B	80.18
68535	1:1.66 ±3%	1-3	4-6	1-3 4-6	1.5 2.4	(4-6) 3,000	B	80.18
68540	1:2 ±3%	1-3	4-6	1-3 4-6	1.3 2.6	(4-6) 3,000	B	80.18
68545	2.12:1 ±3% 1.5:1 ±3%	4-8 5-7	1-3 1-3	1-3 4-8	1.0 3.5	(4-8) 4,000	A	109.85
68550	1:2.5 ±3% 1:1.79 ±3%	1-3 1-3	4-8 5-7	1-3 4-8	1.0 3.5	(4-8) 4,000	A	109.85
68555	1:1.5 ±3%	1-3	4-6	1-3 4-6	.90 2.5	(4-6) 3,000	B	80.18
68560	1:1.79 ±3%	1-3	4-6	1-3 4-6	.90 2.5	(4-6) 3,000	B	80.18
68565	1:2.5 ±3%	1-3	4-6	1-3 4-6	1.0 2.8	(4-6) 3,000	B	80.18

[Click Here For Thru Hole MIL-PRF Version of These Units](#)

## RECOMMENDED LAND PATTERN DIMENSIONS PICO 68500 ALP Series



## RECOMMENDED LAND PATTERN DIMENSIONS PICO 68500 BCLP Series



**Delivery - stock to one week for sample orders.**

---

For immediate engineering assistance or to place an order:  
**Call Toll Free: 800-431-1064**

## **PICO Electronics, Inc.**

143 Sparks Ave. Pelham, NY 10803-1810  
Tel: 914-738-1400 or Fax: 914-738-8225

[Go back to Surface Mount Transformers and Inductors menu](#)