



Raychem

TE Internal #: 5102433001

Hook Up Wire, FlexLite, 600V Voltage Rating, Blue Wire Color, 20AWG Wire Size, .75mm² Wire Size, Operating Temperature Range -65 – 150 °C

[View on TE.com >](#)

Wire & Cable > Hook Up Wire



Cable Type: **FlexLite**

Voltage Rating: **600 V**

Wire Color: **Blue**

Insulation Material: **Radiation-Crosslinked, Modified Polyalkene**

Conductor Material: **Tin-Plated Copper**

Features

Product Type Features

Product Type	Wire
Product Classification	Wire - Commercial
Cable Style	Primary, Stranded
Cable Type	FlexLite

Configuration Features

Number of Conductors	1
Number of Strands	19

Electrical Characteristics

Resistance (Max)	24.7 Ω/1000 ft @ 68°F
Voltage Rating	600 V

Body Features

Weight	8.2 kg/km
Wire Color	Blue
Insulation Material	Radiation-Crosslinked, Modified Polyalkene
Conductor Material	Tin-Plated Copper

Dimensions

Conductor Size	.75 mm ²
----------------	---------------------



Wire Diameter	1.524 mm[.06 in]
Conductor Diameter Range	1.05 – 1.15 mm[.041 – .045 in]
Overall Outside Diameter	1.56 mm[.0615 in]
Overall Outside Diameter Range	1.41 – 1.56 mm[.055 – .061 in]
Conductor Diameter	1.1 mm[.044 in]
Strand Size	32 AWG
Wire Size	.75 mm ²

Usage Conditions

Operating Temperature Range	-65 – 150 °C
-----------------------------	--------------

Product Compliance

[For compliance documentation, visit the product page on TE.com>](#)

EU RoHS Directive 2011/65/EU	Compliant
EU ELV Directive 2000/53/EC	Compliant
China RoHS 2 Directive MIIT Order No 32, 2016	No Restricted Materials Above Threshold
EU REACH Regulation (EC) No. 1907/2006	Current ECHA Candidate List: JUN 2020 (209) Candidate List Declared Against: JUN 2020 (209) Does not contain REACH SVHC
Halogen Content	Out of Scope - excluded from Halogen requirements
Solder Process Capability	Not applicable for solder process capability

Product Compliance Disclaimer

This information is provided based on reasonable inquiry of our suppliers and represents our current actual knowledge based on the information they provided. This information is subject to change. The part numbers that TE has identified as EU RoHS compliant have a maximum concentration of 0.1% by weight in homogenous materials for lead, hexavalent chromium, mercury, PBB, PBDE, DBP, BBP, DEHP, DIBP, and 0.01% for cadmium, or qualify for an exemption to these limits as defined in the Annexes of Directive 2011/65/EU (RoHS2). Finished electrical and electronic equipment products will be CE marked as required by Directive 2011/65/EU. Components may not be CE marked. Additionally, the part numbers that TE has identified as EU ELV compliant have a maximum concentration of 0.1% by weight in homogenous materials for lead, hexavalent chromium, and mercury, and 0.01% for cadmium, or qualify for an exemption to these limits as defined in the Annexes of Directive 2000/53/EC (ELV). Regarding the REACH Regulation, the information TE provides on SVHC in articles for this part number is based on the latest European Chemicals Agency (ECHA) 'Guidance on requirements for substances in articles' posted at this URL: <https://echa.europa.eu/guidance-documents/guidance-on-reach>

Compatible Parts



TE Model / Part # 650075-000
D-436-37

Customers Also Bought



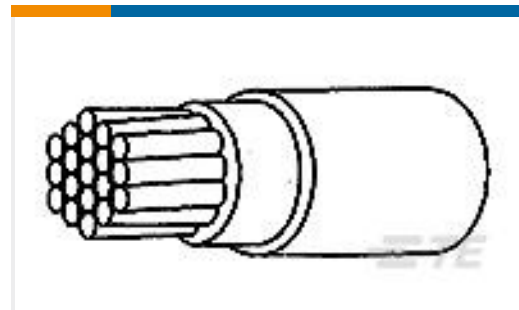
TE Model / Part #2-1623774-4
C14 220R 5% (LOOSE)



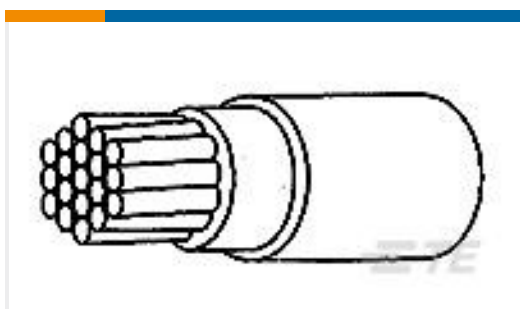
TE Model / Part #4-1879314-5
DPL12S 24P 24DET 25K RD/GRN



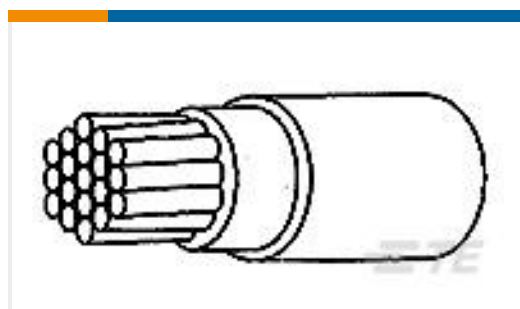
TE Model / Part #4-1676915-8
YR1 0.1% 9K76



TE Model / Part #5449653001
FLT0111-0.50-9



TE Model / Part #8090253001
FLT0111-0.75-2



TE Model / Part #6085613001
FLT0111-0.75-0



TE Model / Part #710979-1
XCT 4-6



TE Model / Part #710032-6
XCT 6-8



TE Model / Part #EC0718-000
06163934



TE Model / Part #EC0719-000
06163935

Documents

Product Drawings

[FLT0111-0.75-6](#)

English

Datasheets & Catalog Pages

[1654025_Sec9_FlexLite](#)

English

[Wire and Cable Overview](#)

English

FLT0111-0.75-6

Hook Up Wire, FlexLite, 600V Voltage Rating, Blue Wire Color, 20AWG Wire Size, .75mm² Wire Size, Operating Temperature Range -65 – 150 °C

