



# ZADCS1282/1242/1222

## 12-Bit, 200ksps, Serial Output ADC Family

Datasheet

### Features

- **Single Supply Operation:**  
+ 2.7V ... + 5.25V
- **Family approach providing**  
2 / 4 / 8-Channel Single-Ended or  
1 / 2 / 4-Channel Differential Inputs
- **Up to 200ksps Conversion Rate**
- **± 1 LSB INL and DNL**
- **No Missing Codes**
- **> 70 dB SINAD**
- **True fully differential Operation**
- **Software-Configurable Unipolar or Bipolar output coding**
- **Internal 3.2MHz oscillator for independent operation from external clock**
- **Internal 2.5V Reference**
- **Low Power**
  - < 1.2mA (200ksps, 5V supply)
  - < 0.5µA (power-down mode)
- **SPI™ / QSPI™ / MICROWIRE™ - compatible 4-Wire Serial Interface**
- **14 / 16 / 20-Pin SSOP**

### Description

The ZADCS12x2 family is a set of low power, 12-bit, successive approximation analog-to-digital (A/D) converters with up to 200ksps conversion rate, two up to eight input channels, high-bandwidth track/hold and synchronous serial interface.

The ADCs operate from a single + 2.7V to + 5.25V supply. Their analog inputs are software configurable for unipolar/bipolar and single-ended/differential operation.

The 4-wire serial interface connects directly to SPI™/ (QSPI™ and MICROWIRE™) devices without external logic.

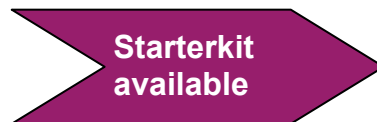
All family devices can use either the external serial-interface clock or an internal clock to perform successive-approximation analog-to-digital conversions. The internal clock can be used to run independent conversions on more than one device in parallel.

The ZADCS12x2V versions are equipped with a highly accurate internal 2.5V reference with an additional external ±1.5% voltage adjustment range.

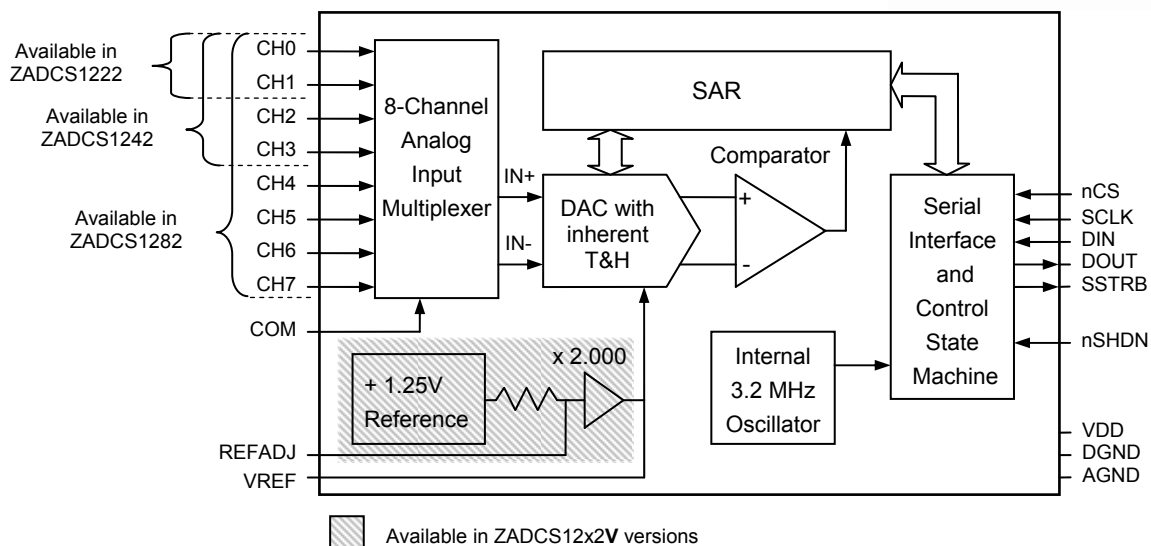
All members of the ZADCS12x2 family provide a hard-wired shut-down pin (nSHDN) pin and software-selectable power-down modes that can be programmed to automatically shut down the IC at the end of a conversion. Accessing the serial interface automatically powers up the IC. A quick turn-on time allows the device to be shut down between all conversions.

### Applications

- Data Acquisition
- Industrial Process Control
- Portable Data Logging
- Battery-Powered Systems



### Functional Block Diagram



<b>Table of Contents</b>	<b>Page</b>
<b>1 GENERAL DEVICE SPECIFICATION</b> .....	<b>3</b>
1.1 ABSOLUTE MAXIMUM RATINGS (NON OPERATING) .....	3
1.2 PACKAGE PIN ASSIGNMENT ZADCS1282 / ZADCS1282V .....	4
1.3 PACKAGE PIN ASSIGNMENT ZADCS1242 / ZADCS1242V .....	5
1.4 PACKAGE PIN ASSIGNMENT ZADCS1222 / ZADCS1222V .....	6
1.5 ELECTRICAL CHARACTERISTICS.....	7
<b>1.5.1 General Parameters</b> .....	7
<b>1.5.2 Specific Parameters of versions with Internal Voltage Reference</b> .....	8
<b>1.5.3 Specific Parameters of versions without Internal Voltage Reference</b> .....	9
<b>1.5.4 Digital Pin Parameters</b> .....	9
1.6 TYPICAL OPERATING CHARACTERISTICS .....	10
<b>2 DETAILED DESCRIPTION</b> .....	<b>12</b>
2.1 GENERAL OPERATION.....	12
2.2 ANALOG INPUT .....	12
2.3 INTERNAL & EXTERNAL REFERENCE .....	14
2.4 DIGITAL INTERFACE .....	14
2.5 POWER DISSIPATION .....	19
<b>3 LAYOUT</b> .....	<b>19</b>
<b>4 PACKAGE DRAWING</b> .....	<b>21</b>
<b>5 ORDERING INFORMATION</b> .....	<b>22</b>
<b>6 ZMDI CONTACT</b> .....	<b>22</b>

### Important Notice:

The information furnished herein by ZMDI is believed to be correct and accurate as of the publication date. However, ZMDI shall not be liable to any party for any damages, including but not limited to personal injury, property damage, loss of profits, loss of use, interruption of business, or indirect, special, incidental, or consequential damages of any kind in connection with or arising out of the furnishing, performance, or use of the technical data. No obligation or liability to any third party shall arise from ZMDI's rendering technical or other services.

Products sold by ZMDI are covered exclusively by the ZMDI's standard warranty, patent indemnification, and other provisions appearing in ZMDI's standard "Terms & Conditions". ZMDI makes no warranty (express, statutory, implied and/or by description), including without limitation any warranties of merchantability and/or fitness for a particular purpose, regarding the information set forth in the materials pertaining to ZMDI products, or regarding the freedom of any products described in such materials from patent and/or other infringement.

ZMDI reserves the right to discontinue production and change specifications and prices, make corrections, modifications, enhancements, improvements and other changes of its products and services at any time without notice. ZMDI products are intended for use in commercial applications. Applications requiring extended temperature range, unusual environmental requirements, or high reliability applications, such as military, medical life-support or life-sustaining equipment, are specifically not recommended without additional mutually agreed-upon processing by ZMDI for such applications. ZMDI assumes no liability for application assistance or customer product design. Customers are responsible for their products and applications using ZMDI components.

SPI and QSPI are registered trademarks of Motorola, Inc. MICROWIRE is a registered trademark of National Semiconductor Corp.

Please notice that values specified as typical may differ from product to product. The values listed under min or max are guaranteed by design or test.

# 1 General Device Specification

## 1.1 Absolute Maximum Ratings (Non Operating)

Table 1: Absolute Maximum Ratings

Symbol	Parameter	Min	Max	Unit	Note
V <sub>DD-GND</sub>	VDD to AGND, DGND	-0.3	6	V	
V <sub>AGND-DGND</sub>	AGND to DGND	-0.3	0.3	V	
	CH0 – CH7, COM to AGND, DGND	-0.3	VDD+0.3	V	
	VREF, VREFADJ to AGND	-0.3	VDD+0.3	V	
	Digital Inputs to DGND	-0.3	6	V	
	Digital Outputs to DGND	-0.3	VDD+0.3	V	
	Digital Output Sink Current		25	mA	
I <sub>in</sub>	Input current into any pin except supply pins (Latch-Up)	-100	100	mA	
V <sub>HBM</sub>	Electrostatic discharge – Human Body Model (HBM)	2000		V	1
θ <sub>JCT</sub>	Maximum Junction Temperature		+150°	°C	
θ <sub>OP</sub>	Operating Temperature Range ZADCS12x2VIS20 / ZADCS12x2IS20 ZADCS12x2VQS20 / ZADCS12x2QS20	-25	+85	°C	
		-40	+125	°C	
θ <sub>STG</sub>	Storage temperature	-65	+150	°C	
θ <sub>lead</sub>	Lead Temperature 100%Sn	JEDEC-J-STD-20C 260		°C	
H	Humidity non-condensing				2
P <sub>tot</sub>	Total power dissipation		250	mW	
R <sub>thj</sub>	Thermal resistance of Package SSOP20 / 5.3mm		100	K/W	

1 HBM: C = 100pF charged to V<sub>HBM</sub> with resistor R = 1.5kΩ in series, valid for all pins

2 Level 4 according to JEDEC-020A is guaranteed

## 1.2 Package Pin Assignment ZADCS1282 / ZADCS1282V

Table 2: Pin list

Package pin number	Name	Direction	Type	Description
1	nCS	IN	CMOS Digital	Active Low Chip Select
2	DIN	IN	CMOS Digital	Serial Data Input
3	DGND		SUPPLY	Digital Ground
4	AGND		SUPPLY	Analog Ground
5	VREF	I/O	Analog	Reference Buffer Output / External Reference Input
6	COM	IN	Analog	Ground reference for analog inputs in single ended mode
7	CH0	IN	Analog	Analog Input Channel 0
8	CH1	IN	Analog	Analog Input Channel 1
9	CH4	IN	Analog	Analog Input Channel 4
10	CH5	IN	Analog	Analog Input Channel 5
11	CH7	IN	Analog	Analog Input Channel 7
12	CH6	IN	Analog	Analog Input Channel 6
13	CH3	IN	Analog	Analog Input Channel 3
14	CH2	IN	Analog	Analog Input Channel 2
15	REFADJ	I/O	Analog	Input to Reference Buffer Amplifier
16	VDD		SUPPLY	Positive Supply
17	nSHDN	IN	CMOS Digital	Active Low Shutdown
18	DOUT	OUT	CMOS Digital	Serial Data Output
19	SSTRB	OUT	CMOS Digital	Serial Strobe Output
20	SCLK	IN	CMOS Digital	Serial Clock Input

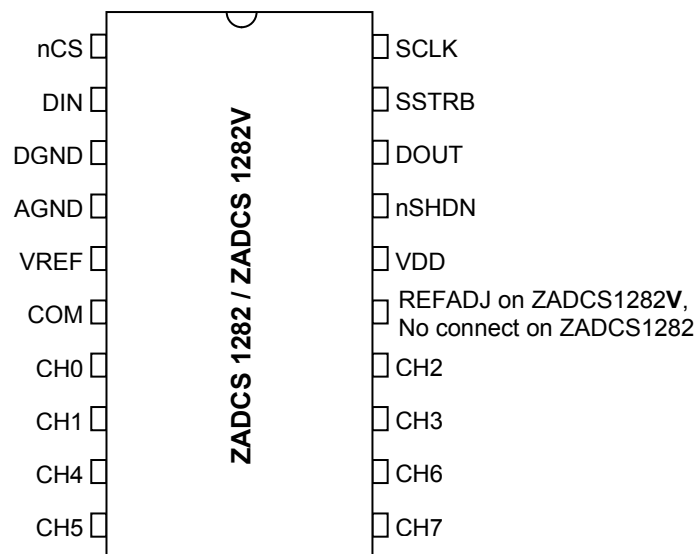
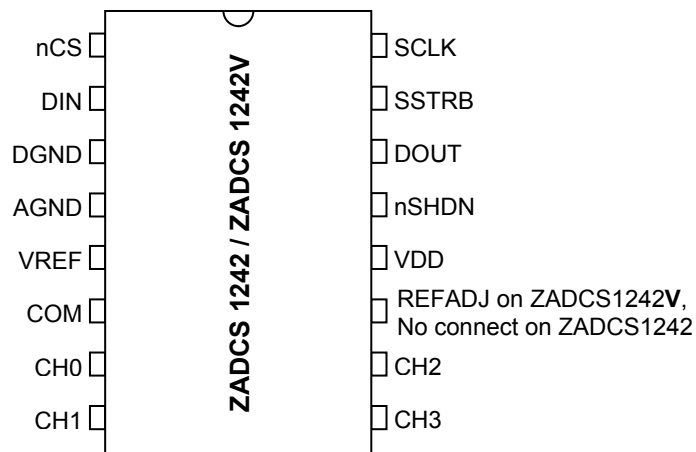


Figure 1: Package Pin Assignment for ZADCS1282 & ZADCS1282V

### 1.3 Package Pin Assignment ZADCS1242 / ZADCS1242V

**Table 3: Pin list**

Package pin number	Name	Direction	Type	Description
1	nCS	IN	CMOS Digital	Active Low Chip Select
2	DIN	IN	CMOS Digital	Serial Data Input
3	DGND		SUPPLY	Digital Ground
4	AGND		SUPPLY	Analog Ground
5	VREF	I/O	Analog	Reference Buffer Output / External Reference Input
6	COM	IN	Analog	Ground reference for analog inputs in single ended mode
7	CH0	IN	Analog	Analog Input Channel 0
8	CH1	IN	Analog	Analog Input Channel 1
9	CH3	IN	Analog	Analog Input Channel 3
10	CH2	IN	Analog	Analog Input Channel 2
11	REFADJ	I/O	Analog	Input to Reference Buffer Amplifier
12	VDD		SUPPLY	Positive Supply
13	nSHDN	IN	CMOS Digital	Active Low Shutdown
14	DOUT	OUT	CMOS Digital	Serial Data Output
15	SSTRB	OUT	CMOS Digital	Serial Strobe Output
16	SCLK	IN	CMOS Digital	Serial Clock Input



**Figure 2: Package Pin Assignment for ZADCS1242 & ZADCS1242V**

## 1.4 Package Pin Assignment ZADCS1222 / ZADCS1222V

Table 4: Pin list

Package pin number	Name	Direction	Type	Description
1	nCS	IN	CMOS Digital	Active Low Chip Select
2	DIN	IN	CMOS Digital	Serial Data Input
3	DGND		SUPPLY	Digital Ground
4	AGND		SUPPLY	Analog Ground
5	VREF	I/O	Analog	Reference Buffer Output / External Reference Input
6	COM	IN	Analog	Ground reference for analog inputs in single ended mode
7	CH0	IN	Analog	Analog Input Channel 0
8	CH1	IN	Analog	Analog Input Channel 1
9	REFADJ	I/O	Analog	Input to Reference Buffer Amplifier
10	VDD		SUPPLY	Positive Supply
11	nSHDN	IN	CMOS Digital	Active Low Shutdown
12	DOUT	OUT	CMOS Digital	Serial Data Output
13	SSTRB	OUT	CMOS Digital	Serial Strobe Output
14	SCLK	IN	CMOS Digital	Serial Clock Input

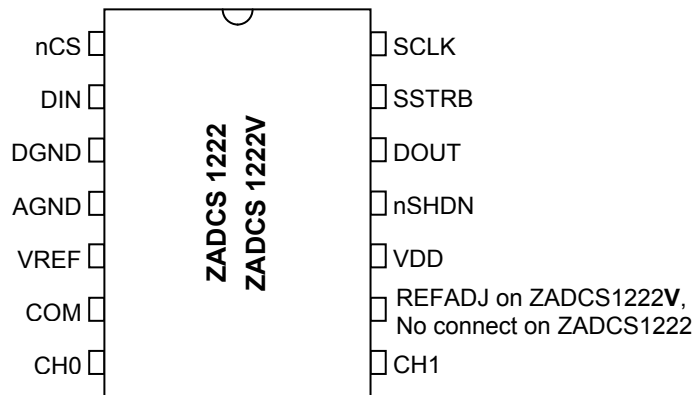


Figure 3: Package Pin Assignment for ZADCS1222 & ZADCS1222V

## 1.5 Electrical Characteristics

### 1.5.1 General Parameters

(VDD = +2.7V to + 5.25V; f<sub>SCLK</sub> = 3.2MHz (50% duty cycle); 16 clocks/conversion cycle (200 ksps); V<sub>REF</sub> = 2.500V applied to VREF pin;  $\theta_{OP} = \theta_{OPmin} \dots \theta_{OPmax}$ )

Parameter	Symbol	Conditions	Min	Typ	Max	Unit
<b>DC Accuracy</b>						
Resolution			12			Bits
Relative Accuracy		ZADCS1282 / ZADCS1282V ZADCS1242 / ZADCS1242V ZADCS1222 / ZADCS1222V			± 1.0	LSB
No Missing Codes	NMC		12			Bits
Differential Nonlinearity		ZADCS1282 / ZADCS1282V ZADCS1242 / ZADCS1242V ZADCS1222 / ZADCS1222V			± 1.0	LSB
Offset Error			± 0.5		± 3.0	LSB
Gain Error			± 0.5		± 4.0	LSB
Gain Temperature Coefficient			± 0.25			ppm/°C
<b>Dynamic Specifications (10kHz sine-wave input, 0V to 2.500Vpp, 200ksps, 3.2MHz external clock)</b>						
Signal-to-Noise + Distortion Ratio	SINAD		70	73		dB
Total Harmonic Distortion	THD	Up to the 5 <sup>th</sup> harmonic			-88 -80	dB
Spurious-Free Dynamic Range	SFDR		76	80		dB
Small-Signal Bandwidth		-3dB roll off			3.8	MHz
<b>Conversion Rate</b>						
Sampling Time (= Track/Hold Acquisition Time)	t <sub>ACQ</sub>	Ext. Clock = 3.2MHz, 2.5 clocks/ acquisition	0.781			µs
Conversion Time	t <sub>CONV</sub>	Ext. Clock = 3.2MHz, 12 clocks/ conversion			3.75	µs
		Int. Clock = 3.2MHz +/- 12% tolerance	3.30		4.20	µs
Aperture Delay			30			ns
Aperture Jitter			< 50			ps
External Clock Frequency			0.1		3.2	MHz
Internal Clock Frequency			2.81	3.2	3.58	MHz
<b>Analog Inputs</b>						
Input Voltage Range, Single-Ended and Differential		Unipolar, COM = 0V	0 to VREF		V	
		Bipolar, COM = VREF/2	± VREF / 2			
Input Capacitance			16			pF

### 1.5.2 Specific Parameters of versions with Internal Voltage Reference (ZADCS12x2V)

(VDD = +2.7V to + 5.25V; f<sub>SCLK</sub> = 3.2MHz (50% duty cycle); 16 clocks/conversion cycle (200 ksps); θ<sub>OP</sub> = θ<sub>OPmin</sub> ... θ<sub>OPmax</sub>)

Parameter	Symbol	Conditions	Min	Typ	Max	Unit
<b>Internal Reference at VREF</b>						
VREF Output Voltage		T <sub>A</sub> = + 25°C	2.480	2.500	2.520	V
VREF Short-Circuit Current					30	mA
VREF Temperature Coefficient				± 20	± 30	ppm/°C
Load Regulation		0 to 0.2mA output load		0.35		mV
Capacitive Bypass at VREF			4.7			µF
Capacitive Bypass at REFADJ			0.047			µF
REFADJ Adjustment Range				± 1.5		%
<b>External Reference at VREF (internal buffer disabled by V(REFADJ) = VDD)</b>						
VREF Input Voltage Range			1.0		VDD + 50mV	V
VREF Input Current		VREF = 2.5V		180	215	µA
VREF Input Resistance			11.5	14		kΩ
Shutdown VREF Input Current					0.1	µA
REFADJ Buffer Disable Threshold			VDD-0.5			V
<b>External Reference at VREF_ADJ</b>						
Reference Buffer Gain				2.00		
VREF_ADJ Input Current					±80	µA
Full Power Down VREFADJ Input Current		Full Power-Down mode			0.1	µA
<b>Power Requirements</b>						
Positive Supply Voltage	VDD		2.7		5.25	V
Positive Supply Current ZADCS1282VI ZADCS1242VI ZADCS1222VI	IDD	VDD=3.6V	Operating Mode ext. VREF	0.85	1.0	mA
			Operating Mode int. VREF	1.3	1.4	mA
			Fast Power-Down	250	300	µA
			Full Power-Down	0.5	4.0	µA
Positive Supply Current ZADCS1282VI ZADCS1242VI ZADCS1222VI	IDD	VDD=5.2V	Operating Mode ext. VREF	1.00	1.3	mA
			Operating Mode int. VREF	1.40	1.6	mA
			Fast Power-Down	250	300	µA
			Full Power-Down	0.5	4.0	µA
Positive Supply Current ZADCS1282VQ ZADCS1242VQ ZADCS1222VQ	IDD	VDD=3.6V	Operating Mode ext. VREF	0.85	1.1 <sup>1)</sup>	mA
			Operating Mode int. VREF	1.3	1.5 <sup>1)</sup>	mA
			Fast Power-Down	250	350 <sup>1)</sup>	µA
			Full Power-Down	0.5	15 <sup>1)</sup>	µA
Positive Supply Current ZADCS1282VQ ZADCS1242VQ ZADCS1222VQ	IDD	VDD=5.2V	Operating Mode ext. VREF	1.00	1.4 <sup>1)</sup>	mA
			Operating Mode int. VREF	1.40	1.7 <sup>1)</sup>	mA
			Fast Power-Down	250	350 <sup>1)</sup>	µA
			Full Power-Down	0.5	20 <sup>1)</sup>	µA

<sup>1)</sup> relaxed maximum limits are due to wider temperature range of automotive qualified version ZADCS12x2VQ

### 1.5.3 Specific Parameters of versions without Internal Voltage Reference (ZADCS12x2)

(VDD = +2.7V to + 5.25V; f<sub>SCLK</sub> = 3.2MHz (50% duty cycle); 16 clocks/conversion cycle (200 ksps);  $\theta_{OP} = \theta_{OPmin} \dots \theta_{OPmax}$ )

Parameter	Symbol	Conditions	Min	Typ	Max	Unit	
<b>External Reference at VREF</b>							
VREF Input Voltage Range			1.0		VDD + 50mV	V	
VREF Input Current		VREF = 2.5V		180	215	µA	
VREF Input Resistance			11.5	14		kΩ	
Shutdown VREF Input Current					0.1	µA	
Capacitive Bypass at VREF			4.7			µF	
<b>Power Requirements</b>							
Positive Supply Voltage	VDD		2.7		5.25	V	
Positive Supply Current ZADCS1282I, ZADCS1242I, ZADCS1222I	IDD	VDD = 3.6V	Operating Mode		0.85	1.0	mA
			Full Power-Down		0.5	4.0	µA
Positive Supply Current ZADCS1282I, ZADCS1242I, ZADCS1222I	IDD	VDD = 5.25V	Operating Mode		1.00	1.3	mA
			Full Power-Down		0.5	4.0	µA
Positive Supply Current ZADCS1282Q, ZADCS1242Q, ZADCS1222Q	IDD	VDD = 3.6V	Operating Mode		0.85	1.0 <sup>1)</sup>	mA
			Full Power-Down		0.5	15 <sup>1)</sup>	µA
Positive Supply Current ZADCS1282Q, ZADCS1242Q, ZADCS1222Q	IDD	VDD = 5.25V	Operating Mode		1.00	1.3 <sup>1)</sup>	mA
			Full Power-Down		0.5	20 <sup>1)</sup>	µA

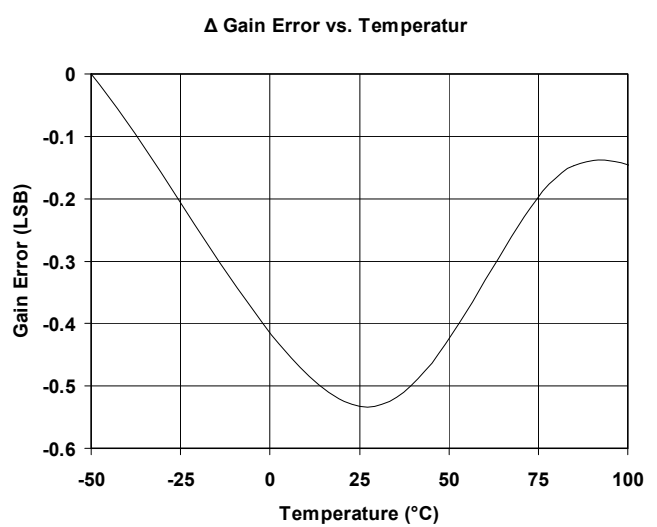
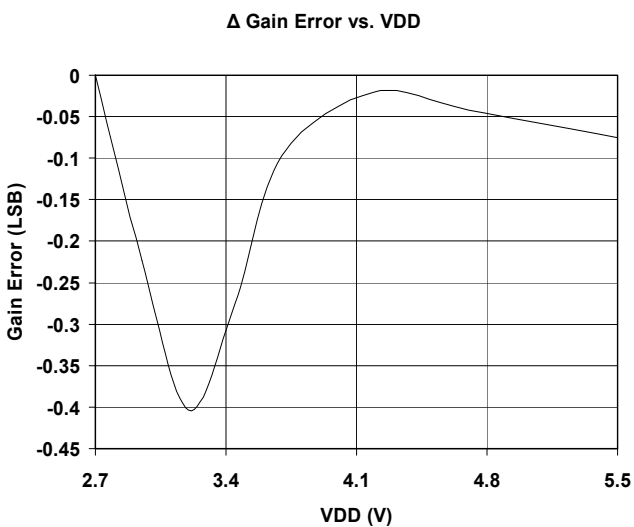
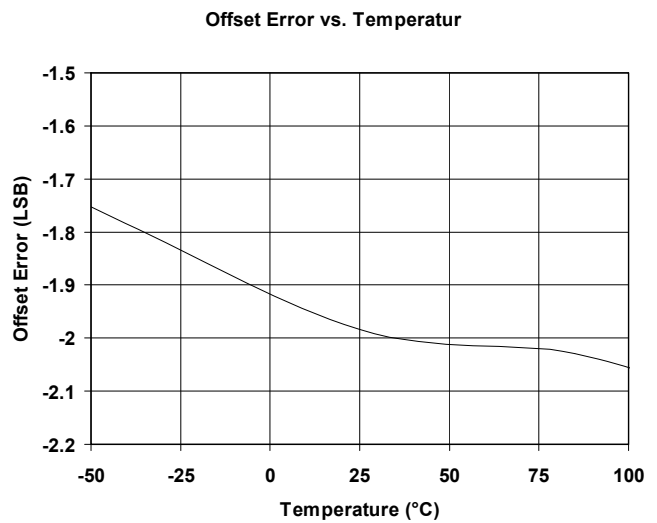
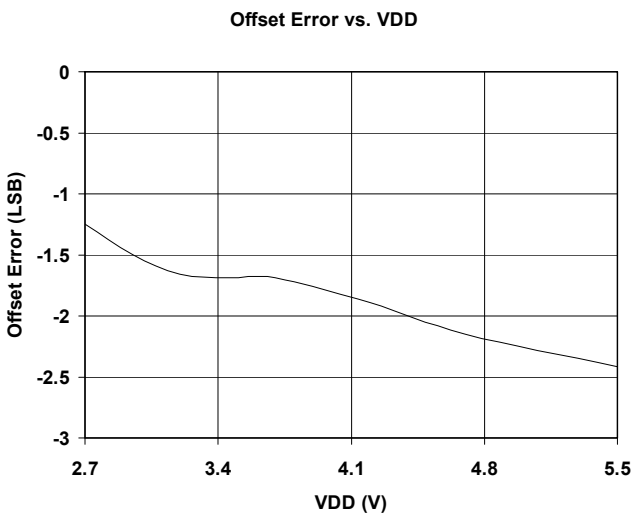
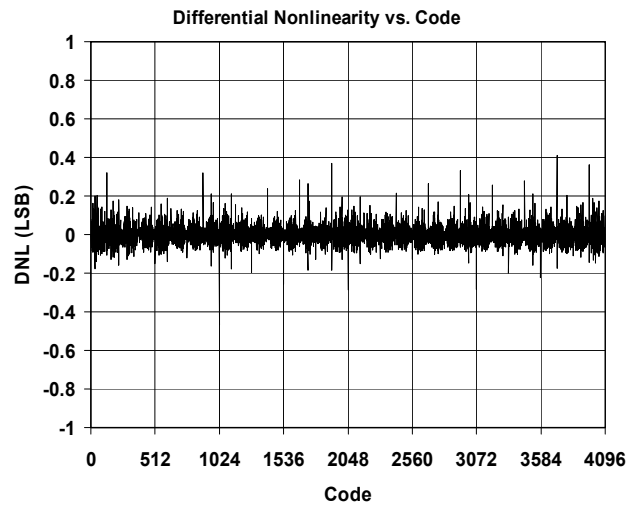
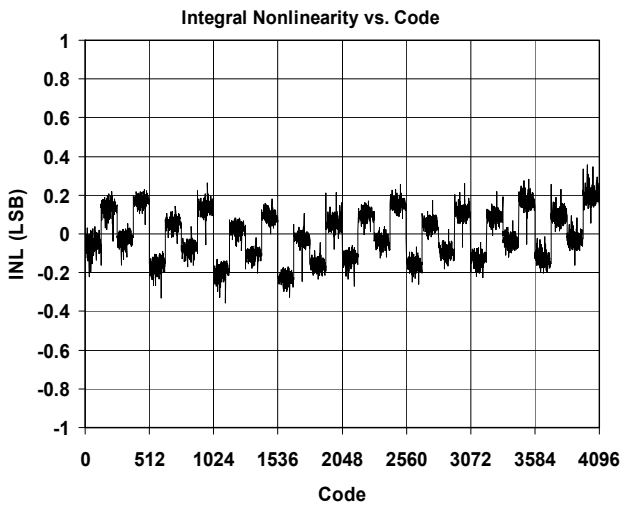
<sup>1)</sup> relaxed maximum limits are due to wider temperature range of automotive qualified version ZADCS12x2Q

### 1.5.4 Digital Pin Parameters

(VDD = +2.7V to + 5.25V; f<sub>SCLK</sub> = 3.2MHz (50% duty cycle); 16 clocks/conversion cycle (200 ksps);  $\theta_{OP} = \theta_{OPmin} \dots \theta_{OPmax}$ )

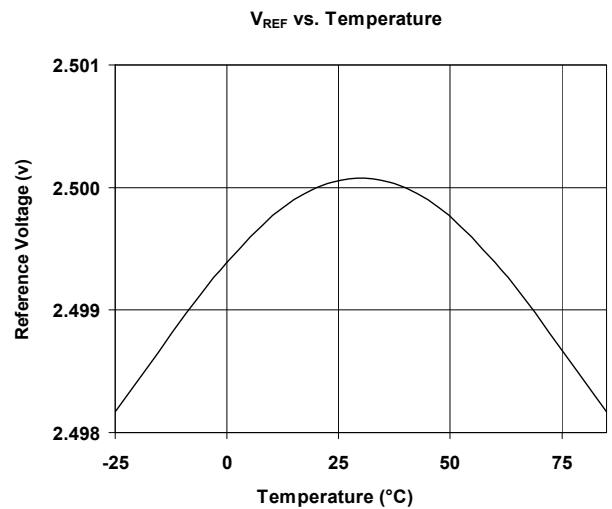
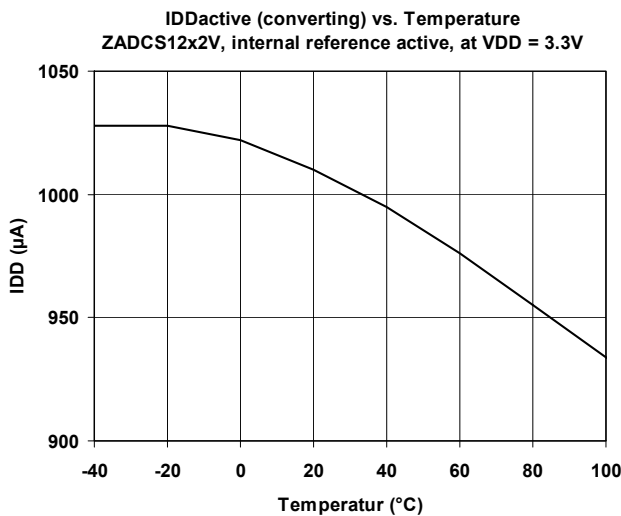
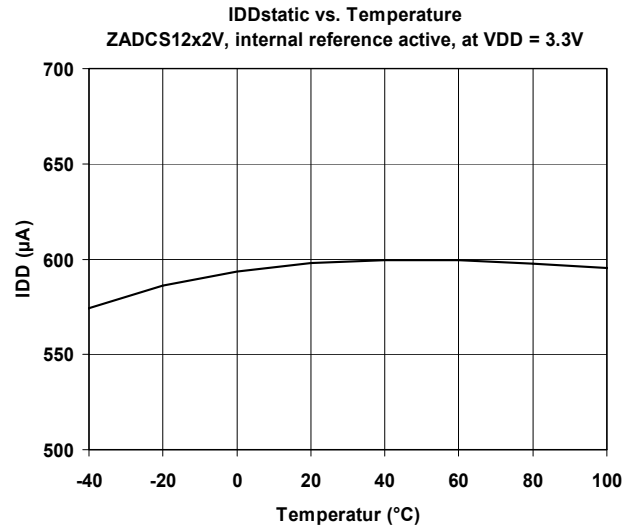
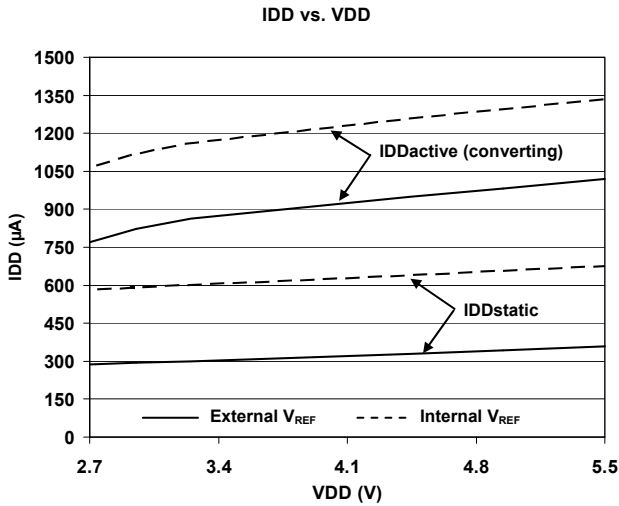
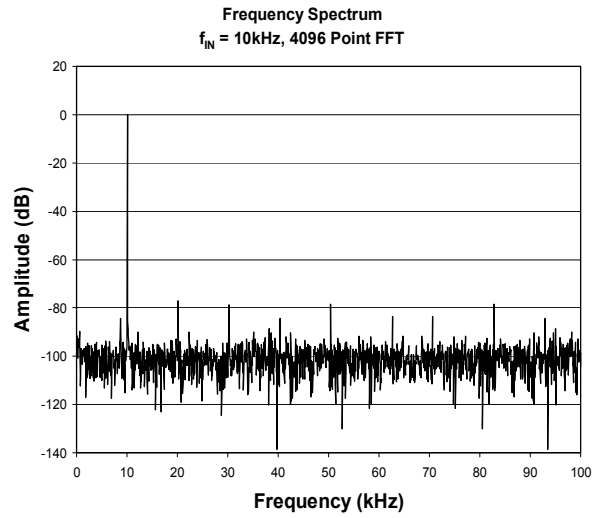
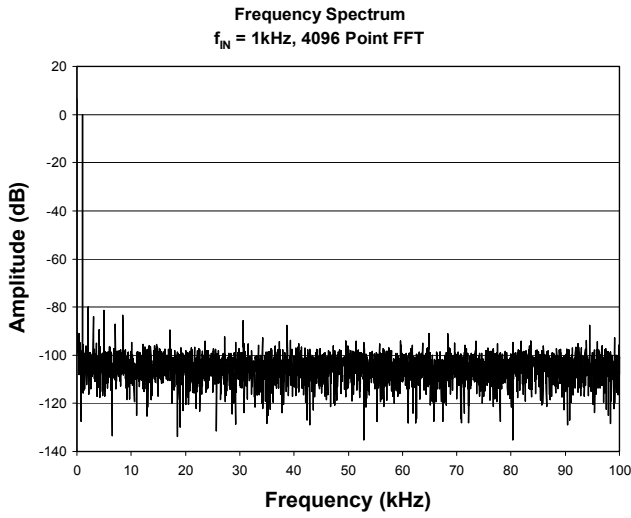
Parameter	Symbol	Conditions	Min	Typ	Max	Unit
<b>Digital Inputs (DIN, SCLK, CS, nSHDN)</b>						
Logic High Level	V <sub>IH</sub>	VDD = 2.7V	1.9			V
		VDD = 5.25V	3.3			V
Logic Low Level	V <sub>IL</sub>	VDD = 2.7V			0.7	V
		VDD = 5.25V			1.4	V
Hysteresis	V <sub>Hyst</sub>		0.7			V
Input Leakage	I <sub>IN</sub>	VIN = 0V or VDD		± 0.1	± 1.0	µA
Input Capacitance	C <sub>IN</sub>			5		pF
<b>Digital Output (DOUT, SSTRB)</b>						
Output High Current	I <sub>OH</sub>	V <sub>OH</sub> = VDD – 0.5V	VDD = 2.7V	3.5	8.5	mA
			VDD = 5.25V	5.5	10.8	mA
Output Low Voltage	I <sub>OL</sub>	V <sub>OL</sub> = 0.4V	VDD = 2.7V	4	11.5	mA
			VDD = 5.25V	6.4	15.3	mA
Three-State Leakage Current	I <sub>Leak</sub>	nCS = VDD		± 0.1	± 1.0	µA
Three-State Output Capacitance	C <sub>OUT</sub>	nCS = VDD		5		pF

## 1.6 Typical Operating Characteristics



**Datasheet**  
**ZADCS1282/1242/1222 Family**

(VDD = +5.0V;  $f_{\text{Sample}} = 200\text{kHz}$ ;  $f_{\text{CLK}} = 16 \cdot f_{\text{Sample}} = 3.2\text{MHz}$ ; VREF = 2.500V applied to VREF pin;  $\theta_{\text{OP}} = +25^\circ\text{C}$ )



## 2 DETAILED DESCRIPTION

### 2.1 General Operation

The ZADCS12x2 family is a set of classic successive approximation register (SAR) type converters. The architecture is based on a capacitive charge redistribution DAC merged with a resistor string DAC building a hybrid converter with excellent monotonicity and DNL properties. The Sample & Hold function is inherent to the capacitive DAC. This avoids additional active components in the signal path that could distort the input signal or introduce errors.

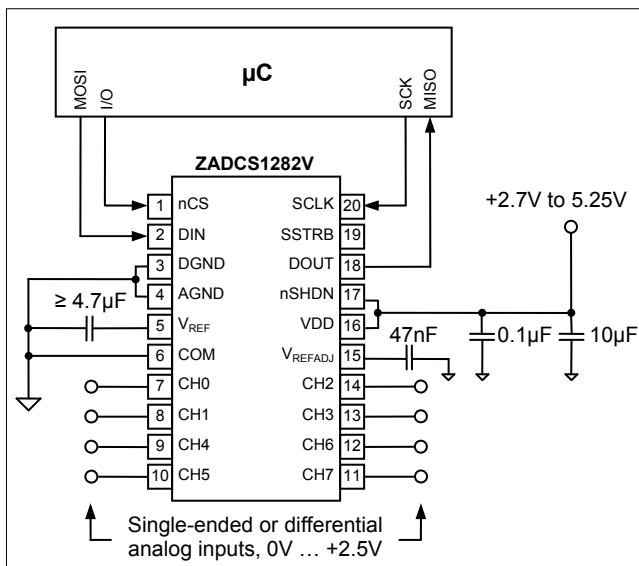
All devices in the ZADCS12x2 family build on the same converter core and differ only in the number of input channels and the availability of an internal reference voltage generator. The ZADCS12x2V versions are equipped with a highly accurate internal 1.25V bandgap reference which is available at the VREFADJ pin. The bandgap voltage is further amplified by an internal buffer amplifier to 2.50V that is available at pin VREF. All other versions come without the internal reference and the internal buffer amplifier. They require an external reference supplied at VREF, with the benefit of considerably lower power consumption.

A basic application schematic for ZADC1282V is shown in Figure 4, for ZADCS1282 in Figure 5. ZADCS1282V can also be operated with an external reference, if

**Table 5: Channel selection in Single Ended Mode (SGL/DIF = HIGH)**

A2	A1	A0	CH0	CH1	CH2	CH3	CH4	CH5	CH6	CH7	COM
0	0	0	IN+								IN-
1	0	0		IN+							IN-
0	0	1			IN+						IN-
1	0	1				IN+					IN-
0	1	0					IN+				IN-
1	1	0						IN+			IN-
0	1	1							IN+		IN-
1	1	1								IN+	IN-

**Figure 4: Basic application schematic for ZADCS1282V**



VREFADJ is tied to VDD.

### 2.2 Analog Input

The analog input to the converter is fully differential. Both converter input signals IN<sub>+</sub> and IN<sub>-</sub> (see Functional Block diagram at front page) get sampled during the acquisition period enabling the converter to be used in fully differential applications where both signals can vary over time.

The ZADCS12x2 family converters do not require that the negative input signal be kept constant within ±0.5LSB during the entire conversion as is commonly required by converters featuring pseudo differential operation only.

The input signals can be applied single ended, referenced to the COM pin, or differential, using pairs of the input channels. The desired configuration is selectable for every conversion via the Control-Byte received on DIN pin of the digital interface (see further description below)

A block diagram of the input multiplexer is shown in Figure 7. Table 5 and Table 6 show the relationship of the Control-Byte bits A2, A1, A0 and SGL/DIF to the configuration of the analog multiplexer. The entire table applies only to ZADCS1282 devices. For ZADCS1242 devices bit A1 is don't care, for ZADCS1222 devices A1 and A0 are don't care.

Both input signals IN<sub>+</sub> and IN<sub>-</sub> are generally allowed to swing between -0.2V and VDD+0.2V. However, depending on the selected conversion mode – unipolar or bi-

**Table 6: Channel selection in Differential Mode (SGL/DIF = LOW)**

A2	A1	A0	CH0	CH1	CH2	CH3	CH4	CH5	CH6	CH7
0	0	0	IN+	IN-						
0	0	1			IN+	IN-				
0	1	0					IN+	IN-		
0	1	1							IN+	IN-
1	0	0	IN-	IN+						
1	0	1			IN-	IN+				
1	1	0					IN-	IN+		
1	1	1							IN-	IN+

**Figure 5: Basic application schematic for ZADCS1282**

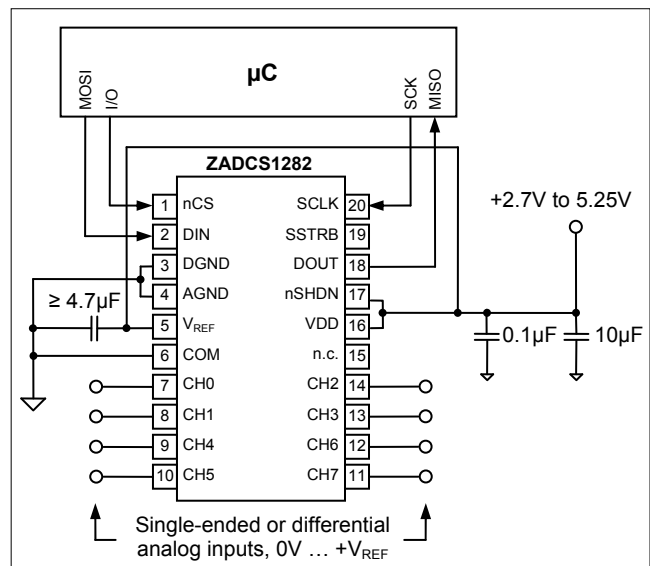
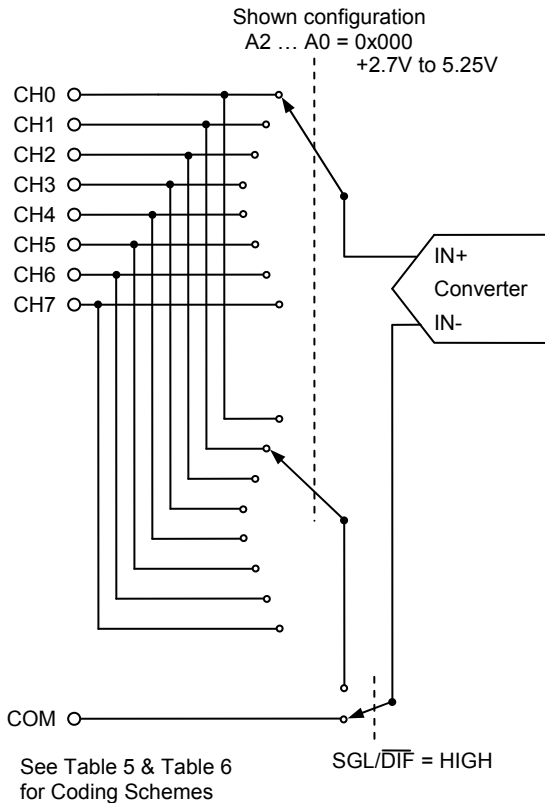


Figure 7: Block diagram of input multiplexer



lar – certain input voltage relations can limit the output code range of the converter.

In unipolar mode the voltage at IN<sub>+</sub> must exceed the voltage at IN<sub>-</sub> to obtain codes unequal to 0x000. The entire 12 bit transfer characteristic is then covered by IN<sub>+</sub> if IN<sub>+</sub> ranges from IN<sub>-</sub> to (IN<sub>-</sub> + V<sub>ref</sub>). Any voltage on IN<sub>+</sub> > (IN<sub>-</sub> + V<sub>ref</sub>) results in code 0xFFFF. Code 0xFFFF is not reached, if (IN<sub>-</sub> + V<sub>ref</sub>) > V<sub>DD</sub> + 0.2V because the input voltage is clamped at V<sub>DD</sub> + 0.2V by ESD protection devices.

The voltage at IN<sub>-</sub> can range from -0.2V ... 1/2 V<sub>REF</sub> without limiting the Code Range, assuming the fore mentioned V<sub>DD</sub> condition is true. See also Figure 8 for input voltage ranges in unipolar conversion mode.

In bipolar mode, IN<sub>+</sub> can range from (IN<sub>-</sub> - V<sub>ref</sub>/2) to (IN<sub>-</sub> + V<sub>ref</sub>/2) keeping the converter out of code saturation. For instance, if IN<sub>-</sub> is set to a constant DC voltage of V<sub>ref</sub>/2, then IN<sub>+</sub> can vary from 0V to V<sub>REF</sub> to cover the entire code range. Lower or higher voltages of IN<sub>+</sub> keep the output code at the minimum or maximum code value.

Figure 9 shows the input voltage ranges in bipolar mode when IN<sub>-</sub> is set to a constant DC voltage.

As explained before, converters out of the ZADCS12x2 family can also be used to convert fully differential input signals that change around a common mode input voltage.

The bipolar mode is best used for such purposes since it allows the input signals to be positive or negative in relation to each other.

Figure 8: Input voltage range in unipolar mode

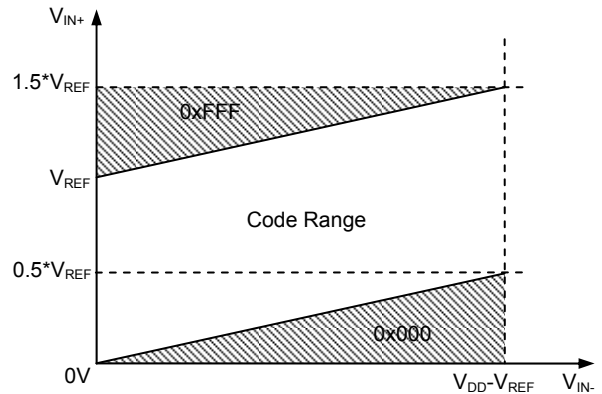
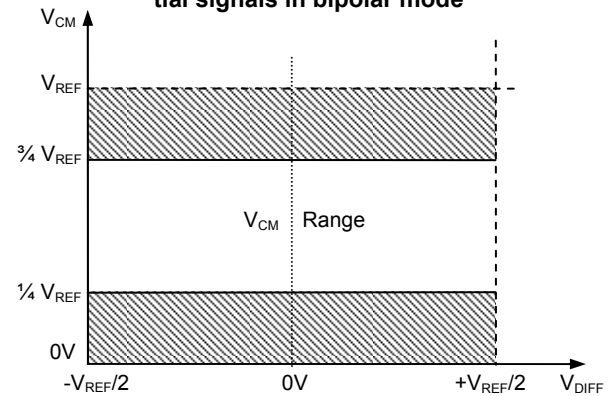


Figure 9: Input voltage range for fully differential signals in bipolar mode



The common mode level of a differential input signal is calculated  $V_{CM} = (V(IN_+) + V(IN_-)) / 2$ . To avoid code clipping or over steering of the converter, the common mode level can change from 1/4 V<sub>REF</sub> ... 3/4 V<sub>REF</sub>. Within this range the peak to peak amplitude of the differential input signal can be ± V<sub>REF</sub>/2.

The average input current on the analog inputs depends on the conversion rate. The signal source must be capable of charging the internal sampling capacitors (typically 16pF on each input of the converter: IN<sub>+</sub> and IN<sub>-</sub>) within the acquisition time t<sub>ACQ</sub> to the required accuracy. The equivalent input circuit in sampling mode is shown in Figure 6.

The following equation provides a rough hand calculation for a source impedance R<sub>S</sub> that is required to settle out a

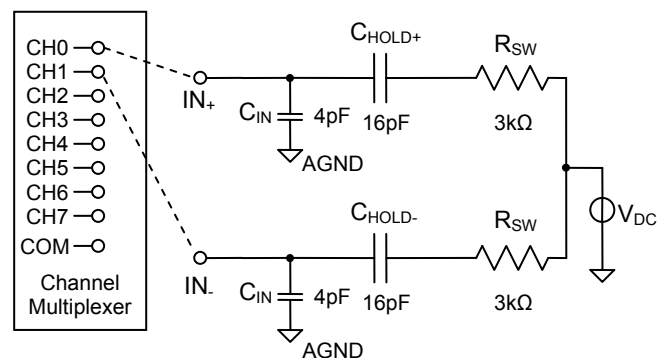


Figure 6: Equivalent input circuit during sampling

DC input signal referenced to AGND with 12 bit accuracy in a given acquisition time

$$R_S \leq \frac{t_{ACQ}}{9 \times C_{IN}} - R_{SW}$$

For example, if  $f_{SCLK} = 3.2\text{MHz}$ , the acquisition time is  $t_{ACQ} = 781.25\text{ns}$ . Thus the output impedance of the signal source  $R_S$  must be less than

$$R_S \leq \frac{781.25\text{ns}}{9 \times 20\text{pF}} - 3\text{k}\Omega = 1.34\text{k}\Omega$$

If the output impedance of the source is higher than the calculated maximum  $R_S$  the acquisition time must be extended by reducing  $f_{SCLK}$  to ensure 12 bit accuracy. Another option is to add a capacitor of  $>20\text{ nF}$  to the individual input. Although this limits the bandwidth of the input signal because an RC low pass filter is build together with the source impedance, it may be useful for certain applications.

The small-signal bandwidth of the input tracking circuitry is 3.8 MHz. Hence it is possible to digitize high-speed transient events and periodic signals with frequencies exceeding the ADC's sampling rate. This allows the application of certain under-sampling techniques like down conversion of modulated high frequency signals.

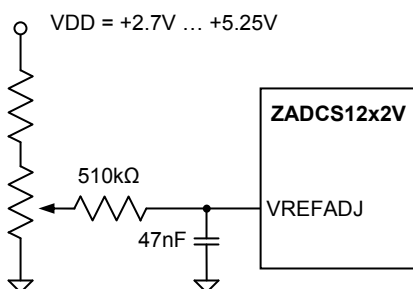
Be aware that under-sampling techniques still require a bandwidth limitation of the input signal to less than the Nyquist frequency of the converter to avoid aliasing effects. Also, the output impedance of the input source must be very low to achieve the mentioned small signal bandwidth in the overall system.

### 2.3 Internal & External Reference

ZADCS12x2V family members are equipped with a highly accurate internal 2.5V reference voltage source. The voltage is generated from a trimmed 1.25V bandgap with an internal buffer that is set to a gain of 2.00. The bandgap voltage is supplied at VREFADJ with an output impedance of 20kΩ. An external capacitor of 47nF at VREFADJ is useful to further decrease noise on the internal reference.

The VREFADJ pin also provides an opportunity to externally adjust the bandgap voltage in a limited range (see Figure 10) as well as the possibility to overdrive the internal bandgap with an external 1.25V reference.

**Figure 10: Reference Adjust Circuit**



The internal bandgap reference and the VREF buffer can be shut down completely by setting VREFADJ to VDD. This reduces power consumption of the ZADCS12x2V devices and allows the supply of an external reference at VREF.

Basic ZADCS12x2 devices do not contain the internal bandgap or the VREF buffer. An external reference must be supplied all the time at VREF.

The value of the reference voltage at VREF sets the input range of the converter and the analog voltage weight of each digital code. The size of the LSB (least significant bit) is equal to the value of VREF (reference to AGND) divided by 4096. For example at a reference voltage of 2.500V, the voltage level of a LSB is equal to 610μV.

It is important to know that certain inherent errors in the A/D converter, like offset or gain error, will appear to increase at lower reference voltages while the actual performance of the device does not change. For instance a static offset error of 1.22mV is equal to 2 LSB at 2.5V reference, while it is equivalent to 5.0 LSB for a reference voltage of 1.0V

Likewise, the uncertainty of the digitized output code will increase with lower LSB size (lower VREF). Once the size of an LSB is below the internal noise level, the output code will start to vary around a mean value for constant DC input voltages. Such noise can be reduced by averaging consecutive conversions or applying a digital filter.

The average current consumption at VREF depends on the value of VREF and the sampling frequency. Two effects contribute to the current at VREF, a resistive connection from VREF to AGND and charge currents that result from the switching and recharging of the capacitor array (CDAC) during sampling and conversion.

For an external reference of 2.5V the input current at VREF is approximately 100μA.

### 2.4 Digital Interface

All devices out of the ZADCS12x2 family are controlled by a 4-wire serial interface that is compatible to SPI™, QSPI™ and MICROWIRE™ devices without external logic.

Any conversion is started by sending a control byte into DIN while nCS is low. A typical sequence is shown in Figure 11.

The control byte defines the input channel(s), unipolar or bipolar operation and output coding, single-ended or differential input configuration, external or internal conversion clock and the kind of power down that is activated after the completion of a conversion. A detailed description of the control bits can be obtained from Table 7.

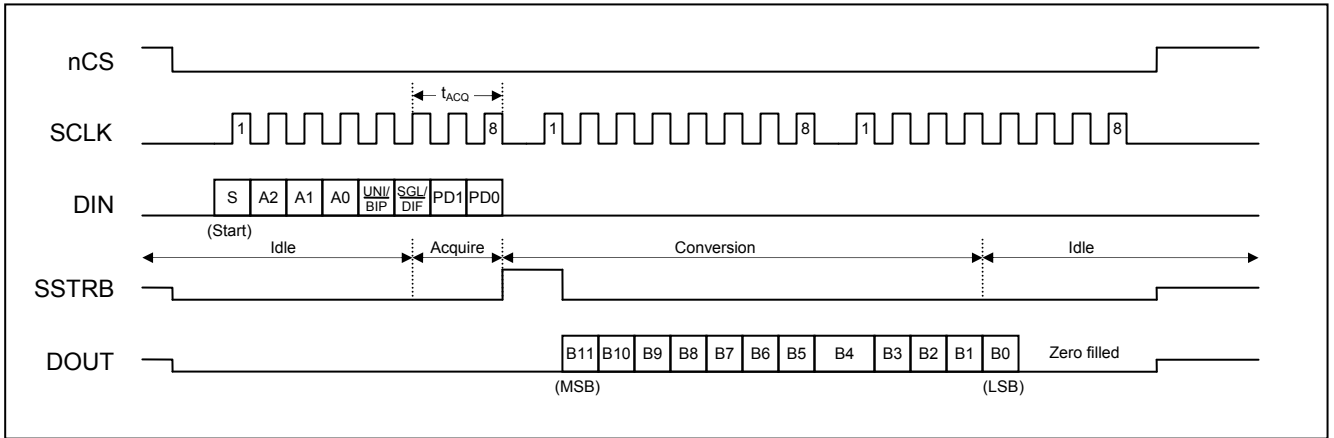
As it can also be seen in Figure 11 the acquisition of the input signal occurs at the end of the control byte for 2.5 clock cycles. Outside this range, the Track & Hold is in hold mode.

The conversion process is started, with the falling clock edge (SCLK) of the eighth bit in the control byte. It takes twelve clock cycles to complete the conversion and one additional cycle to shift out the last bit of the conversion result. During the remaining three clock cycles the output is filled with zeros in 24-Clock Conversion Mode.

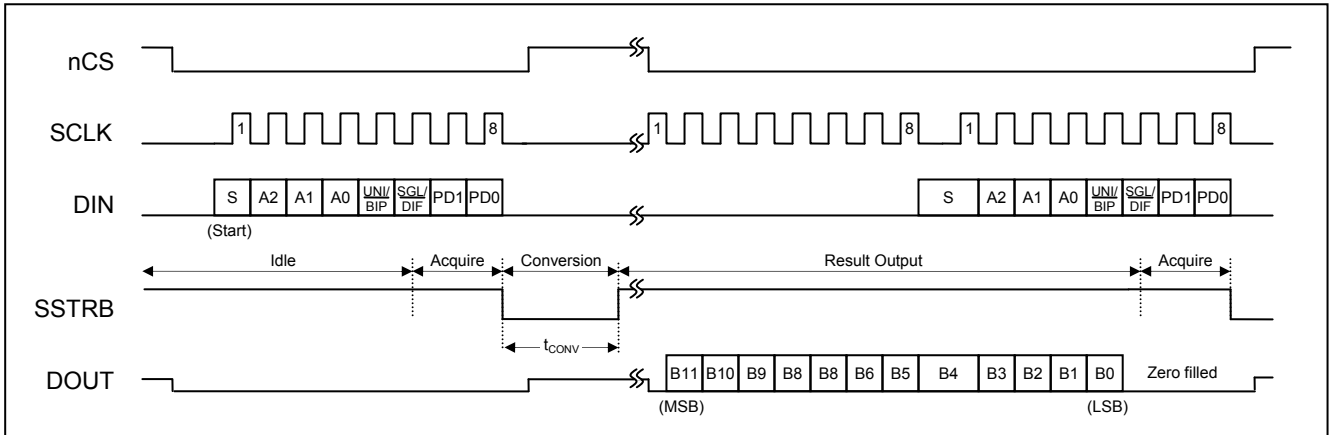
Depending on what clock mode was selected, either the external SPI clock or an internal clock is used to drive the

successive approximation. Figure 12 shows the Timing for Internal Clock Mode.

**Figure 11: 24-Clock External Clock Mode Timing (SPI™, QSPI™ and MICROWIRE™ compatible,  $f_{SCLK} \leq 3.2\text{MHz}$ )**



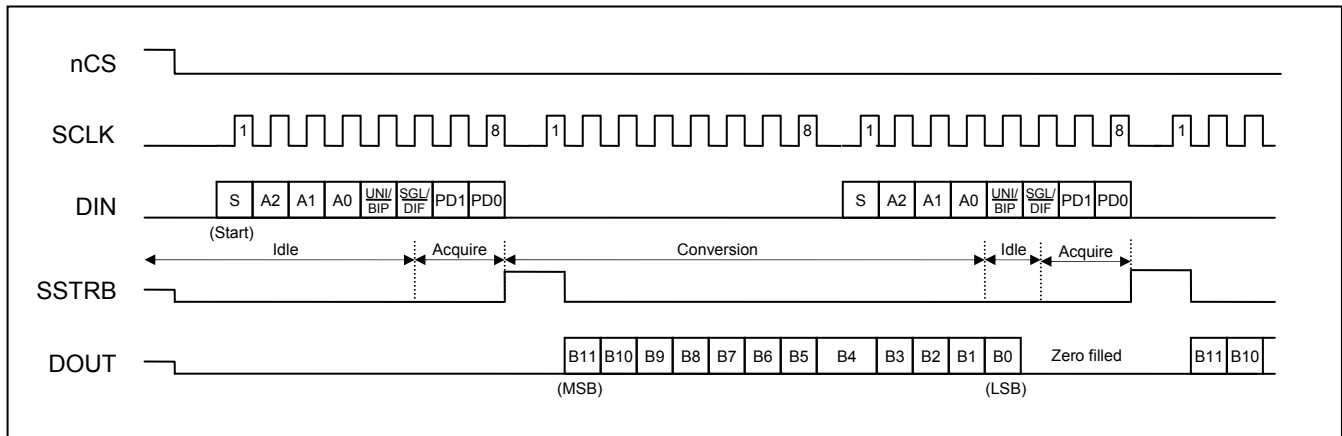
**Figure 12: Internal Clock Mode Timing with interleaved Control Byte transmission**



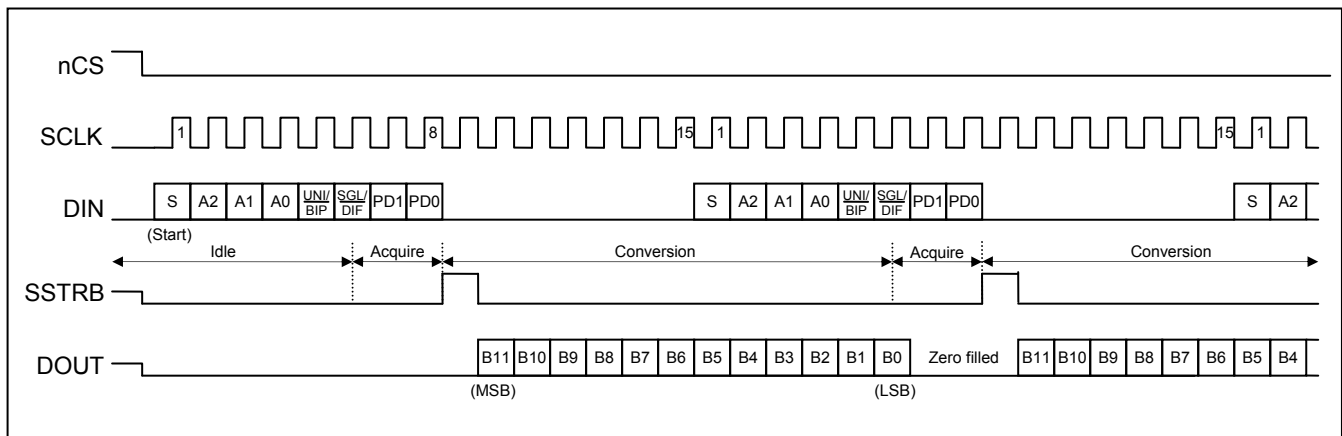
**Table 7: Control Byte Format**

BIT	Name	Description															
7 (MSB)	START	The Start Bit is defined by the first logic '1' after nCS goes low.															
6 5 4	A2 A1 A0	Channel Select Bits. Along with SGL/DIF these bits control the setting of the input multiplexer. For further details on the decoding see also Table 5 and Table 6.															
3	UNI/ $\overline{\text{BIP}}$	Output Code Select Bit. The value of the bit determines conversion mode and output code format. '1' = unipolar - straight binary coding '0' = bipolar - two's complement coding															
2	SGL/ $\overline{\text{DIF}}$	Single-Ended / Differential Select Bit. Along with the Channel Select Bits A2 .. A0 this bit controls the setting of the input multiplexer '1' = single ended - all channels CH0 ... CH7 measured referenced to COM '0' = differential - the voltage between two channels is measured															
1 0 (LSB)	PD1 PD0	Power Down and Clock Mode Select Bits <table border="1" style="display: inline-table; vertical-align: middle;"> <tr> <td>PD1</td> <td>PD0</td> <td>Mode</td> </tr> <tr> <td>0</td> <td>0</td> <td>Full Power-Down</td> </tr> <tr> <td>0</td> <td>1</td> <td>Fast Power-Down</td> </tr> <tr> <td>1</td> <td>0</td> <td>Internal clock mode</td> </tr> <tr> <td>1</td> <td>1</td> <td>External clock mode</td> </tr> </table>	PD1	PD0	Mode	0	0	Full Power-Down	0	1	Fast Power-Down	1	0	Internal clock mode	1	1	External clock mode
PD1	PD0	Mode															
0	0	Full Power-Down															
0	1	Fast Power-Down															
1	0	Internal clock mode															
1	1	External clock mode															

**Figure 13: 16-Clock External Clock Mode Conversion**



**Figure 14: 15-Clock External Clock Mode Conversion**



**Internal Clock Mode**

In Internal Clock Mode, the conversion starts at the falling clock edge of the eighth control bit just as in External Clock Mode. However, there are no further clock pulses required at SCLK to complete the conversion. The conversion clock is generated by an internal oscillator that runs at approximately 3.2MHz. While the conversion is running, the SSTRB signal is driven LOW. As soon as the conversion is complete, SSTRB is switched to HIGH, signaling that the conversion result can be read out on the serial interface.

To shorten cycle times ZADCS12x2 family devices allow interleaving of the read out process with the transmission of a new control byte. Thus it is possible to read the conversion result and to start a new conversion with just two consecutive byte transfers, instead of three bytes that would have to be sent without the interleaving function.

While the IC is performing a conversion in Internal Clock Mode, the Chip Select signal (nCS) may be tied HIGH allowing other devices to communicate on the bus. The output driver at DOUT is switched into a high impedance state while nCS is HIGH. The conversion time  $t_{CONV}$  may vary in the specified limits depending on the actual VDD and temperature values.

**16-Clocks per Conversion**

Interleaving of the data read out process and transmission of a new Control Byte is also supported for External Clock Mode operation. Figure 13 shows the transmission timing for conversion runs using 16 clock cycles per run. In fact, the specified converter sampling rate of 200ksps will be reached in this mode, provided the clock frequency is set to 3.2MHz.

**15-Clocks per Conversion**

ZADCS12x2 family devices do also support a 15 clock cycle conversion mode (see Figure 14). This is the fastest conversion mode possible. Usually micro controllers do not support this kind of 15 bit serial communication transfers. However, specifically designed digital state machines implemented in Field Programmable Gate Arrays (FPGA) or Application Specific Integrated Circuits (ASIC) may use this operation mode. Applications that utilize the 15 clock cycle conversion mode gain an increase in sampling rate to 213.3ksps keeping the clock frequency unchanged at 3.2MHz.

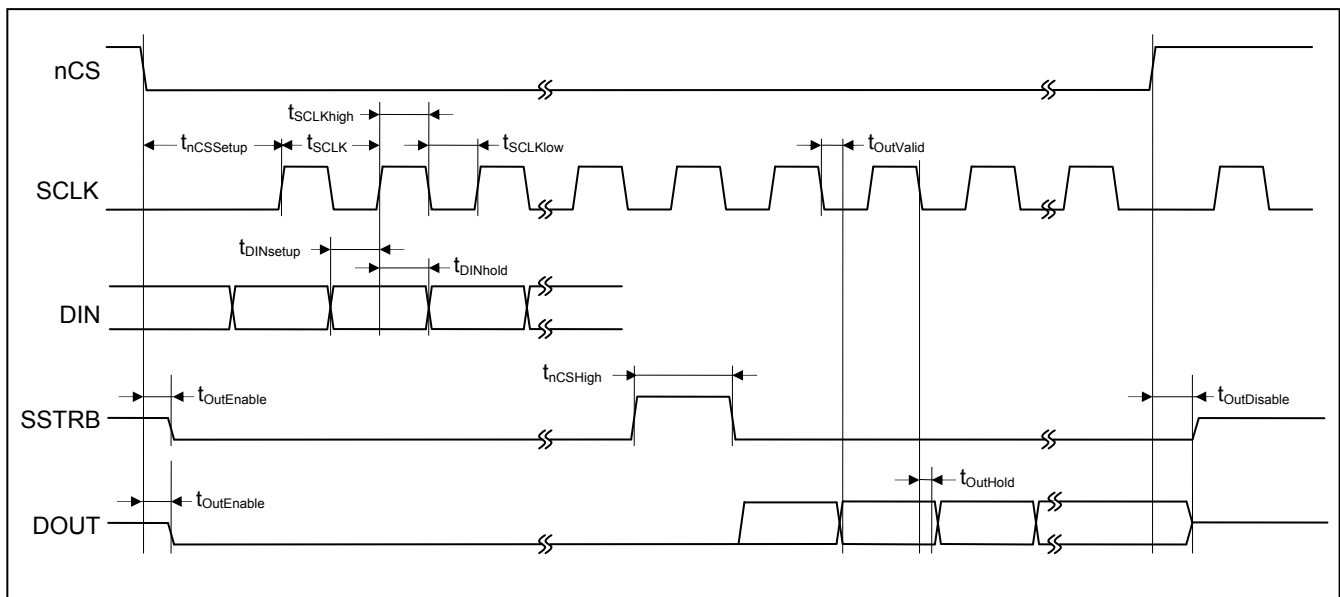
**Digital Timing**

In general the clock frequency at SCLK may vary from 0.1MHz to 3.2MHz. Considering all telegram pauses or other interruptions of a continuous clock at SCLK, each conversion must be completed within 1.2ms from the falling clock edge of the eighth bit in the Control Byte. Otherwise the signal that was captured during sample/hold may drop to noticeable affect the conversion result.

**Table 8: Timing Characteristics** ( $V_{DD} = +2.7V$  to  $+5.25V$ ;  $\theta_{OP} = \theta_{OPmin} \dots \theta_{OPmax}$ )

Parameter	Symbol	Conditions	Min	Typ	Max	Unit
SCLK Periode	$t_{SCLK}$		312.50			ns
SCLK Pulse Width High	$t_{SCLKhigh}$		156.25			ns
SCLK Pulse Width Low	$t_{SCLKlow}$		156.25			ns
DIN to SCLK Setup	$t_{DinSetup}$		30			ns
DIN to SCLK Hold	$t_{DinHold}$		10			ns
nCS Fall to SCLK Setup	$t_{nCSSetup}$		30			ns
SCLK Fall to DOUT & SSTRB Hold	$t_{OutHold}$	$C_{Load} = 20pF$	10			ns
SCLK Fall to DOUT & SSTRB Valid	$t_{OutValid}$	$C_{Load} = 20pF$			40	ns
nCS Rise to DOUT & SSTRB Disable	$t_{OutDisable}$	$C_{Load} = 20pF$	10		60	ns
nCS Fall to DOUT & SSTRB Enable	$t_{OutEnable}$	$C_{Load} = 20pF$			60	ns
nCS Pulse Width High	$t_{nCSHigh}$		100			ns

**Figure 15: Detailed Timing Diagram**



Further detailed timing information on the digital interface is provided in Table 8 and Figure 15.

**Output Code Format**

ZADCS12x2 family devices do all support unipolar and bipolar operation modes. The digital output code is straight binary in unipolar mode. It ranges from 0x000 for an input voltage difference of 0V to 0xFF for an input voltage difference of  $V_{REF}$  (Full Scale = FS). The first code transition (0x000  $\rightarrow$  0x001) occurs at a voltage equivalent to  $\frac{1}{2}$  LSB, the last (0xFFE  $\rightarrow$  0xFFFF) at

$V_{REF} - 1.5$  LSB. See also Figure 16 for details.

In bipolar mode a two's complement coding is applied. Code transitions occur again halfway between successive integer LSB values. The transfer function is shown in Figure 17.

Figure 16: Unipolar Transfer Function

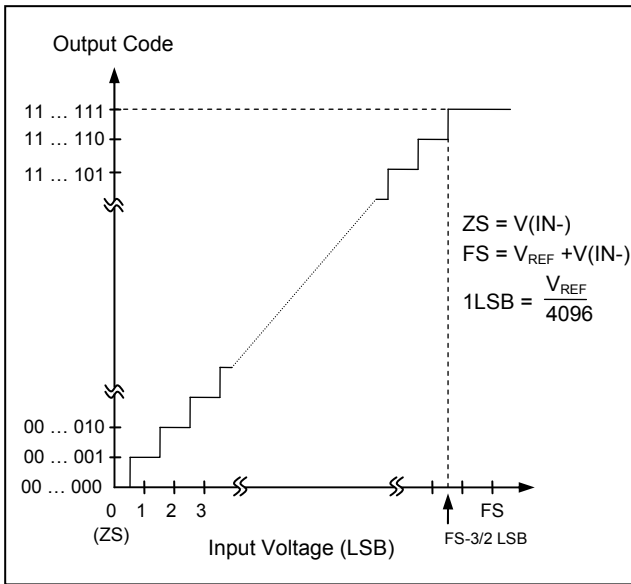
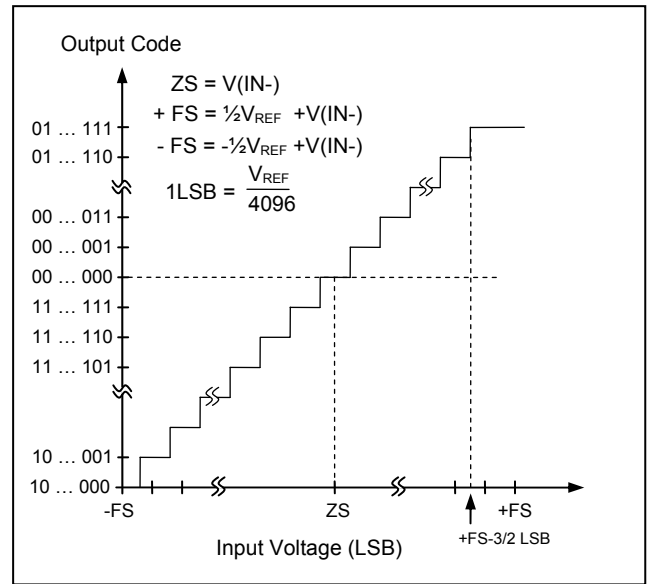


Figure 17: Bipolar Transfer Function



## 2.5 Power Dissipation

The ZADCS12x2 family offers three different ways to save operating current between conversions. Two different software controlled power down modes can be activated to automatically shut-down the device after completion of a conversion. They differ in the amount of circuitry that is powered down.

### Software Power Down

Full Power Down Mode shuts down the entire analog part of the IC, reducing the static  $I_{DD}$  of the device to less than 0.5µA if no external clock is provided at SCLK.

Fast Power Down mode is only useful with ZADCS12x2V devices if the internal voltage reference is used. During Fast Power-Down the bandgap and the VREFADJ output buffer are kept alive while all other internal analog circuitry is shut down. The benefit of Fast Power Down mode is a shorter turn on time of the reference compared to Full Power-Down Mode. This is basically due to the fact that the low pass which is formed at the VREFADJ output by the internal 20kΩ resistor and the external buffer capacitor of 47nF is not discharged in Fast Power-Down Mode.

The settling time of the low pass at VREFADJ is about 9 ms to reach 12 bit accuracy. The Fast Power Down mode omits this settling and reduces the turn on time to about 200µs.

To wake up the IC out of either software power down mode, it is sufficient to send a Start Bit while nCS is LOW. Since micro controllers can commonly transfer full bytes per transaction only, a dummy conversion is usually carried out to wake the device.

In all application cases where an external reference voltage is supplied (basic ZADCS12x2 and ZADCS12x2V with VREFADJ tied to VDD) there is no turn on time to be considered. The first conversion is already valid. Fast Power-Down and Full Power-Down Mode do not show any difference in this configuration.

### Hardware Power Down

The third power down mode is called Hardware Power-Down. It is initiated by pulling the nSHDN pin LOW. If this condition is true, the device will immediately shut down all circuitry just as in Full Power Down-Mode.

The IC wakes up if nSHDN is tied HIGH. There is no internal pull-up that would allow nSHDN to float during normal operation. This ensures the lowest possible power consumption in power down mode.

### General Power Considerations

Even without activating any power down mode, the devices out of the ZADCS12x2 family reduce their power consumption between conversions automatically. The comparator, which contributes a considerable amount to the overall current consumption of the device, is shut off as soon as a conversion is ended. It gets turned on at the start of the next acquisition period. This explains the difference between the  $I_{DDstatic}$  and  $I_{DDactive}$  measurements shown in chapter 1.6 Typical Operating Characteristics.

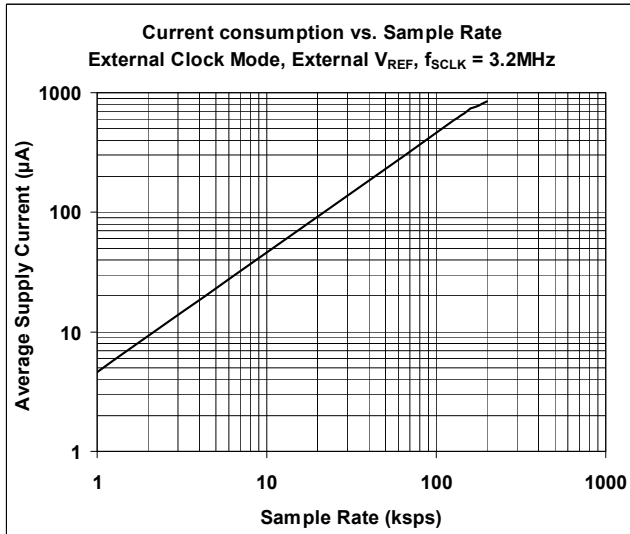
The average current consumption of the device depends very much on the sampling frequency and the type of protocol used to communicate with the device.

In order to achieve the lowest power consumption at low sampling frequencies, it is suggested to keep the conversion clock frequency at the maximum level of 3.2MHz and to power down the device between consecutive conversions. Figure 18 shows the characteristic current consumption of the ZADCS12x2 family with external reference supply versus Sampling Rate

## 3 Layout

To achieve optimum conversion performance care must be taken in design and layout of the application board. It is highly recommended to use printed circuit boards instead of wire wrap designs and to establish a single point

**Figure 18: Average Supply Current versus Sampling Rate**



star connection ground system towards AGND (see Figure 19).

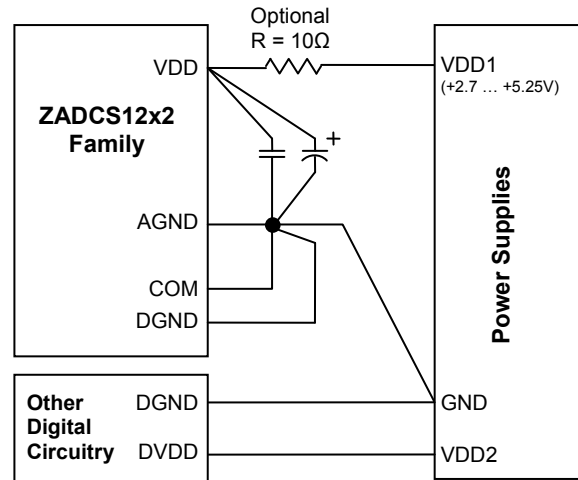
For optimal noise performance the star point should be located very close to the AGND pin of the converter. The ground return to the power supply should be as short as possible and low impedance.

All other analog ground points of external circuitry that is related to the A/D converter as well as the DGND pin of the device should be connected to this ground point too. Any other digital ground system should be kept apart as far as possible and connect on the power supply point only.

Analog and digital signal domains should also be separated as well as possible and analog input signals should be shielded by AGND ground planes from electromagnetic interferences. Four-layer PCB boards that allow smaller vertical distances between the ground plane and the shielded signals do generally show a better performance than two-layer boards.

The sampling phase is the most critical portion of the overall conversion timing for signal distortion. If possible, the switching of any high power devices or nearby digital

**Figure 19: Optimal Power-Supply Grounding System**



logic should be avoided during the sampling phase of the converter.

The fully differential internal architecture of the ZADCS12x2 family ensures very good suppression of power supply noise. Nevertheless, the SAR architecture is generally sensitive to glitches or sudden changes of the power supply that occur shortly before the latching of the comparator output. It is therefore recommended to bypass the power supply connection very close to the device with capacitors of 0.1µF (ceramic) and >1µF (electrolytic).

In case of a noisy supply, an additional series resistor of 5 to 10 ohms can be used to low-pass filter the supply voltage.

The reference voltage should always be bypassed with capacitors of 0.1µF (ceramic) and ≥ 4.7µF (electrolytic) as close as possible to the VREF pin. If VREF is provided by an external source, any series resistance in the VREF supply path can cause a gain error of the converter. During conversion, a DC current of about 100µA is drawn through the VREF pin that could cause a noticeable voltage drop across the resistance.

## 4 Package Drawing

ZADCS1282 devices are delivered in a 20-pin SSOP-package that has the dimensions as shown in Figure 20 and Table 9. ZADCS1242 and ZADCS1222 devices apply respective 16-pin and 14-pin SSOP-packages. Their dimensions are specified in Table 10 and Table 11.

Figure 20: Package Outline Dimensions

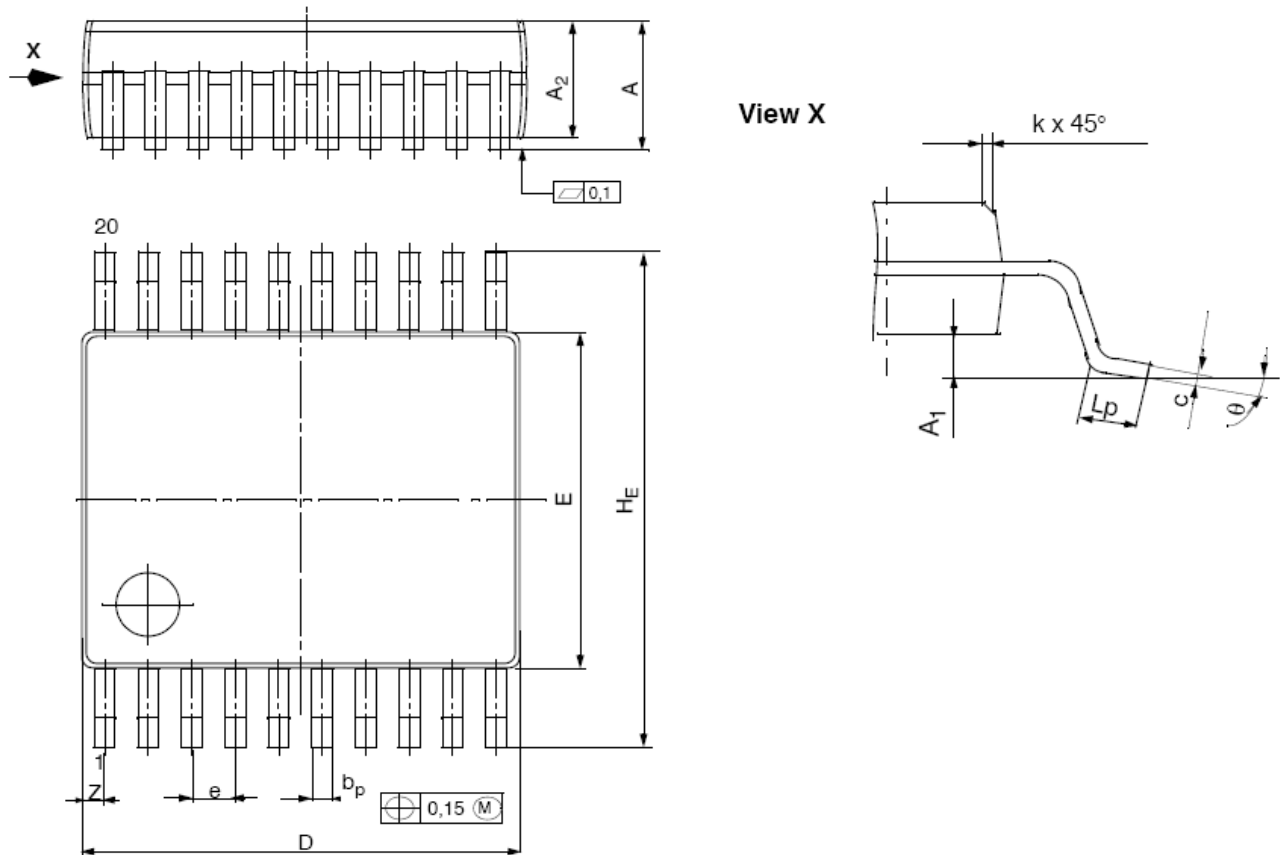


Table 9: Package Dimensions for ZADC1282 devices (mm)

Symbol	A	A <sub>1</sub>	A <sub>2</sub>	b <sub>P</sub>	c	D	E	e <sub>nom</sub>	H <sub>E</sub>	L <sub>P</sub>	Z	k	θ	
Nominal	1.86	0.13	1.73	0.30	0.15	7.20	5.30	0.65	7.80				4°	
Maximum	1.99	0.21	1.78	0.38	0.20	7.33	5.38		7.90		0.74			8°
Minimum	1.73	0.05	1.68	0.25	0.09	7.07	5.20		7.65	0.63			0.25	0°

Table 10: Package Dimensions for ZADC1242 devices (mm)

Symbol	A	A <sub>1</sub>	A <sub>2</sub>	b <sub>P</sub>	c	D	E	e <sub>nom</sub>	H <sub>E</sub>	L <sub>P</sub>	Z	k	θ	
Nominal	1.86	0.13	1.73	0.30	0.15	6.20	5.30	0.65	7.80				4°	
Maximum	1.99	0.21	1.78	0.38	0.20	6.07	5.38		7.90		0.89			10°
Minimum	1.73	0.05	1.68	0.25	0.09	6.33	5.20		7.65	0.63			0.25	0°

Table 11: Package Dimensions for ZADC1222 devices (mm)

Symbol	A	A <sub>1</sub>	A <sub>2</sub>	b <sub>P</sub>	c	D	E	e <sub>nom</sub>	H <sub>E</sub>	L <sub>P</sub>	Z	k	θ	
Nominal	1.86	0.13	1.73	0.30	0.15	6.20	5.30	0.65	7.80				4°	
Maximum	1.99	0.21	1.78	0.38	0.20	6.33	5.38		7.90		1.22			10°
Minimum	1.73	0.05	1.68	0.25	0.09	6.07	5.20		7.65	0.63			0.25	0°

## 5 Ordering Information

Order Code	Resolution [Bit]	Channels [number]	Sample Rate [ksps]	Temperature range [°C]	QC 100 Qualified	Internal V <sub>ref</sub>	INL	DNL	Pins [number]	Package [Type]	packing
ZADCS1282VIS20T	12	8	200	-25°C to +85°C	--	✓	± 1 LSB	± 1 LSB	20	SSOP	Tube
ZADCS1282IS20T	12	8	200	-25°C to +85°C	--	--	± 1 LSB	± 1 LSB	20	SSOP	Tube
ZADCS1242VIS16T	12	4	200	-25°C to +85°C	--	✓	± 1 LSB	± 1 LSB	16	SSOP	Tube
ZADCS1242IS16T	12	4	200	-25°C to +85°C	--	--	± 1 LSB	± 1 LSB	16	SSOP	Tube
ZADCS1222VIS14T	12	2	200	-25°C to +85°C	--	✓	± 1 LSB	± 1 LSB	14	SSOP	Tube
ZADCS1222IS14T	12	2	200	-25°C to +85°C	--	--	± 1 LSB	± 1 LSB	14	SSOP	Tube
ZADCS1282VQS20T	12	8	200	-40°C to +125°C	✓	✓	± 1 LSB	± 1 LSB	20	SSOP	Tube
ZADCS1282QS20T	12	8	200	-40°C to +125°C	✓	--	± 1 LSB	± 1 LSB	20	SSOP	Tube
ZADCS1242VQS16T	12	4	200	-40°C to +125°C	✓	✓	± 1 LSB	± 1 LSB	16	SSOP	Tube
ZADCS1242QS16T	12	4	200	-40°C to +125°C	✓	--	± 1 LSB	± 1 LSB	16	SSOP	Tube
ZADCS1222VQS14T	12	2	200	-40°C to +125°C	✓	✓	± 1 LSB	± 1 LSB	14	SSOP	Tube
ZADCS1222QS14T	12	2	200	-40°C to +125°C	✓	--	± 1 LSB	± 1 LSB	14	SSOP	Tube

## 6 ZMDI Contact

For the most current revision of this document and for additional product information please visit [www.zmdi.com](http://www.zmdi.com).

Sales and Further Information		<a href="http://www.zmdi.com">www.zmdi.com</a>	<a href="mailto:sales@zmdi.com">sales@zmdi.com</a>
<b>Zentrum Mikroelektronik Dresden AG (ZMD AG)</b> Grenzstrasse 28 01109 Dresden Germany Phone +49 (0)351.8822.232 Fax +49(0)351.8822.82321	<b>ZMD America, Inc.</b> 8413 Excelsior Drive Suite 200 Madison, WI 53717 USA Phone +01 (608) 829-1987 Fax +01 (631) 549-2882	<b>ZMD AG, Japan Office</b> 2nd Floor, Shinbashi Tokyu Bldg. 4-21-3, Shinbashi, Minato-ku Tokyo, 105-0004 Japan Phone +81.3.6895.7410 Fax +81.3.6895.7301	<b>ZMD Far East, Ltd.</b> 3F, No. 51, Sec. 2, Keelung Road 11052 Taipei Taiwan Phone +886.2.2377.8189 Fax +886.2.2377.8199
<small><b>DISCLAIMER:</b> This information applies to a product under development. Its characteristics and specifications are subject to change without notice. Zentrum Mikroelektronik Dresden AG (ZMD AG) assumes no obligation regarding future manufacture unless otherwise agreed to in writing. The information furnished hereby is believed to be true and accurate. However, under no circumstances shall ZMD AG be liable to any customer, licensee, or any other third party for any special, indirect, incidental, or consequential damages of any kind or nature whatsoever arising out of or in any way related to the furnishing, performance, or use of this technical data. ZMD AG hereby expressly disclaims any liability of ZMD AG to any customer, licensee or any other third party, and any such customer, licensee and any other third party hereby waives any liability of ZMD AG for any damages in connection with or arising out of the furnishing, performance or use of this technical data, whether based on contract, warranty, tort (including negligence), strict liability, or otherwise.</small>			