

ZONE	REV	SCR NUMBER	DESCRIPTION	BY	DATE	APPROVED
ALL	C	CSAS-7VFLSW.VER02	UPDATED 4TH DIGIT OF PART NUMBER TREE IN TABLE 1.	HCL-RB	09/04/2009	D.SMITH
-	D	CSAS-83PRGH.VER01	UPDATED 4TH AND 5TH OF PART NUMBER IN TABLE 1 FOR NEW PLATING CODES. MODIFIED NOTE 10.	HCL-GM	03/23/2010	C.SAMMIS

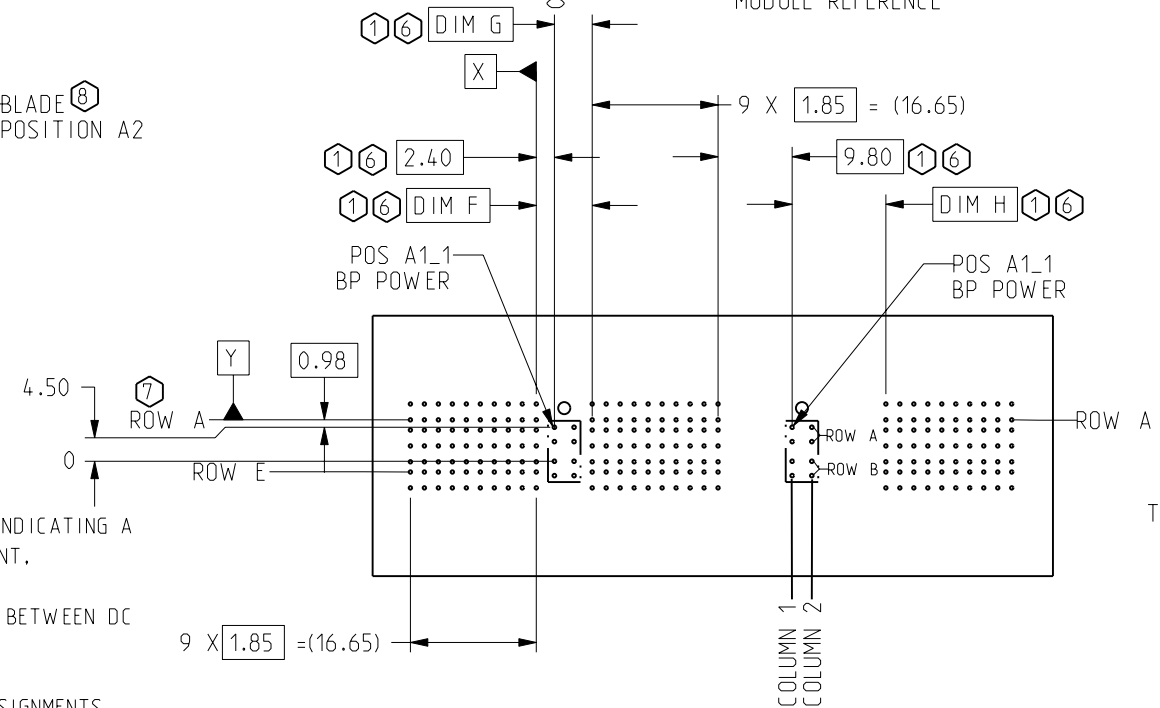
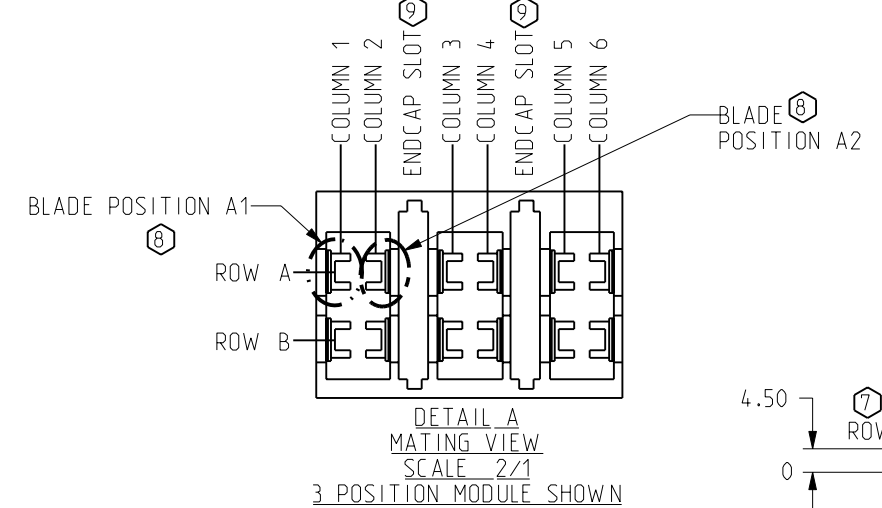
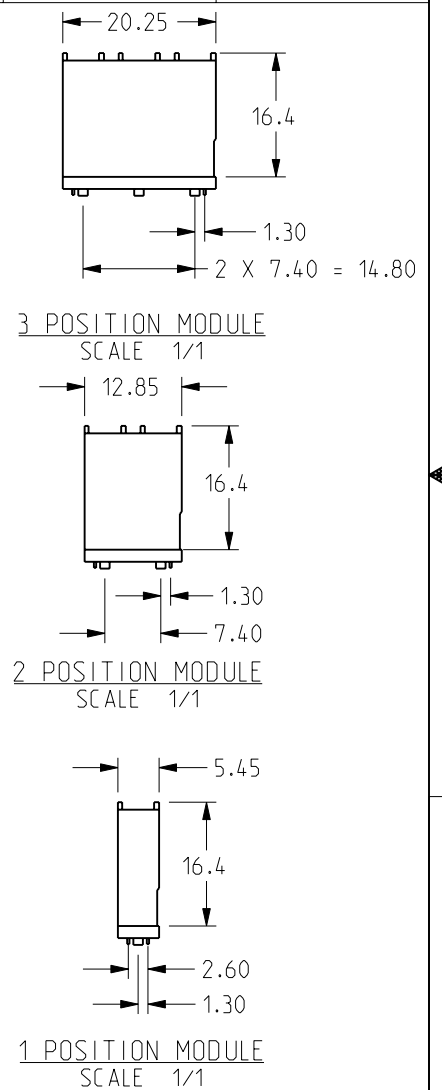
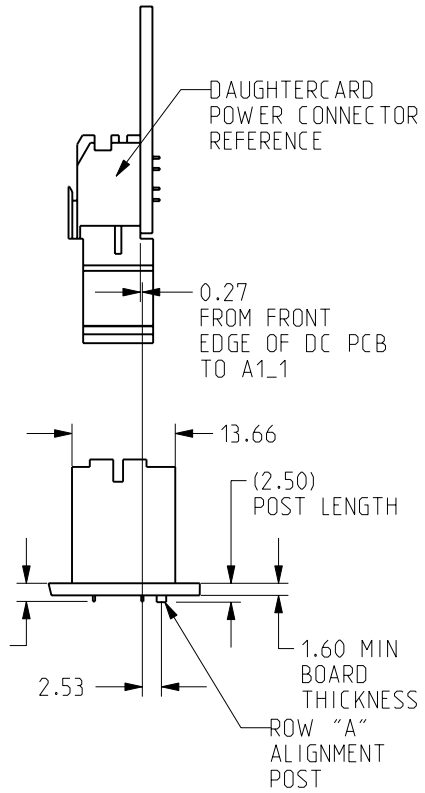
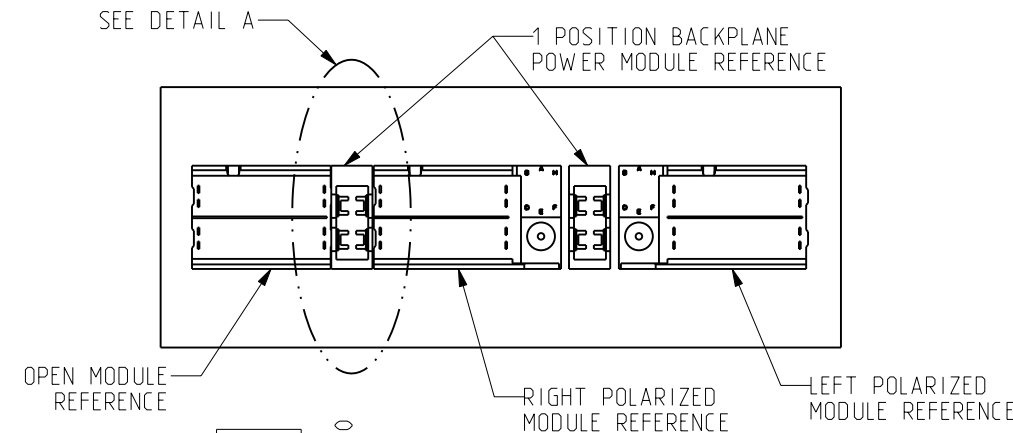
TABLE 1
GbX STANDARD BACKPLANE POWER CONNECTOR
439 - X X X X - 0 0 0

10 3 = STANDARD LOADED
7 = CUSTOM LOAD, LEADED
8 = CUSTOM LOAD, LEAD FREE
L = CUSTOM LOAD, LEADED, ADVANCED PLATING
N = CUSTOM LOAD, LEAD FREE, ADVANCED PLATING

ROW B
4 = 4.5mm
6 = 6.0mm
7 = 7.5mm

ROW A
4 = 4.5mm
6 = 6.0mm
7 = 7.5mm

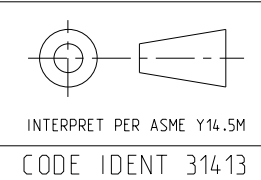
SHROUD POSITION/PLATING
1 = 1 POSITION/NI SULFAMATE, HIGH GOLD, LEAD-FREE
2 = 1 POSITION/NI SULFAMATE, HIGH GOLD, LEADED
3 = 2 POSITION/NI SULFAMATE, HIGH GOLD, LEAD-FREE
5 = 2 POSITION/NI SULFAMATE, HIGH GOLD, LEADED
7 = 3 POSITION/NI SULFAMATE, HIGH GOLD, LEADED
8 = 3 POSITION/NI SULFAMATE, HIGH GOLD, LEAD-FREE
A = 1 POSITION/NI SULFAMATE, STANDARD GOLD, LEADED
B = 1 POSITION/NI SULFAMATE, STANDARD GOLD, LEAD-FREE
C = 2 POSITION/NI SULFAMATE, STANDARD GOLD, LEADED
D = 2 POSITION/NI SULFAMATE, STANDARD GOLD, LEAD-FREE
E = 3 POSITION/NI SULFAMATE, STANDARD GOLD, LEADED
F = 3 POSITION/NI SULFAMATE, STANDARD GOLD, LEAD-FREE
G = 1 POSITION/NANO NI, HIGH GOLD, LEADED
H = 1 POSITION/NANO NI, STANDARD GOLD, LEADED
J = 1 POSITION/NANO NI, HIGH GOLD, LEAD-FREE
K = 1 POSITION/NANO NI, STANDARD GOLD, LEAD-FREE
L = 2 POSITION/NANO NI, HIGH GOLD, LEADED
M = 2 POSITION/NANO NI, STANDARD GOLD, LEADED
N = 2 POSITION/NANO NI, HIGH GOLD, LEAD-FREE
P = 2 POSITION/NANO NI, STANDARD GOLD, LEAD-FREE
R = 3 POSITION/NANO NI, HIGH GOLD, LEADED
T = 3 POSITION/NANO NI, STANDARD GOLD, LEADED
U = 3 POSITION/NANO NI, HIGH GOLD, LEAD-FREE
V = 3 POSITION/NANO NI, STANDARD GOLD, LEAD-FREE



TYPICAL DIMENSIONS FOR BP POWER PLACEMENT RELATIVE TO BP SIGNAL SHROUDS

TABLE 2

	DIM F	DIM G	DIM H
1 POSITION MODULE	7.40	5.00	12.40
2 POSITION MODULE	14.80	12.40	19.80
3 POSITION MODULE	22.20	19.80	27.20



TOLERANCES

0.0	±0.25
0.00	±0.13
0.000	± -
ANGLES	± -

UNLESS OTHERWISE SPECIFIED DIMENSIONS ARE IN MM. DECIMAL MARKER IS A PERIOD

CUSTOMER USE DRAWING

Amphenol TCS
A Division of Amphenol Corporation
200 Innovative Way, Nashua, NH 03062 603.879.3000

TITLE: BACK PLANE POWER ASSEMBLY GbX 2 PAIR

PART NO. SEE TABLE 1 REV N/A

DRAWING NO. C-439-3200-500 REV D

Pro/E type: P1034-CU-BP-POWER
Pro/E DRAWING: C-439-3200-500

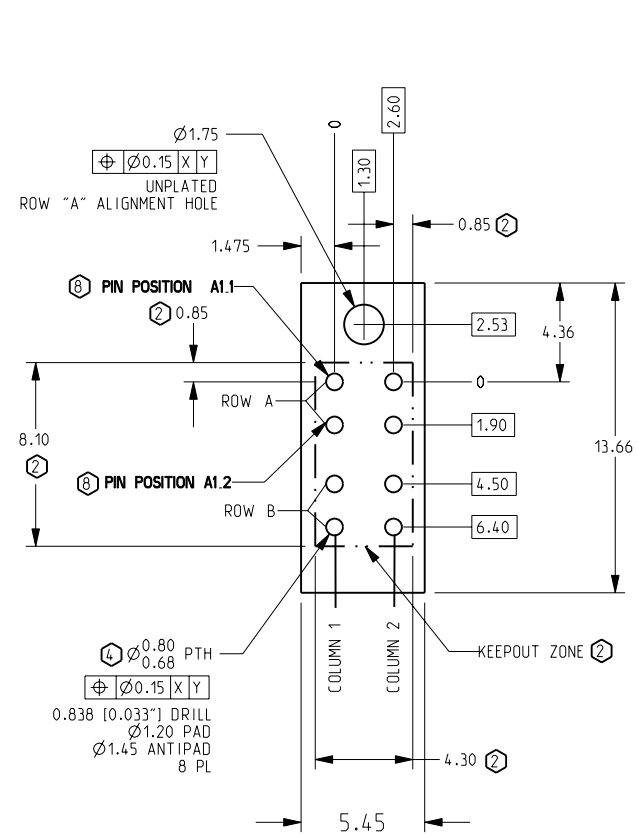
SIZE B SCALE 1/1 SHEET 1 OF 2

- 10 IF THE 4TH DIGIT OF THE PART NUMBER IS 7 OR 8 OR L OR N, INDICATING A CUSTOM PART NUMBER, DIGITS 5 THROUGH 10 ARE NOT SIGNIFICANT, AND DO NOT FOLLOW THE PARADIGM IN THIS TABLE.
- 9 2 POSITION AND 3 POSITION MODULES WILL ACCEPT DC ENDCAPS BETWEEN DC POWER MODULES WITH NO ADDITIONAL SPACING REQUIRED.
- 8 BLADE POSITION A1 CONTAINS PINS A1_1 AND A1_2.
- 7 REFER TO BP CUSTOMER USE DRAWINGS FOR ROW AND COLUMN ASSIGNMENTS.
- 6 WHEN USING ENDCAPS BETWEEN SIGNAL WAFERS AND DC POWER MODULES ADD 1.85mm FOR EACH ENDCAP. VIEW SHOWN WITHOUT ENDCAPS. FOR ENDCAPS THAT ARE USED BETWEEN DC POWER MODULES AND DO NOT PLUG INTO A MULTI-UP BP POWER MODULE, ADD 1.85mm FOR EACH ENDCAP.
5. REFER TO TB-2085 FOR GbX PRODUCT SPECIFICATIONS AND TB-2104 FOR POWER APPLICATION GUIDE.
- 4 STATED PAD SIZE MAY REQUIRE FILLETING. SEE TB-2090 FOR ROUTING GUIDELINES.
3. REMOVED.
- 2 NO SURFACE TRACES IN KEEP OUT ZONE.
- 1 FOR EACH ADDITIONAL POWER MODULE, ADD 5.55mm FOR 1 POSITION MODULES, 12.95mm FOR 2 POSITION MODULES, OR 20.35mm FOR 3 POSITION MODULES.
- NOTES

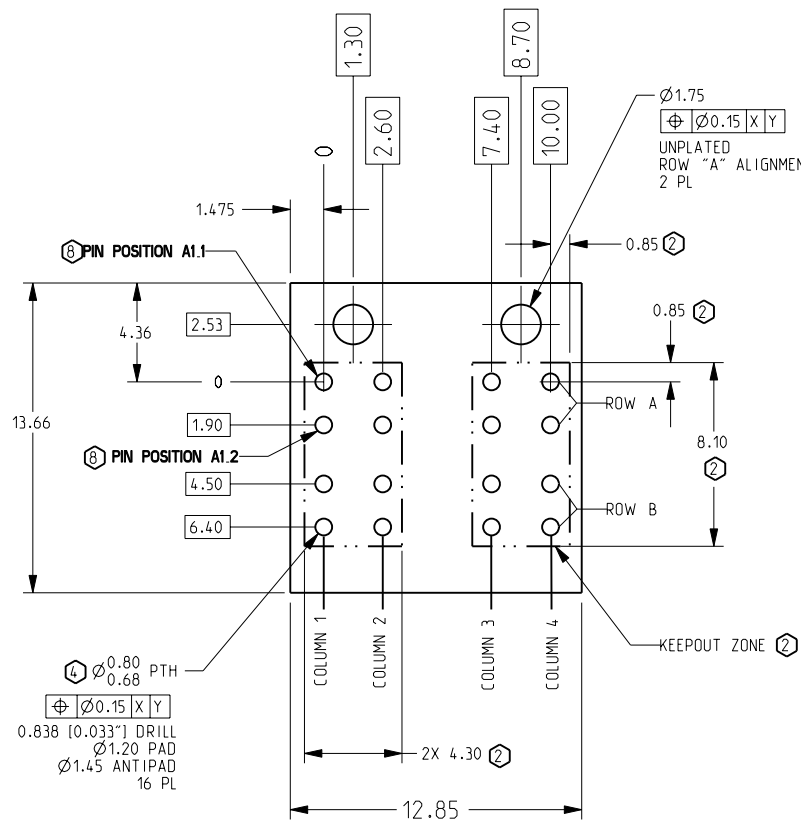
DRW NO. C-439-3200-500

SH 1 REV D

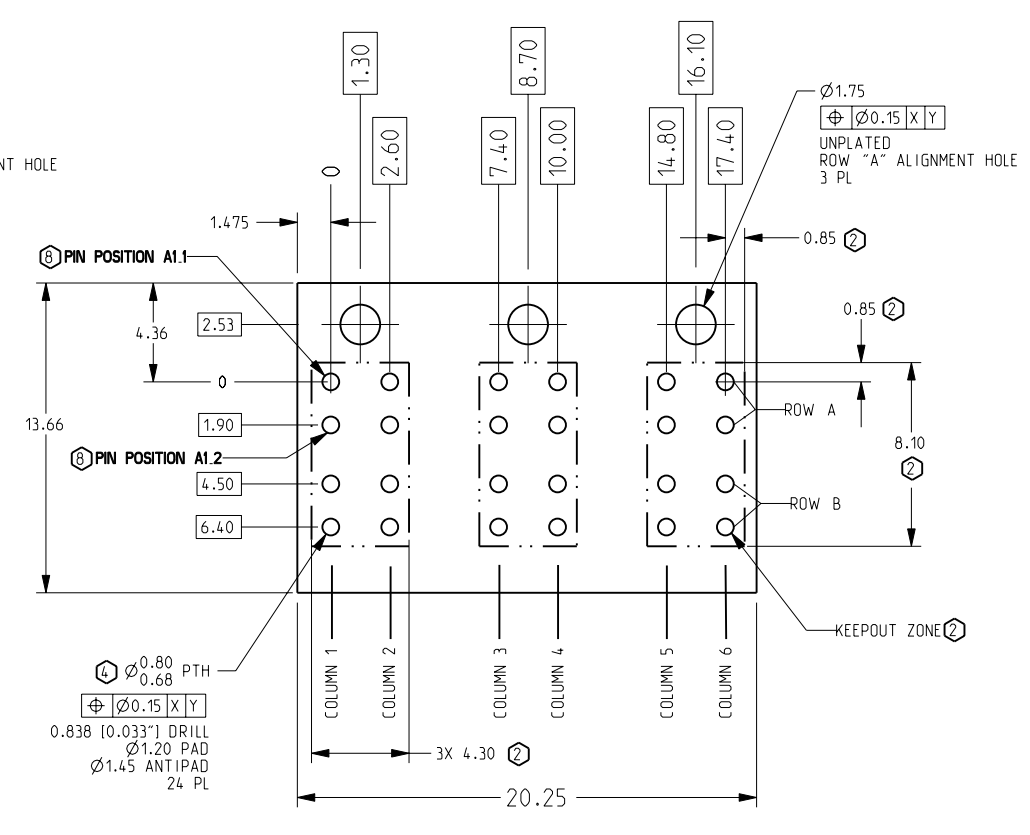
ZONE	REV	SCR NUMBER	DESCRIPTION	BY	DATE	APPROVED
			SEE SHEET 1			



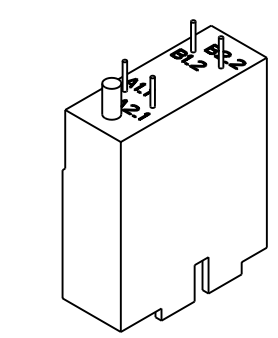
1 POSITION BP POWER
GBX HOLE PATTERN
SCALE 3/1



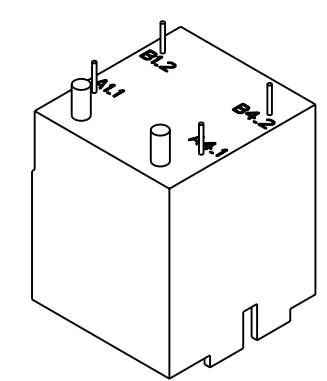
2 POSITION BP POWER
GBX HOLE PATTERN
SCALE 3/1



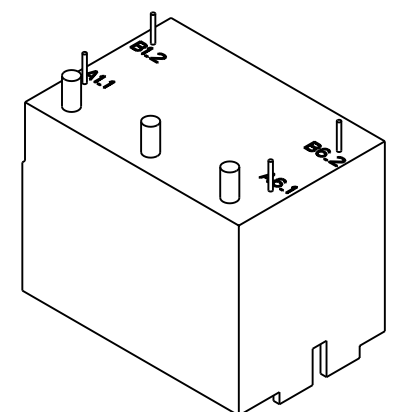
3 POSITION BP POWER
GBX HOLE PATTERN
SCALE 3/1



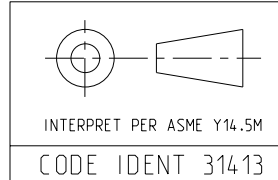
1 POSITION MODULE
SCALE 2/1



2 POSITION MODULE
SCALE 2/1



3 POSITION MODULE
SCALE 2/1



TOLERANCES		DESIGN
0.0	±0.25	09-22-2004 M.DEROSA
0.00	±0.13	DRAWN 09-22-2004 M.DEROSA
0.000	± -	CHK 09-22-2004 J.DUNHAM
ANGLES	± -	APVD 09-22-2004 J.DUNHAM

UNLESS OTHERWISE SPECIFIED DIMENSIONS ARE IN MM. DECIMAL MARKER IS A PERIOD

CUSTOMER USE
DRAWING

Amphenol TCS A Division of Amphenol Corporation 200 Innovative Way, Nashua, NH 03062 603.879.3000		TITLE	BACK PLANE POWER ASSEMBLY GbX 2 PAIR
		PART NO.	SEE TABLE 1
DRAWING NO.	C-439-3200-500	REV	D
Pro/E type:	P1034-CU-BP-POWER	1.3	
Pro/E DRAWING:	C-439-3200-500	D.0	
SIZE	B	SCALE	1/1
		SHEET	2 OF 2

DRW NO. C-439-3200-500

SH 2 REV D