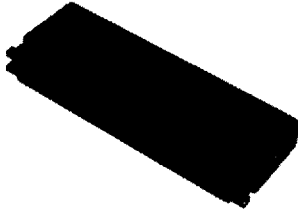


AMP Terminators for SCSI-1, -2 Low Density Narrow

AMP-LATCH Terminators, Unshielded For .050 Centerline Ribbon Cable

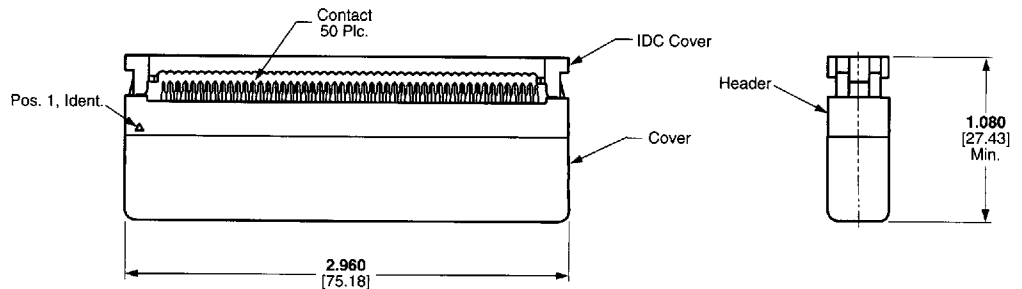
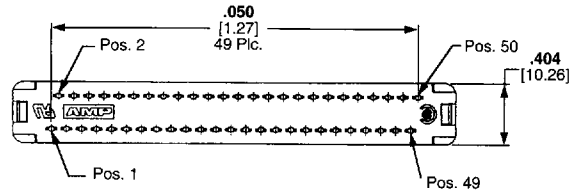


Material and Finish:

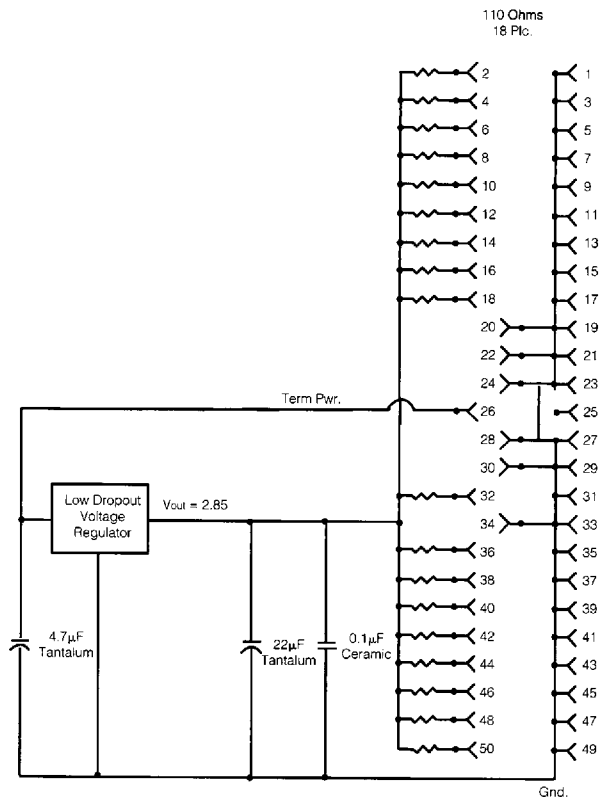
Covers and Housings—UL 94V-0 rated thermoplastic, black

Contacts—Phosphor bronze, plated .000100 [0.00254] min. tin or tin-lead over .000050 [0.00127] min. nickel

Resistors—Thick film resistor composition on alumina substrate



Single-Ended, Active
Part No. 869574-1



Note: For Application Tooling, see page 37.