

# GERMANIUM SMALL SIGNAL TRANSISTORS

## PRO ELECTRON TYPES

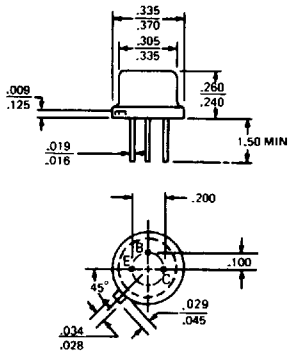
Type	Polar-ity	$V_{CB0}$ V Max	$V_{EBO}$ V Max	$V_{CE}$ V Max		$I_{CB0}$ @ $V_{CB}$ V $\mu$ A Max	$h_{FE}$ Min Max	@ $I_c$ mA	$C_{ob}$ pf Max	fab MHZ Min	Pack Outline	Power Dissipation @ 25°C MW
AC107	P	15						35-	300 <sup>1</sup>		TO-1	80
AC116	P	30	12	18		6	8	50-140	20	21 <sup>2</sup>	NS257	145
AC117	P	32	10	18		6	18	40-	150		NS257	260
AC121-IV	P	20	10	20				30-60	100	40	TO-1	900
AC121-V	P	20	10	20				50-100	100	40	TO-1	900
AC121-VI	P	20	10	20				75-150	100	40	TO-1	900
AC121-VII	P	20	10	20				125-250	100	40	TO-1	900
AC122	P	30	18	18		6	8	40-200	2 <sup>1</sup>	21 <sup>2</sup>	TO-1	130
AC122/30	P	45	12	32		6	8	40-200	2 <sup>1</sup>	21 <sup>2</sup>	TO-1	130
AC123	P	45	12	32		6	8	50-140	20	21 <sup>2</sup>	NS257	145
AC124	P	45	10	32		6	18	40-170	150		NS257	260
AC125	P	32	10	12		10	10	50-	2	50	TO-1	500
AC126	P	32	10	12		10	10	65-	2	50	TO-1	500
AC127	N	32	10	12				50-	500	70 <sup>2</sup>	TO-1	340
AC128	P	32	10	16		10	10	55-175	50	100	TO-1	1,000
AC128K	P	32	10	16		10	10	55-175	50	100	NS257	1,000
AC130	N	20									TO-1	
AC131	P	30	10	18		6	18	40-	150		TO-1	212
AC132	P	32	10	12		0.5	10	135 <sup>2</sup> -	20	40 <sup>2</sup>	TO-1	500
AC138	P	32	10	20		10	15	30-	5 <sup>1</sup>		TO-1	720
AC139	P	32	10	20		10	15	40-160	400		TO-1	720
AC141	N	32	10	18		10	35	40-160	400		TO-1	720
AC142	P	32	10	20		10	15	40-160	400		TO-1	720
AC142K	P	32	10	20		10	15	40-160	400		NS257	860
AC151	P	32	10	2Y		10	10	30 <sup>1</sup> -	2	27 <sup>2</sup>	TO-1	900
AC152	P	32	10	2Y		0.5	10	30-150	100	40	TO-1	900
AC153	P	32	10	18		10	10	50-250	300	100	TO-1	1,000
AC153K	P	32	10	18		10	10	50-250	300	100	NS257	1,000
AC162	P	32	10	2Y		10	10	100 <sup>2</sup>	50	40	TO-1	900
AC163	P	32	10	2Y		10	10	65-	2	40	TO-1	900
AC173	P	32	10	2Y				50-	2 <sup>1</sup>		TO-1	200
AC176	N	32	10	18		10	35	50-250	300	100 <sup>2</sup>	TO-1	700
AC178	P	20	10	15		6	35	60-	150		NS257	180
AC179	N	20	10	15		6	10 <sup>2</sup>	60-	150		NS257	180
AC180	P	32	20	16				50-250	600		TO-1	600
AC180K	P	32	20	16				50-250	600		NS257	2,500
AC181	N	32	20	16				50-250	600		TO-1	600
AC181K	N	32	20	16				50-250	600		NS257	2,500
AC182	P	32	20	18				50-	1 <sup>1</sup>	4.0 <sup>2</sup>	TO-1	200
AC183	N	32	20	16				50-	2 <sup>1</sup>	4.0 <sup>2</sup>	TO-1	250
AC184	P	32	20	16				50-250	300		TO-1	600
AC185	N	32	20	16				50-250	300		TO-1	600
AC187	N	25	10	15		10	35	100-500	300	180	TO-1	1,000
AC187K	N	25	10	15		10	35	100-500	300	180	NS257	1,000
AC188	P	25	10	15		10	15	100-500	300	110	TO-1	1,000
AC188K	P	25	10	15		10	15	100-500	300	100	NS257	1,000
AC193	P	32	10	15		10	15	90-400	400	40 <sup>2</sup>	TO-1	220
AC193K	P	32	10	15		10	15	90-400	400	40 <sup>2</sup>	TO-1	260
AC194	N	32	10	15		10	35	90-400	400	80 <sup>2</sup>	TO-1	220
AC194K	N	32	10	15		10	35	90-400	400	80 <sup>2</sup>	TO-1	260
ACY11	P	32	16	30		5	12	38-	10	35	TO-1	150
ACY14	P	32	16	30		5	12	54-	10	35	TO-1	150
ACY17		70	12	32		6	10	50-150	300	40	TO-5	200
ACY18		50	12	30		6	10	40-120	300	40	TO-5	200
ACY19		50	12	30		6	10	80-250	300	40	TO-5	200
ACY20		40	12	20		6	10	50-145	50	40	TO-5	200
ACY21		40	12	20		6	10	90-250	50	40	TO-5	200
ACY22		20	12	15		6	10	30-300	300	40	TO-5	200
ACY23	P	32	16	30				50-	1 <sup>1</sup>	0.5	TO-1	900
ACY27	P	40	30	20		30	12	20-55	1 <sup>1</sup>	1.0 <sup>2</sup>	TO-1	200
ACY28	P	40	30	15		30	12	45-150	1 <sup>1</sup>	40	TO-1	200
ACY29	P	40	30	15		30	12	45-150	1 <sup>1</sup>	40	TO-1	200
ACY30	P	40	40	20		30	12	60-200	1 <sup>1</sup>	40	TO-1	200
ACY31	P	40	20	30		12	5	35-70	1 <sup>1</sup>	40	TO-1	200
ACY32	P	32	16	30		10	10	50-150	1 <sup>1</sup>	27 <sup>2</sup>	TO-1	900

<sup>1</sup>hfe  
<sup>2</sup>typical

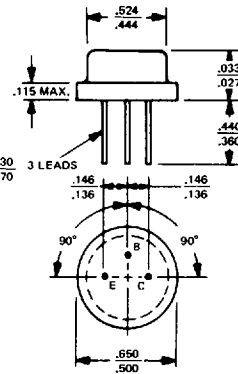
# GERMANIUM POWER TRANSISTORS

## CASE OUTLINE DRAWINGS & DIMENSIONS

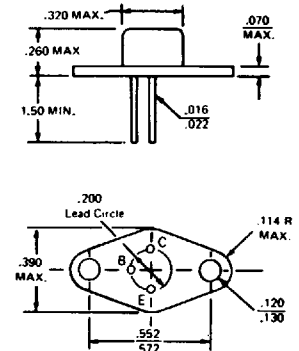
**TO-5**



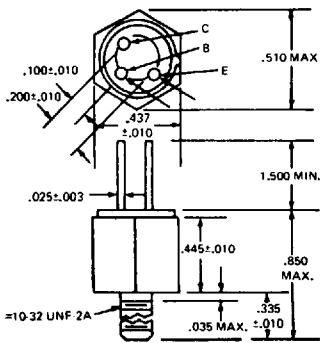
**TO-8**



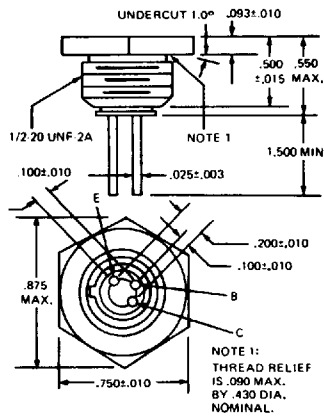
**TO-37**



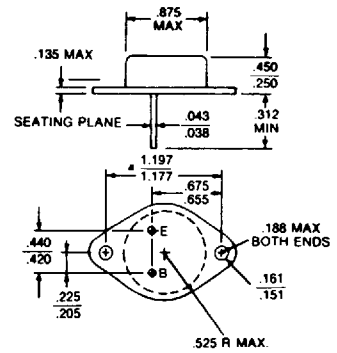
**MT-27**



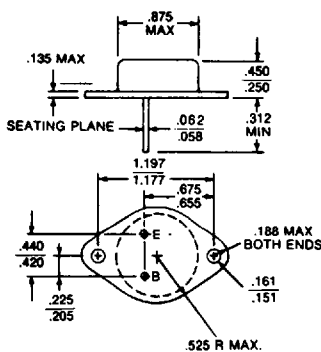
**MT-28**



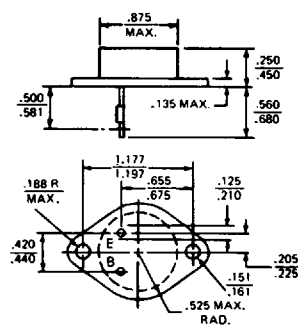
**TO-3**



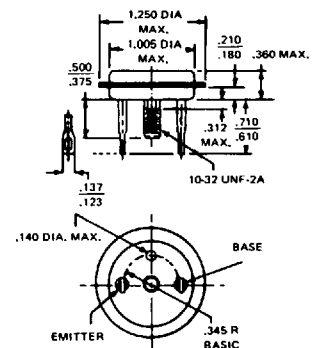
**MODIFIED TO-3  
(60 mil pins)**



**TO-41**



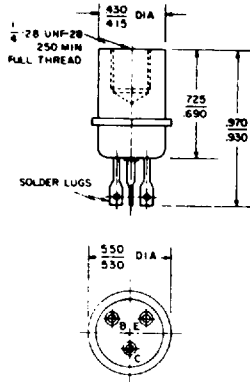
**TO-36**



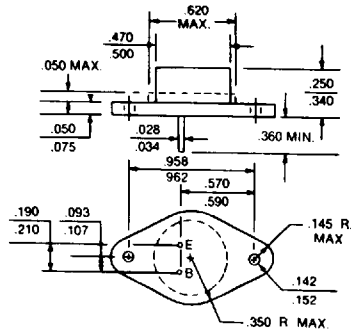
# GERMANIUM POWER TRANSISTORS

## CASE OUTLINE DRAWINGS & DIMENSIONS

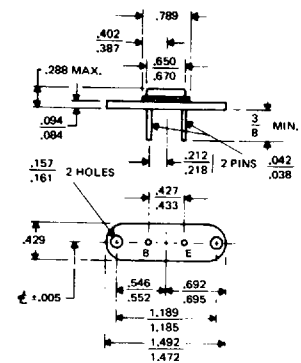
TO-13



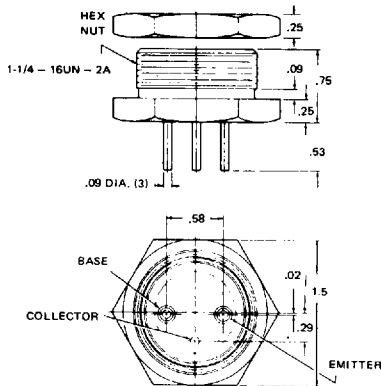
TO-66



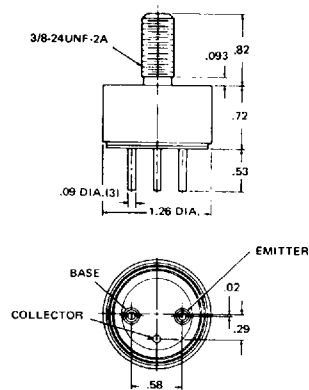
MS-7



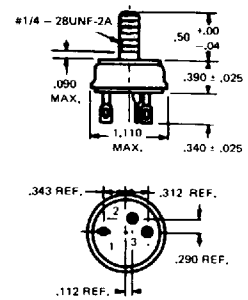
MT-22



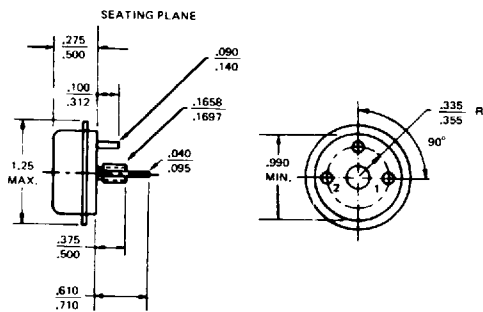
MT-23



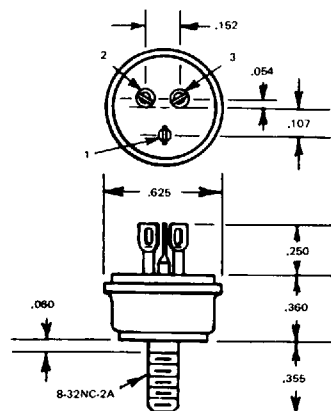
MT-7



TO-68



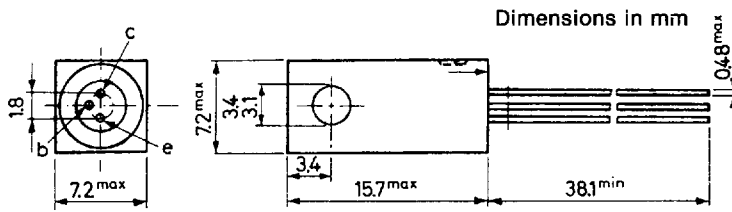
MT-36



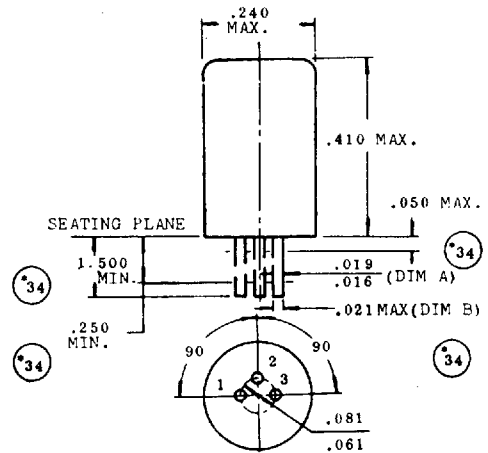
# GERMANIUM POWER TRANSISTORS

## CASE OUTLINE DRAWINGS & DIMENSIONS

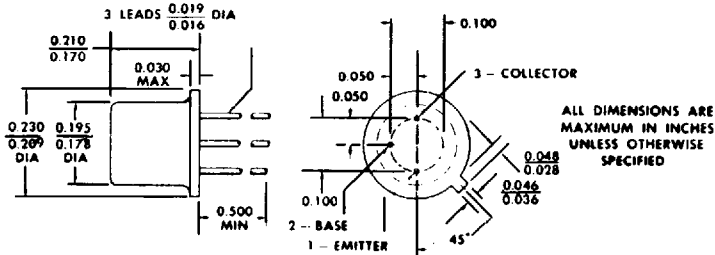
NS257



TO-1



TO-18



THE COLLECTOR IS ELECTRICAL  
CONTACT WITH THE CASE.

ALL JEDEC TO-18 DIMENSIONS  
AND NOTES ARE APPLICABLE.



**GERMANIUM POWER DEVICES CORP.**

300 Brickstone Square · York Street · P.O. Box 3065  
Shawsheen Village Station · Andover, Massachusetts 01810  
Telephone (508) 475-5982 · FAX (508) 470-1512

26

Printed in U.S.A.

■ 3947375 0000689 52T ■

54134