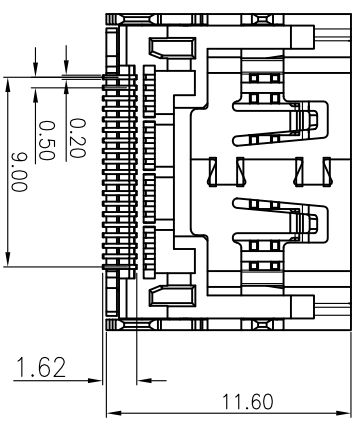
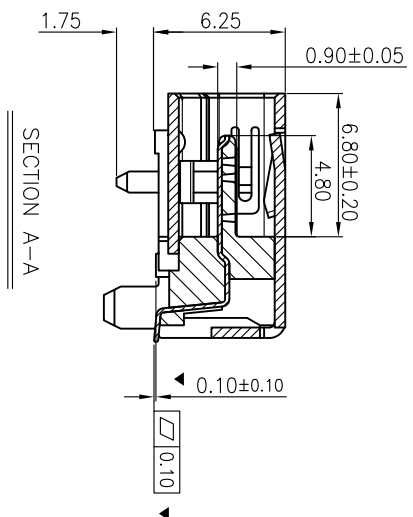
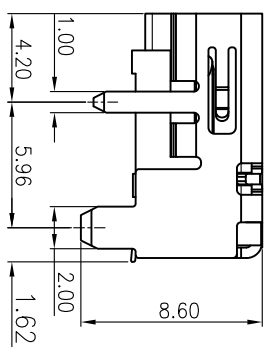
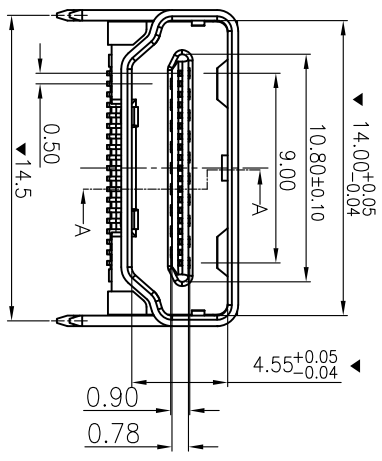
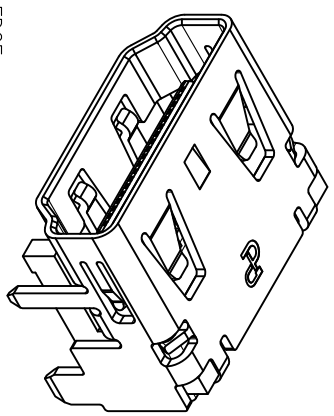
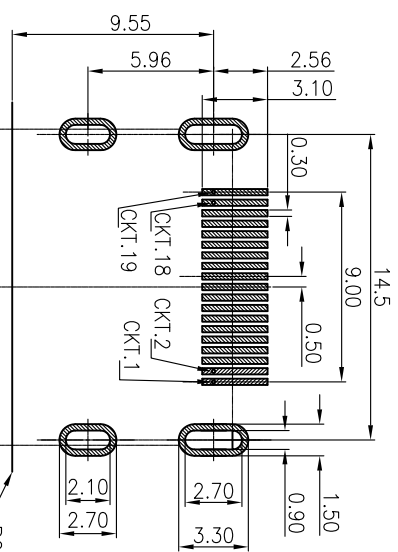
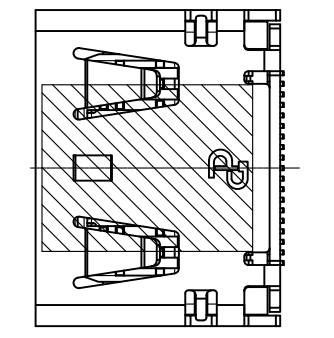


REV	DESCRIPTION	ECN. NO.	APPROVED/DATE
A	NEW RELEASE		BRIAN 2013/03/12



- SERIES: HDMI027: HDMI CONNECTOR HDMI CONNECTOR/FEMALE, 19PIN, SMT TYPE
- POSITIONS: K: 19 POSITIONS.
- INSULATOR COLOR: K: BLACK  
W: WHITE  
C: CREAM-COLORED
- CONTACT PLATING: 1: Au 1u"  
2: Au 3~5u"  
3: Au 15u"  
4: Au 30u"  
5: Au 30u"
- ENVIRONMENT: O: ROHS  
H: HALOGEN FREE
- WAY OF PACKING: T: TRAY  
R: TAPE & REEL  
B: WATERPROOF BAG

3	OUTER SHELL	1	S-ST-HDM-2-01	S-HDM-2-2K**0000	CARBON STEEL	NICKEL
2	TERMINAL	19	T-ST-HDM-2-02	T-HDM-2-1K**002N	PHOSPHOR BRONZE	AU OVER Ni
1	HOUSING	1	B-ST-HDM-2-02	B-HDM-2-KK*0*02N	THERMOPLASTIC	N/A
ITEM	PART NAME	QTY/EA	DRAWING NO:	PART NO:	MATERIAL	PLATING
1	2	3	4	5	6	7

GENERAL TOLERANCE	ANGLE TOLERANCE	NAME/(INTENDED USE) CUSTOMER DRAWING	TITLE
X: ±0.38 X: ±0.25 .XX ±0.13 .XXX ±0.05	X°: ±2.0° X: ±1.0° .XX: ±0.5°	PART NO. HDMI030-KC*-**	HDMI CONNECTOR <HDMI CONNECTOR, FEMALE, 19PIN, SMT TYPE>
MAJOR: ▼ = 5 places	SCALE 1 : 1	APPROVED	
CRITICAL: ▼ =	UNIT mm	CHECKED	
SHEET 1 OF 1	DESIGN	DATE	
			SERIES: HDMI SERIES
			DRAWING NO. C-HDM030-00
			SIZE A4
			REV. A



PALCONN TECHNOLOGY CO.,LTD.