

PHOTOCOUPLER LTV-480-H-AB series

LTV-480-H-AB series

Positive Logic High CMR Intelligent Power Module and Gate Drive Interface Photocoupler

Description

The LTV-480-H-AB series fast speed photocoupler contains a AlGaAs LED and photo detector with built-in Schmitt trigger to provide logic-compatible waveforms, eliminating the need for additional wave shaping. The totem pole output eliminates the need for a pull up resistor and allows for direct drive Intelligent Power Module or gate drive. Minimized propagation delay difference between devices makes these optocouplers excellent solutions for improving inverter efficiency through reduced switching dead time.

Features

- Positive output type (totem pole output)
- Truth Table Guaranteed: V_{CC} from 4.5V to 30V
- Performance Specified for Common IPM Applications Over Industrial Temperature Range.
- Short Maximum Propagation Delays
- Minimized Pulse Width Distortion (PWD)
- Very High Common Mode Rejection (CMR)
- Hysteresis
- Safety approval
 - UL 1577 recognized with 5000 V_{RMS} for 1 minute for LTV-480P and LTV-480W
 - VDE DIN EN 60747-5-5 Approved
 - $V_{IORM} = 891V_{peak}$ for LTV-480P
 - $V_{IORM} = 1140V_{peak}$ for LTV-480W

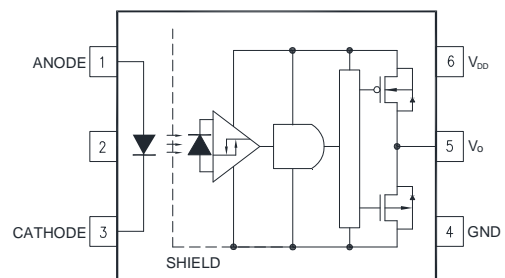
Specification

- Wide operating temperature range: $-40^{\circ}C$ to $105^{\circ}C$
- Maximum propagation delay $t_{PLH} / t_{PHL} = 250/250$ ns
- Maximum Pulse Width Distortion (PWD) = 120 ns
- Propagation Delay Difference Min/Max = $-100/100$ ns
- Wide Operating V_{CC} Range: 4.5 to 30Volts
- 20 kV/ μs minimum common mode rejection (CMR) at $V_{CM} = 1000$ V

Applications

- IPM Interface Isolation
- Isolated IGBT/MOSFET Gate Drive
- AC and Brushless DC Motor Drives
- Industrial Inverters
- General Digital Isolation

Functional Diagrams



Truth Table (Positive Logic)

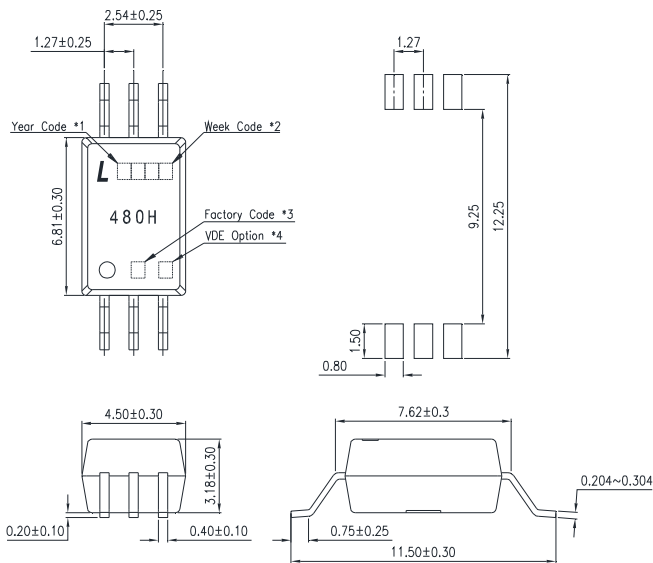
LED	OUT
ON	H
OFF	L

A 0.1 μF bypass Capacitor must be connected

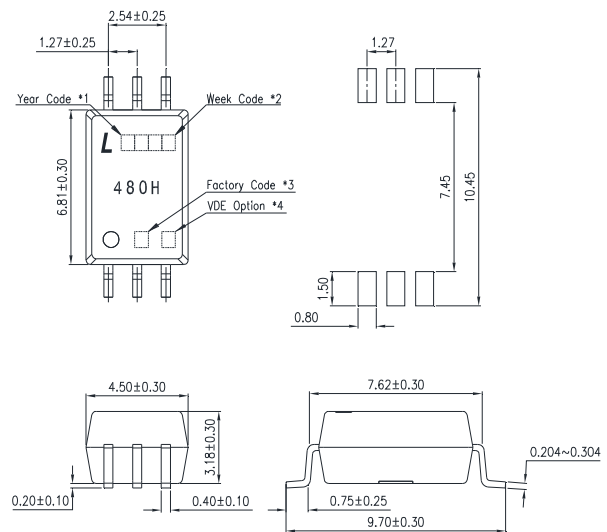
PHOTOCOUPLER LTV-480-H-AB series

2. PACKAGE DIMENSIONS

2.1 LTV-480W-H-AB



2.2 LTV-480P-H-AB



Notes :

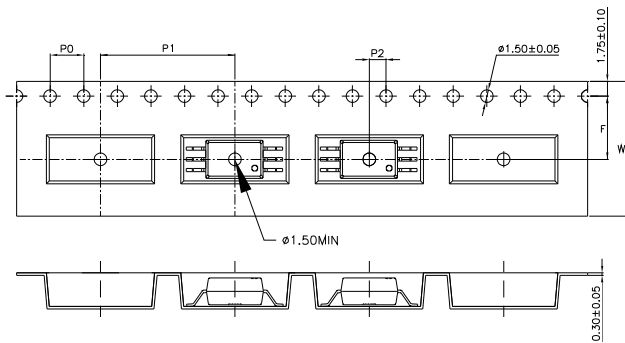
1. Year date code.
2. 2-digit work week.
3. Factory identification mark (Y : Thailand).
4. "4" or "V" for VDE option.

* Dimensions are in Millimeters and (Inches).

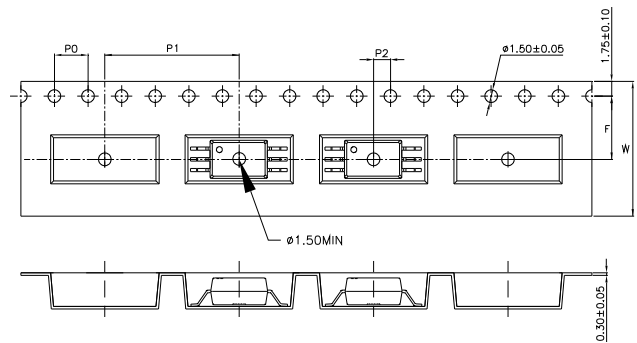
PHOTOCOUPLER LTV-480-H-AB series

3. TAPING DIMENSIONS

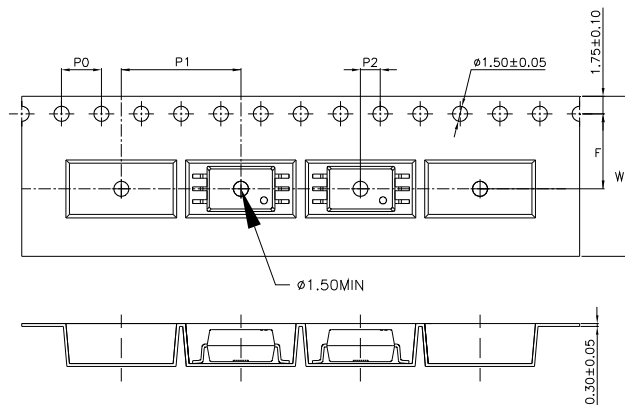
3.1 LTV-480W-TA-H-AB



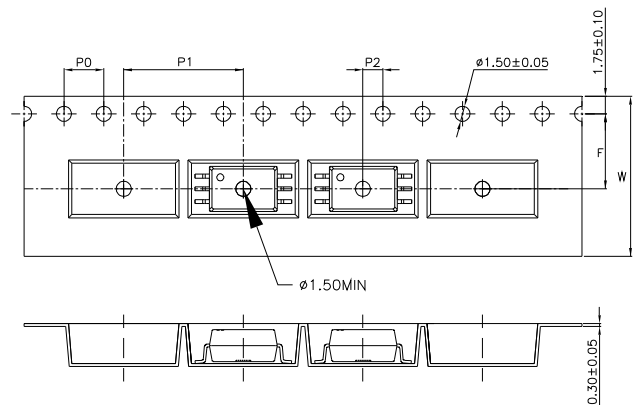
3.2 LTV-480W-TA1-H-AB



3.3 LTV-480P-TA-H-AB



3.4 LTV-480P-TA1-H-AB



Description	Symbol	Dimension in mm (inch)	
		For W type	For P type
Tape wide	W	16±0.3 (0.63)	16±0.3 (0.63)
Pitch of sprocket holes	P_0	4±0.1 (0.16)	4±0.1 (0.16)
Distance of compartment	F	7.5±0.1 (0.3)	7.5±0.1 (0.3)
	P_2	2±0.1 (0.079)	2±0.1 (0.079)
Distance of compartment to compartment	P_1	16±0.1 (0.63)	12±0.1 (0.47)

3.5 Quantities Per Reel

Package Type	LTV-480-H series
Quantities (pcs)	1000

PHOTOCOUPLER LTV-480-H-AB series

4. RATING AND CHARACTERISTICS

4.1 Absolute Maximum Ratings at Ta=25°C

	Parameter	Symbol	Rating	Unit	Note
Input	Average Forward Input Current	I_F	10	mA	
	Peak Transient Input Current (<1us pulse width, 300pps)	$I_{F(tran)}$	1.0	A	
	Reverse Input Voltage	V_R	5	V	
Output	Output Collector Current	I_O	50	mA	
	Output Collector Voltage	V_O	-0.5 ~ +35	V	
	Total Package Power Dissipation	P_T	145	mW	
	Supply Voltage	V_{CC}	35	V	
	Operating Temperature	T_{opr}	-40 ~ +105	°C	
	Storage Temperature	T_{stg}	-55 ~ +125	°C	
	Lead Solder Temperature (10s)	T_{sol}	260	°C	

Note: A ceramic capacitor (0.1 μ F) should be connected between pin 6 and pin 4 to stabilize the operation of a high gain linear amplifier. Otherwise, this Photocoupler may not switch properly. The bypass capacitor should be placed within 1 cm of each pin.

4.2 Recommended Operating Conditions

Parameter	Symbol	Min	Max	Unit	Note
Operating Temperature	T_A	-40	105	°C	
Supply Voltage	V_{CC}	4.5	30	V	1
Forward Input Current (ON)	$I_{F(ON)}$	6	10	mA	
Forward Input Voltage (OFF)	$V_{F(OFF)}$	-	0.8	V	

Note 1: Detector requires a V_{CC} of 4.5 V or higher for stable operation as output might be unstable if V_{CC} is lower than 4.5 V. Be sure to check the power ON/OFF operation other than the supply current.

PHOTOCOUPLER LTV-480-H-AB series

4.3 ELECTRICAL OPTICAL CHARACTERISTICS

	Parameter	Symbol	Min.	Typ.	Max.	Unit	Test Condition	Figure	Note
Input	Input Forward Voltage	V_F	1.2	1.33	1.6	V	$I_F = 6\text{mA}$	6	
	Input Forward Voltage Temperature Coefficient	$\Delta V_F / \Delta T$		-1.237		mV/°C	$I_F = 6\text{mA}$		
	Input Reverse Voltage	BV_R	5			V	$I_R = 10\mu\text{A}$		
	Input Threshold Current (Low to High)	I_{FLH}		1.7	5	mA		5	
	Input Threshold Voltage (High to Low)	V_{FHL}	0.8			V			
	Input Capacitance	C_{IN}		33		pF	$f = 1\text{MHz}, V_F = 0\text{V}$		2
Output	High Level Supply Current	I_{CCH}			3.0	mA	$V_{CC} = 5.5\text{V}, I_F = 10\text{mA}, I_O = 0\text{mA}$		
				1.9	3.0	mA	$V_{CC} = 30\text{V}, I_F = 10\text{mA}, I_O = 0\text{mA}$		
	Low Level Supply Current	I_{CCL}			3.0	mA	$V_{CC} = 5.5\text{V}, V_F = 0\text{V}, I_O = 0\text{mA}$		
				2.0	3.0	mA	$V_{CC} = 30\text{V}, V_F = 0\text{V}, I_O = 0\text{mA}$		
	High level output current	I_{OSH}		-120	-80	mA	$V_{CC} = 5.5\text{V}, I_F = 6\text{mA}, V_O = \text{GND}$	4	1
				-120	-80		$V_{CC} = 20\text{V}, I_F = 6\text{mA}, V_O = \text{GND}$		
	Low level output current	I_{OSL}	80	120		mA	$V_O = V_{CC} = 5.5\text{V}, V_F = 0\text{V}$		1
			80	120			$V_O = V_{CC} = 20\text{V}, V_F = 0\text{V}$		
High level output voltage	V_{OH}	$V_{CC} - 0.5$			V	$I_{OL} = -6.5\text{mA}$	8		
Low level output voltage	V_{OL}			$V_{EE} + 0.5$	V	$I_{OL} = 6.5\text{mA}$	3		

Specified over recommended temperature ($T_A = -40^\circ\text{C}$ to $+105^\circ\text{C}$, $+4.5\text{V} \leq V_{CC} \leq 30\text{V}$), $I_{F(ON)} = 6\text{mA}$ to 10mA , $V_{F(OFF)} = 0\text{V}$ to 0.8V , unless otherwise specified. All typicals at $T_A = 25^\circ\text{C}$.

Note 1: Duration of output short circuit time should not exceed 500 μs .

Note 2: Input capacitance is measured between pin 1 and pin 3.

PHOTOCOUPLER LTV-480-H-AB series

5. SWITCHING SPECIFICATION

Parameter	Symbol	Min.	Typ.	Max.	Unit	Test Condition	Figure	Note
Propagation Delay Time to High Output Level	t_{PLH}		150	250	ns	$C_L = 100\text{pF}$, $V_F = 0\text{V} \rightarrow I_{F(ON)} = 6\text{mA}$	1, 7, 9	1
Propagation Delay Time to Low Output Level	t_{PHL}		130	250		$C_L = 100\text{pF}$, $I_{F(ON)} = 6\text{mA} \rightarrow V_F = 0\text{V}$		1
Pulse Width Distortion	PWD			120		$C_L = 100\text{pF}$,		2
Propagation delay difference between any two parts or channels	PDD	-100		100		$C_L = 100\text{pF}$,		3
Output Rise Time (10 to 90%)	T_r		20				1	
Output Fall Time (90 to 10%)	T_f		20					
Common mode transient immunity at high level output	$ CM_H $	20			kV/ μs	$T_A = 25^\circ\text{C}$, $I_F = 6.0\text{ mA}$, $V_{CM} = 1000\text{ V}$, $V_{CC} = 5\text{ V}$	2	4
Common mode transient immunity at low level output	$ CM_L $	20			kV/ μs	$T_A = 25^\circ\text{C}$, $V_F = 0\text{ V}$, $V_{CM} = 1000\text{ V}$, $V_{CC} = 5\text{ V}$		

Over recommended operating conditions $T_A = -40^\circ\text{C}$ to 105°C , $V_{CC} = +4.5\text{ V}$ to 30 V , $I_{F(ON)} = 6\text{ mA}$ to 10 mA , $V_{F(OFF)} = 0\text{ V}$ to 0.8 V , unless otherwise specified. All typicals at $T_A = 25^\circ\text{C}$.

Note 1: The t_{PLH} propagation delay is measured from the 50% point on the leading edge of the input pulse to the 1.3 V point on the leading edge of the output pulse. The t_{PHL} propagation delay is measured from the 50% point on the trailing edge of the input pulse to the 1.3 V point on the trailing edge of the output pulse.

Note 2: Pulse Width Distortion (PWD) is defined as $|t_{PHL} - t_{PLH}|$ for any given device.

Note 3: The difference of t_{PLH} and t_{PHL} between any two devices under the same test condition.

Note 4: CM_H is the maximum slew rate of the common mode voltage that can be sustained with the output voltage in the logic high state, $V_O > 2.0\text{ V}$. CM_L is the maximum slew rate of the common mode voltage that can be sustained with the output voltage in the logic low state, $V_O < 0.8\text{ V}$. Note: Equal value split resistors ($R_{in}/2$) must be used at both ends of the LED.

**PHOTOCOUPLER
LTV-480-H-AB series**

6. ISOLATION CHARACTERISTIC

Parameter	Symb	Min.	Typ.	Max	Unit	Test Condition	Note
Withstand Insulation Test Voltage	V_{ISO}	5000	—	—	V_{RMS}	$RH \leq 50\%$, $t = 1\text{min}$, $T_A = 25^\circ\text{C}$	1, 2
Input-Output Resistance	R_{I-O}	—	10^{12}	—	Ω	$V_{I-O} = 500\text{V DC}$	1
Input-Output Capacitance	C_{I-O}	—	1.	—	p	$f = 1\text{MHz}$, $T_A = 25^\circ\text{C}$	1

Specified over recommended temperature ($T_A = -40^\circ\text{C}$ to $+105^\circ\text{C}$) unless otherwise specified. Typical values applies to $T_A = 25^\circ$

Note 1: Device considered a two-terminal device: pins 1, 2 and 3 shorted together and pins 4, 5 and 6 shorted together.

Note 2: In accordance with UL 1577, each optocoupler is proof tested by applying an insulation test voltage $\geq 6000 V_{RMS}$ for one second (leakage detection current limit, I-I-O $< = 10 \mu\text{A}$). This test is performed before the 100% production test.

PHOTOCOUPLER LTV-480-H-AB series

7. TEST CIRCUIT

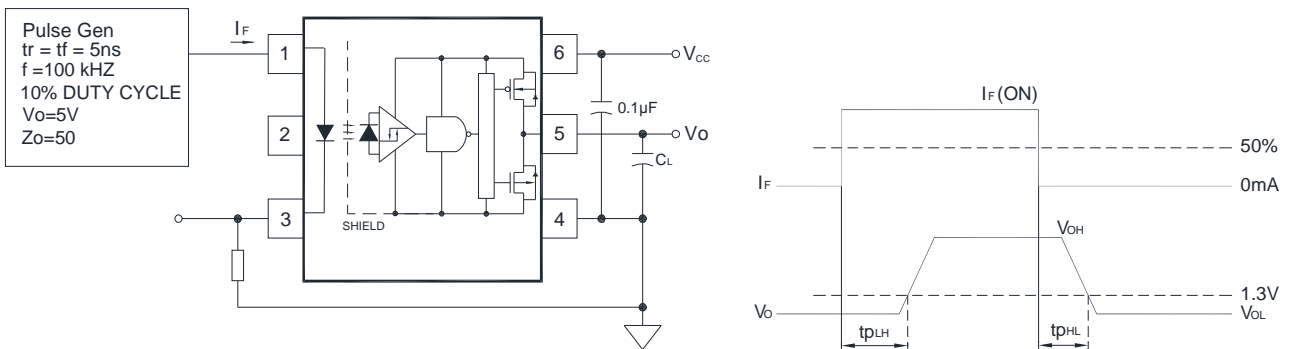
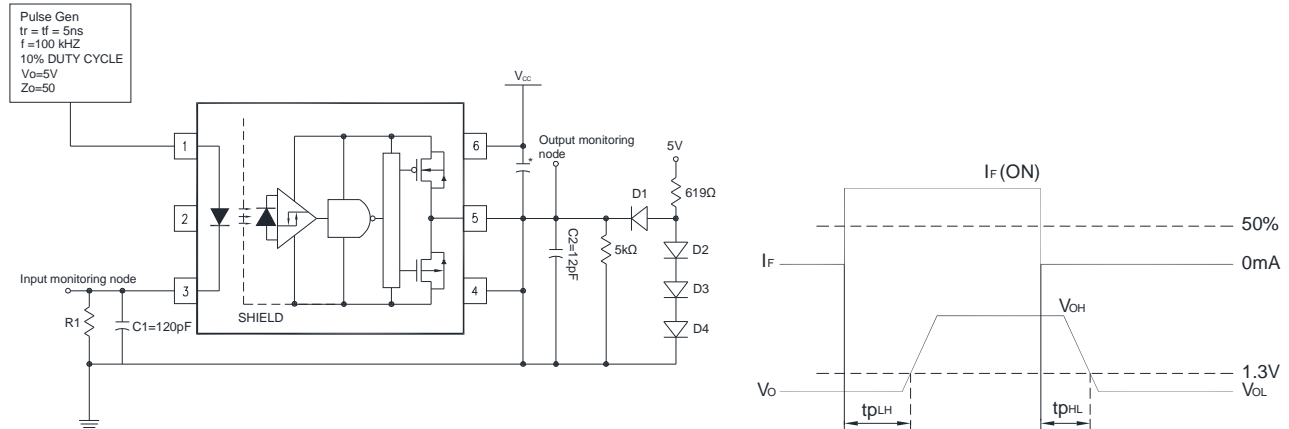


Figure 1 : t_r , t_f , t_{PLH} and t_{PHL} Test Circuit and Waveforms

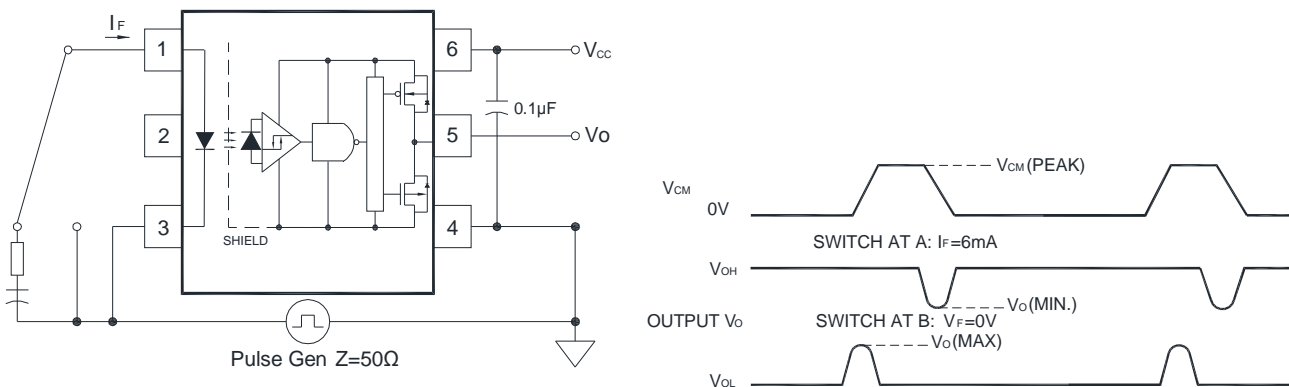


Figure 2 : CMR Test Circuit and Waveforms

PHOTOCOUPLER LTV-480-H-AB series

8. TYPICAL PERFORMANCE CURVES

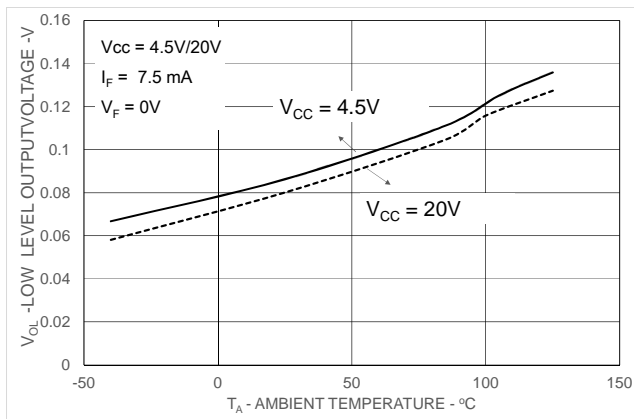


Figure 3: V_{OL} vs. Temperature

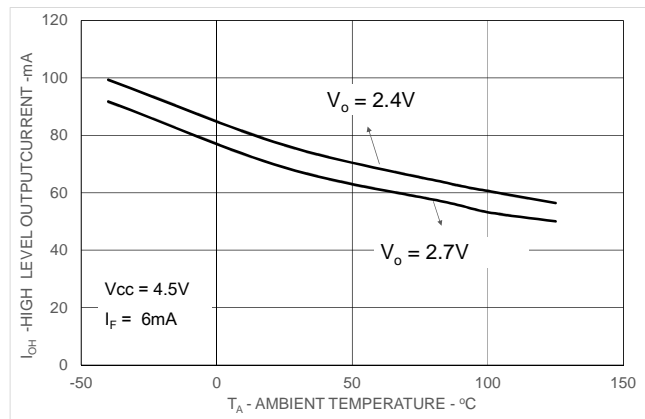


Figure 4: Typical Logic High Output Current vs. Temperature

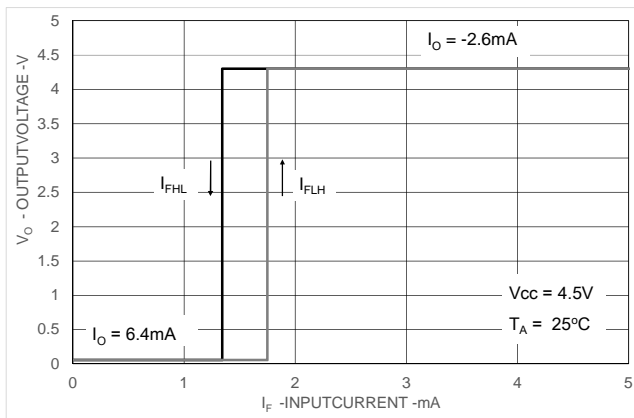


Figure 5: Typical Output Voltage vs. Forward Input Current

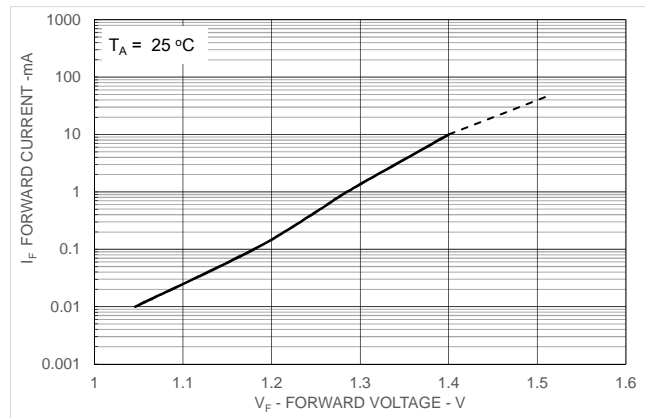


Figure 6: Typical Input Diode Forward Characteristic

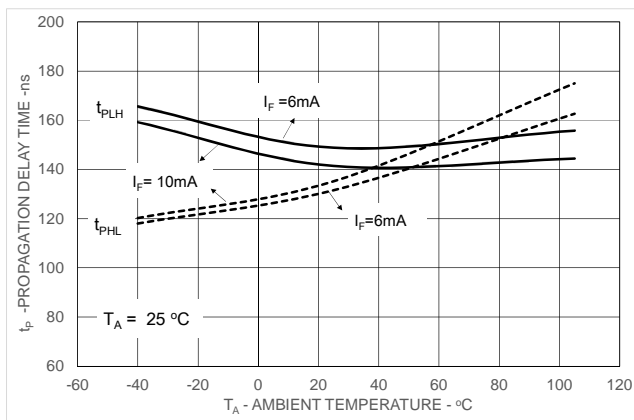


Figure 7: Typical Propagation Delays vs. Temperature

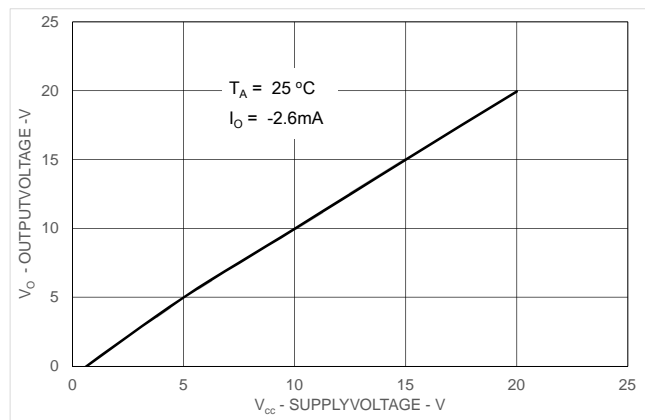


Figure 8: Typical Logic High Output Voltage vs. Temperature

**PHOTOCOUPLER
LTV-480-H-AB series**

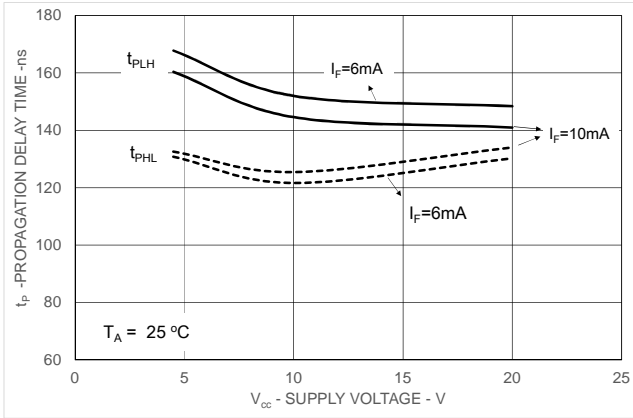


Figure 9: Typical Logic High Output Voltage vs. Supply Voltage

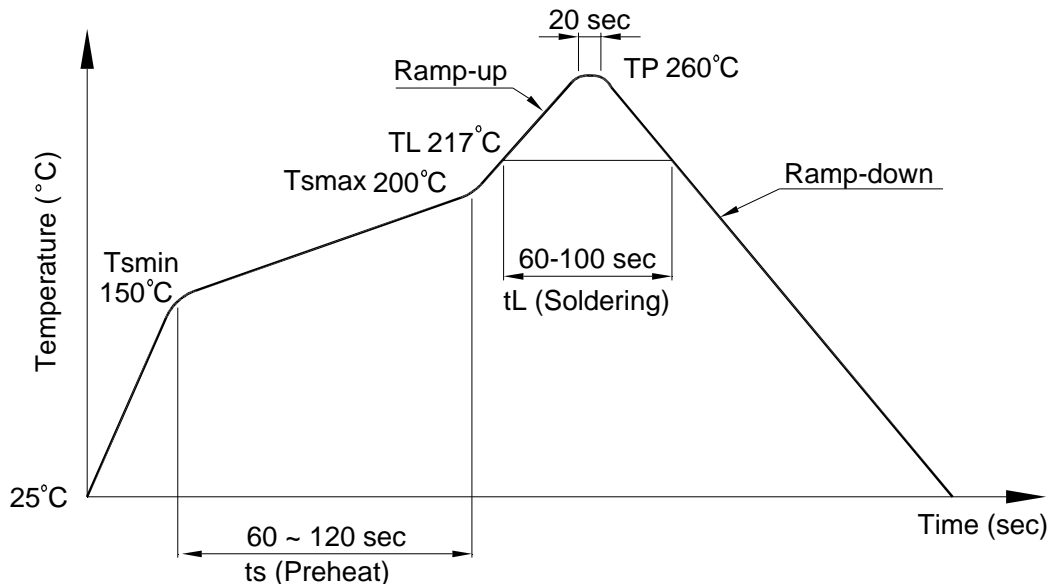
PHOTOCOUPLER LTV-480-H-AB series

9. TEMPERATURE PROFILE OF SOLDERING

9.1 IR Reflow soldering (JEDEC-STD-020C compliant)

One time soldering reflow is recommended within the condition of temperature and time profile shown below. Do not solder more than three times.

Profile item	Conditions
Preheat	
- Temperature Min (T_{Smin})	150°C
- Temperature Max (T_{Smax})	200°C
- Time (min to max) (ts)	90±30 sec
Soldering zone	
- Temperature (T_L)	217°C
- Time (t_L)	60 ~ 100sec
Peak Temperature (T_P)	260°C
Ramp-up rate	3°C / sec max.
Ramp-down rate	3~6°C / sec



**PHOTOCOUPLER
LTV-480-H-AB series**

9.2 Wave soldering (JEDEC22A111 compliant)

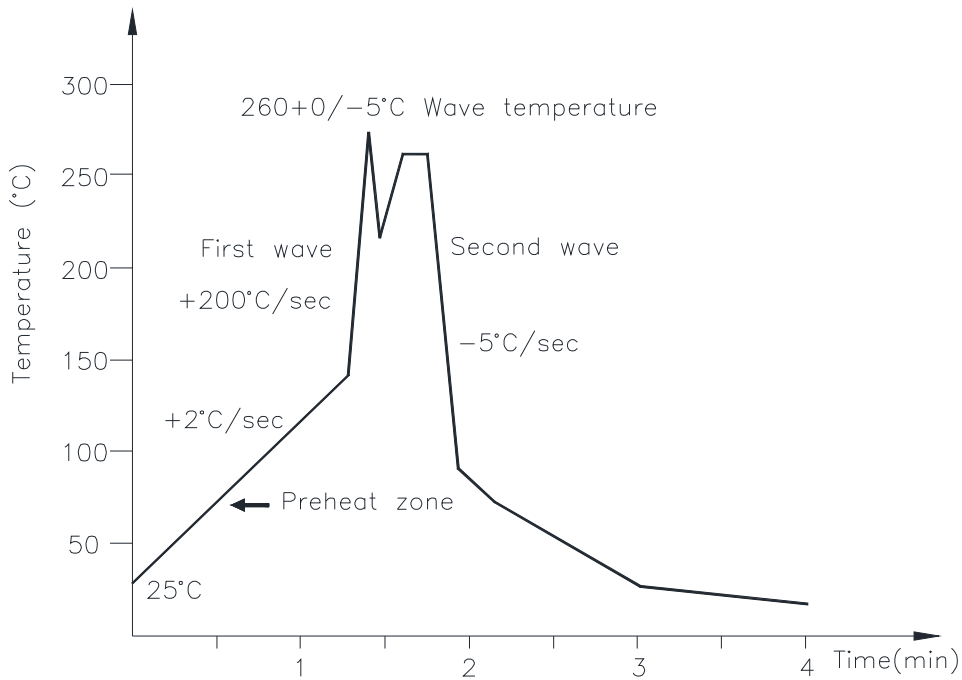
One time soldering is recommended within the condition of temperature.

Temperature: $260+0/-5^{\circ}\text{C}$

Time: 10 sec.

Preheat temperature: 25 to 140°C

Preheat time: 30 to 80 sec.



9.3 Hand soldering by soldering iron

Allow single lead soldering in every single process. One time soldering is recommended.

Temperature: $380+0/-5^{\circ}\text{C}$

Time: 3 sec max.

PHOTOCOUPLER LTV-480-H-AB series

10. NAMING RULE

Part Number Options
LTV-480P-TA-H-AB
LTV-480P-TA1-H-AB
LTV-480W-TA-H-AB
LTV-480W-TA1-H-AB
LTV480PTA-V-H-AB
LTV480PTA1-V-H-AB
LTV480WTA-V-H-AB
LTV480WTA1-V-H-AB

Definition of Suffix	Remark
"480-H"	LiteOn model name
"AB"	Customized suffix
"P"	clearance distance 7mm typical
"W"	clearance distance 8mm typical
"TA"	Pin 1 location at lower right of the tape
"TA1"	Pin 1 location at upper left of the tape
"V"	VDE approved option

11. Notes:

- LiteOn is continually improving the quality, reliability, function or design and LiteOn reserves the right to make changes without further notices.
- The products shown in this publication are designed for the general use in electronic applications such as office automation equipment, communications devices, audio/visual equipment, electrical application and instrumentation.
- For equipment/devices where high reliability or safety is required, such as space applications, nuclear power control equipment, medical equipment, etc, please contact our sales representatives.
- When requiring a device for any "specific" application, please contact our sales in advice.
- If there are any questions about the contents of this publication, please contact us at your convenience.
- The contents described herein are subject to change without prior notice.
- Immerse unit's body in solder paste is not recommended.