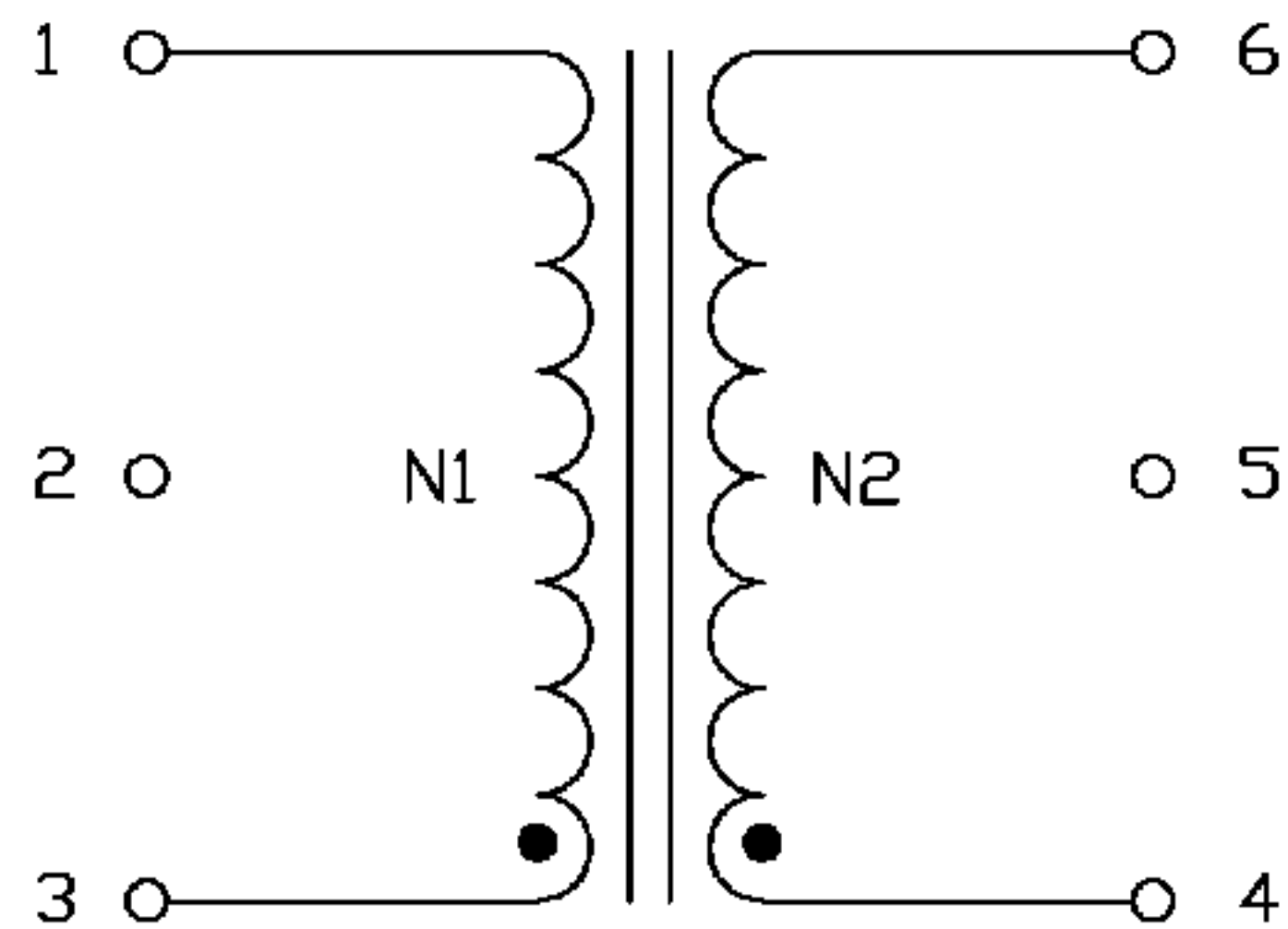


THE INFORMATION CONTAINED HEREIN IS CONSIDERED "PROPRIETARY" TO BEL FUSE INC. AND SHALL NOT BE COPIED, REPRODUCED OR DISCLOSED WITHOUT THE WRITTEN APPROVAL OF BEL FUSE INC.



ELECTRICAL CHARACTERISTIC

SCHEMATIC



TURNS RATIO

N1 : N2 1 : 1

□CL

P4 - P6 40μH MIN.
@100kHz 20mV

LL

P4 - P6 (WITH P1 - P3 SHORTED) 80nH MAX.
@100kHz 20mV

Cw/w

N1 TO N2 10pF MAX.
@100kHz 20mV

HIPOT

PER HAND-WORK-03

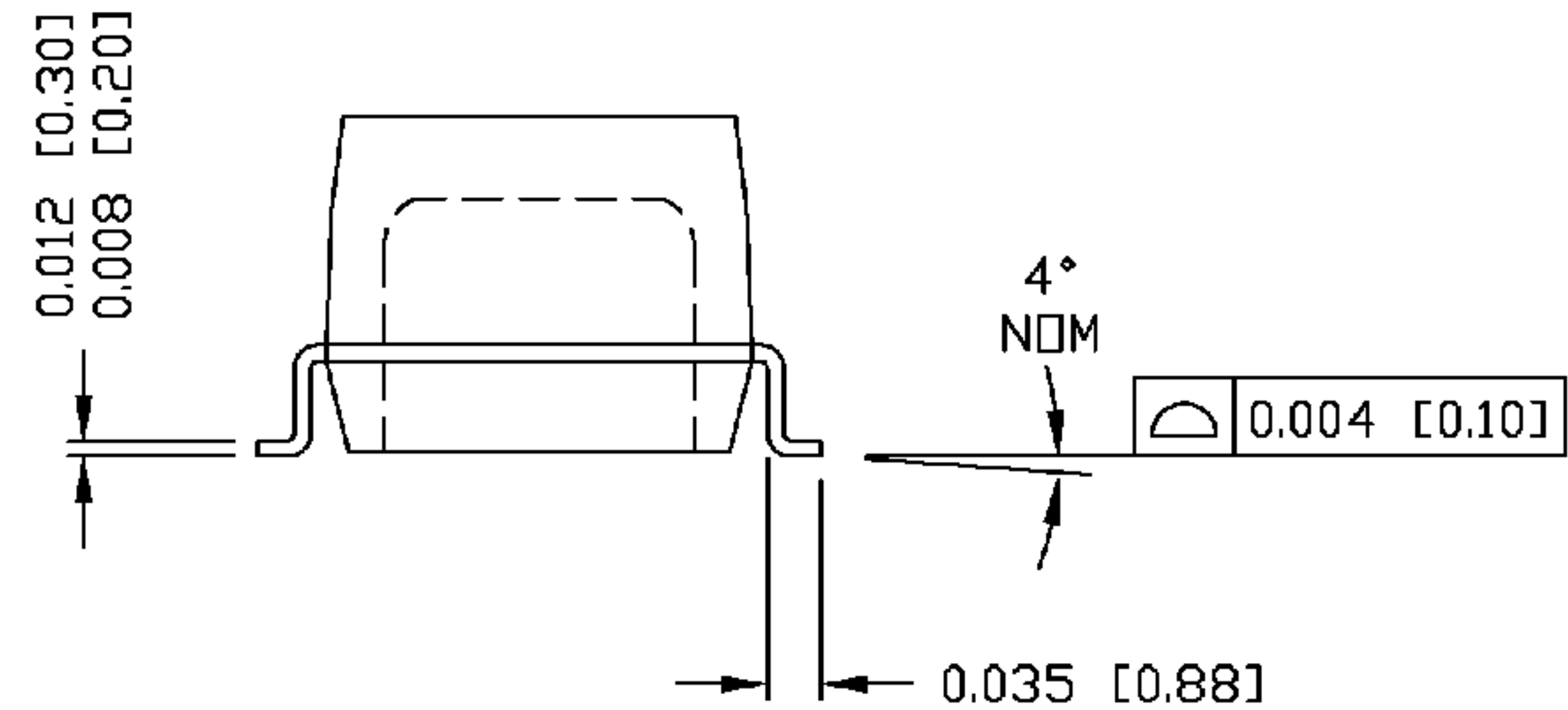
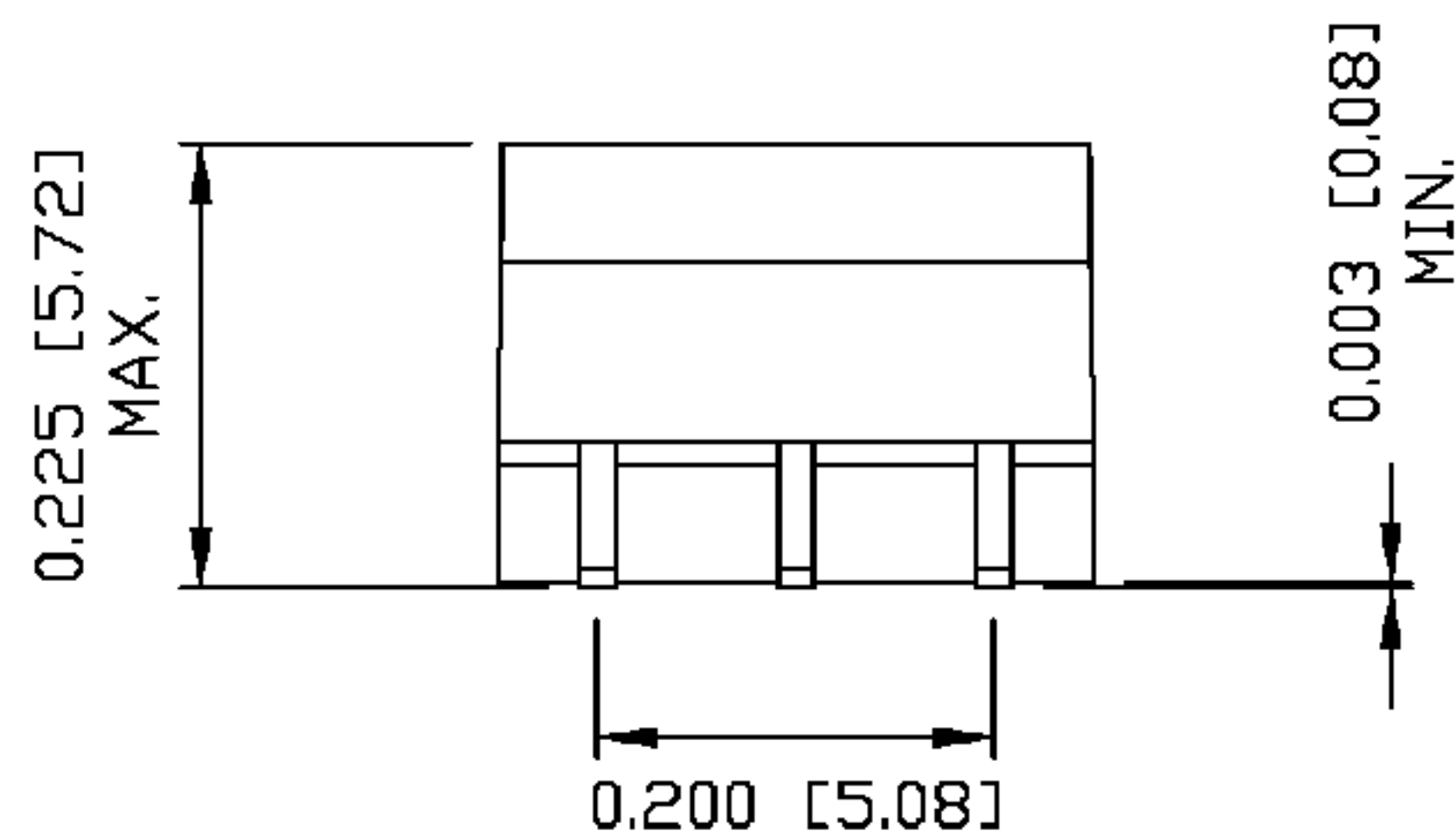
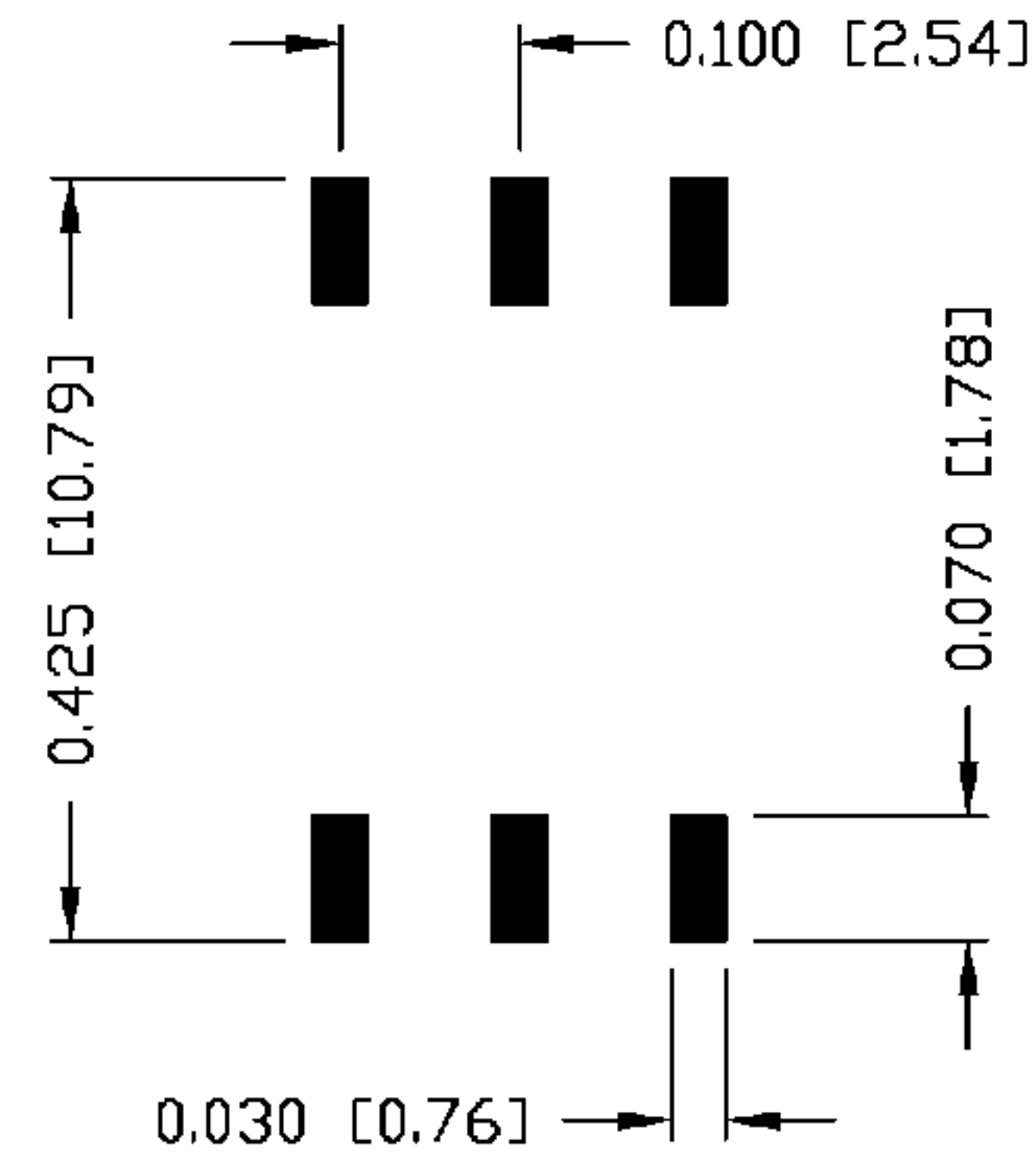
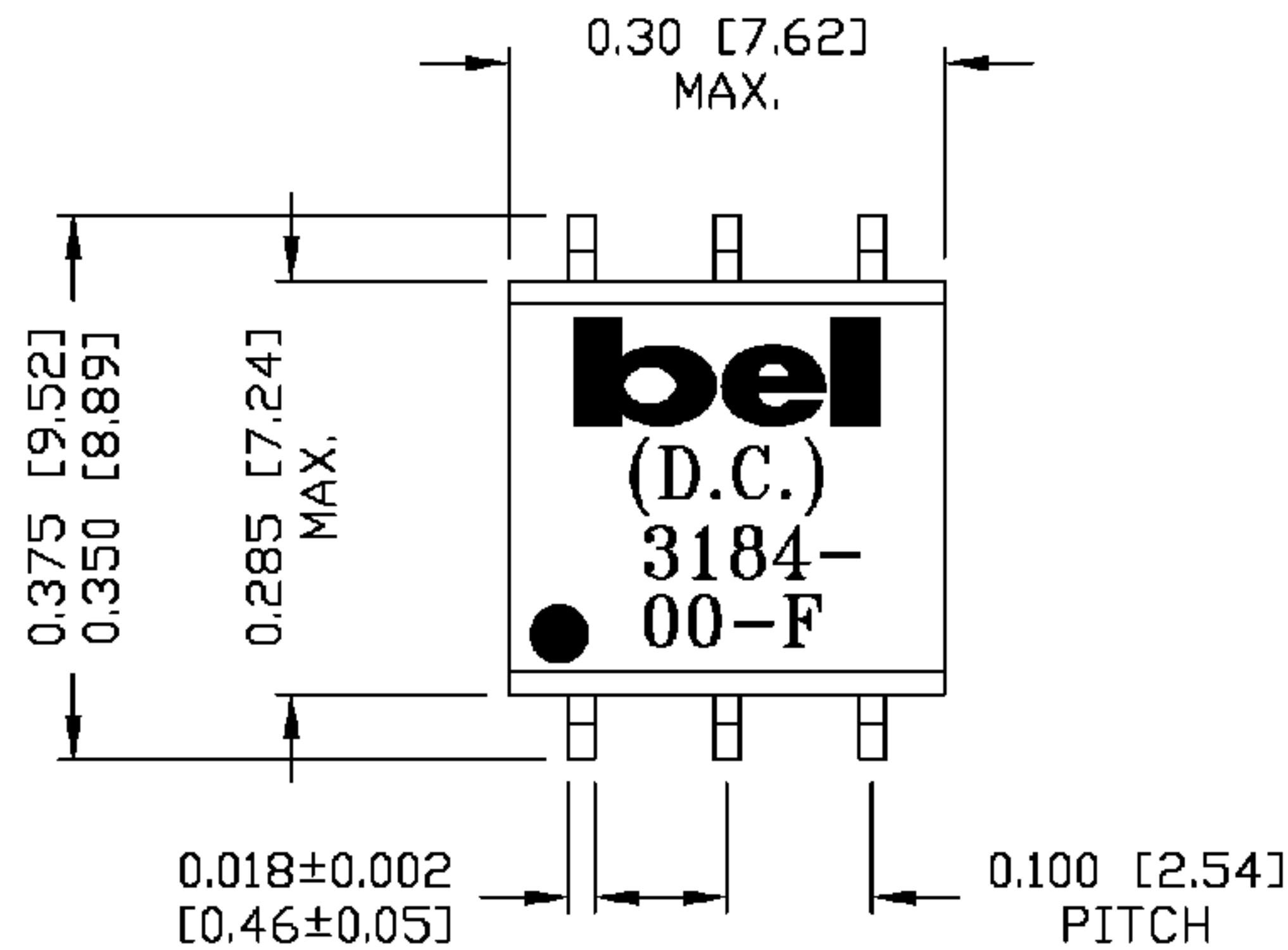
ORIGINATED BY	DATE	TITLE	PART NO. / DRAWING NO.	STANDARD DIM.	[] METRIC DIM. AS REFERENCE	
H□	03-06-06	T3/DS3 TRANSFORMER	X554318400-F	TOL. IN INCH	UNIT : INCH [mm]	REV. : A
DRAWN BY	DATE		FILE NAME	.X	SCALE : N/A	SIZE : A4
DQ Chen	03-06-06	S554-3184-00-F	X554318400FA.DWG	.XX		PAGE : 2
				.XXX		



THE INFORMATION CONTAINED HEREIN IS CONSIDERED "PROPRIETARY" TO BEL FUSE INC. AND SHALL NOT BE COPIED, REPRODUCED OR DISCLOSED WITHOUT THE WRITTEN APPROVAL OF BEL FUSE INC.



SUGGESTED PCB PAD LAYOUT



NOTES:

1. STANDARD MARKING REFER TO DDC. HAND-WORK-04.
2. PACKAGE CODE: "QAS002".

ORIGINATED BY	DATE	TITLE	PART NO. / DRAWING NO.	STANDARD DIM. TOL. IN INCH	[] METRIC DIM. AS REFERENCE
HQ	03-06-06	MECHANICAL DRAWING	X554318400-F	.X	UNIT : INCH [mm] REV. : A
DRAWN BY	DATE	S554-3184-00-F	FILE NAME	.XX ±0.01	SCALE : N/A SIZE : A4
DQ Chen	03-06-06		X554318400FA.DWG	.XXX ±0.005	PAGE : 3

