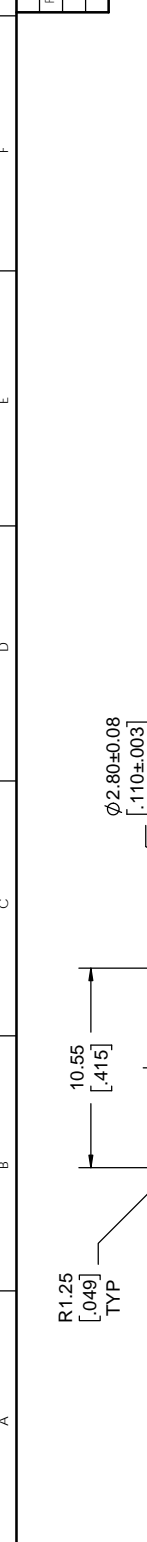
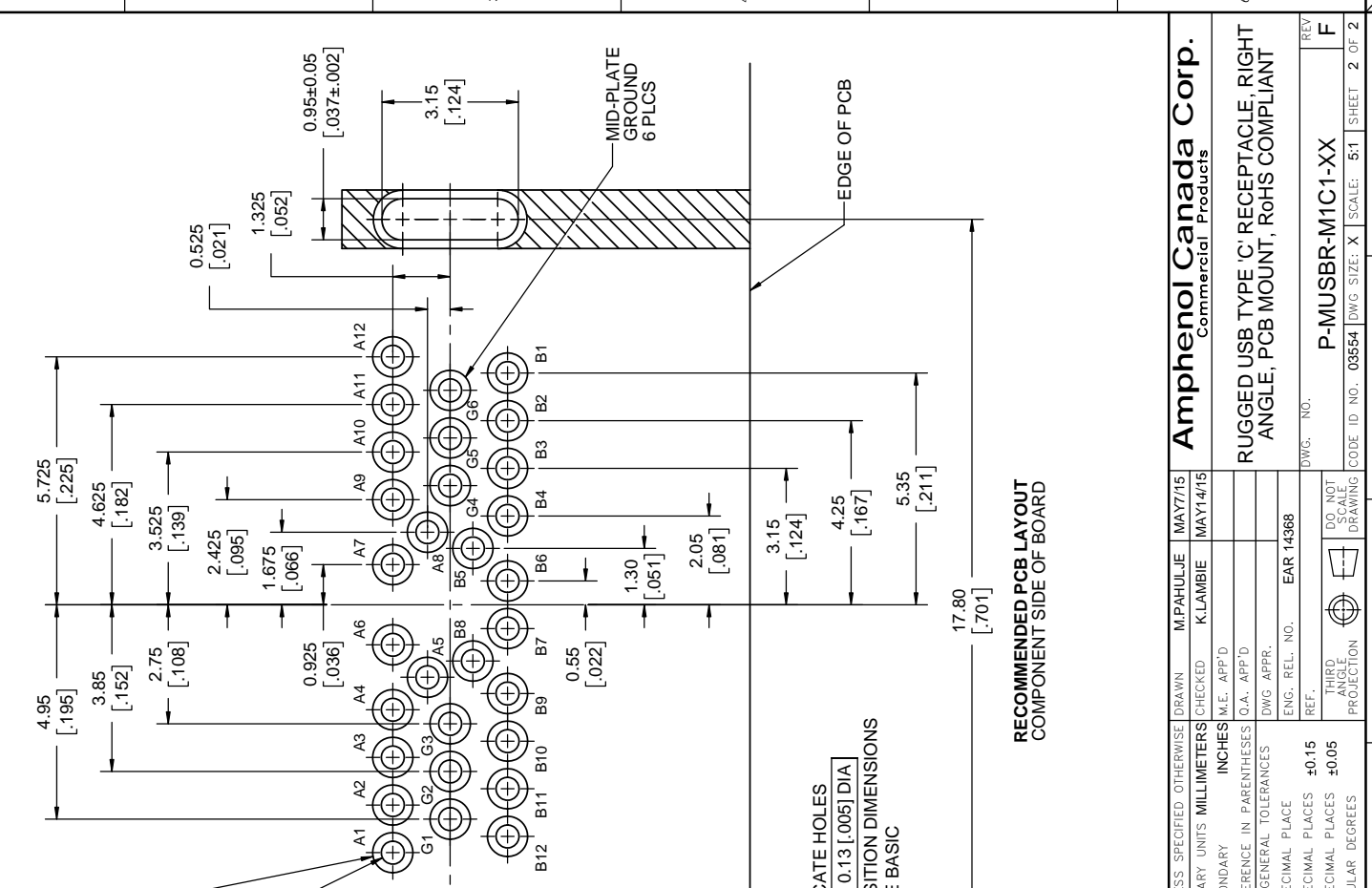




REVISIONS		REV	DESCRIPTION, ECN, EAR NO.	DATE	APP'D
E			PRODUCT DRAWING EAR 14716	FEB21/19	K.L.
F			PRODUCT DRAWING EAR 14747	JUL31/19	K.L.

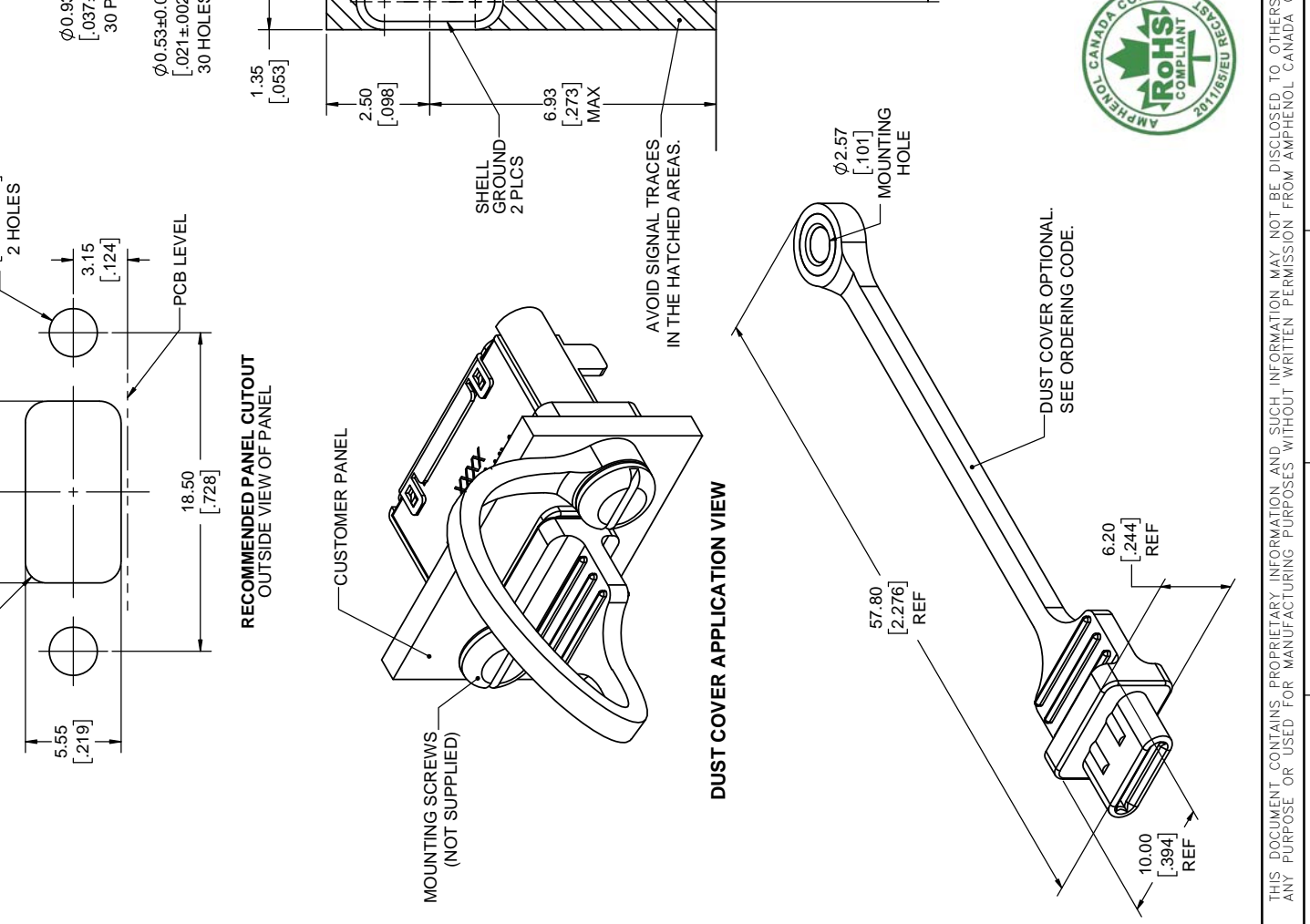


**RECOMMENDED PANEL CUTOUT**  
OUTSIDE VIEW OF PANEL



LOCATE HOLES  
 $\phi 0.13$  [.005] DIA  
POSITION DIMENSIONS  
ARE BASIC

**RECOMMENDED PCB LAYOUT**  
COMPONENT SIDE OF BOARD



**DUST COVER APPLICATION VIEW**

UNLESS SPECIFIED OTHERWISE		DRAWN	M.PAHULJE	MAY1/15
PRIMARY UNITS	MILLIMETERS	CHECKED	K.LAMBIE	MAY14/15
SECONDARY UNITS	INCHES	IN CHARGE	M.E. APP'D	
REFERENCE IN PARENTHESES	Q.A. APP'D			
GENERAL TOLERANCES		DWG APPR.		
1	DECIMAL PLACES	ENG. REL. NO.	EAR 14368	
2	DECIMAL PLACES	REF.		
3	DECIMAL PLACES	THIS DRAWING IS NOT TO BE USED FOR PRODUCTION		
	ANGULAR DEGREES			

**Amphenol Canada Corp.**  
Commercial Products

**RUGGED USB TYPE 'C' RECEPTACLE, RIGHT ANGLE, PCB MOUNT, RoHS COMPLIANT**

DWG. NO. **P-MUSBR-M1C1-XX**  
CODE ID NO. 03554 DWG SIZE: X SCALE: 5:1 SHEET 2 OF 2

THIS DOCUMENT CONTAINS PROPRIETARY INFORMATION AND SUCH INFORMATION MAY NOT BE DISCLOSED TO OTHERS FOR ANY PURPOSE OR USED FOR MANUFACTURING PURPOSES WITHOUT WRITTEN PERMISSION FROM AMPHENOL CANADA CORP.

DUST COVER OPTIONAL.  
SEE ORDERING CODE.

Downloaded from [Arrow.com](http://Arrow.com)