

OUTLINE

The RN5RG Series are CMOS-based voltage regulator ICs with an external power transistor with high output voltage accuracy and lowest supply current. Each of these voltage regulator ICs consists of a voltage reference unit, an error amplifier and resistors.

These ICs are suitable for constructing regulators with ultra-low dropout voltage and an output current in the range of several tens mA to several hundreds mA.

Furthermore, these ICs have a chip enable function, so that the supply current on standby can be minimized.

Since the package for these ICs is SOT-23-5 (Mini-mold) package, high density mounting of the ICs on boards is possible.

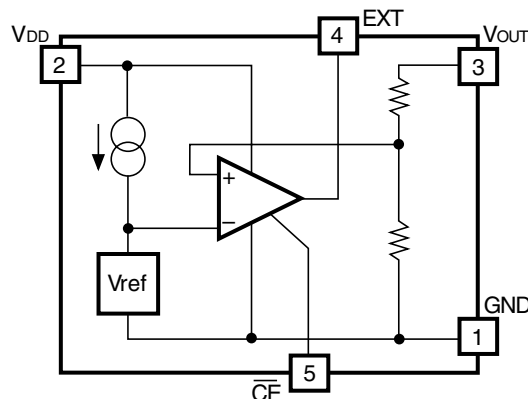
FEATURES

- Ultra-Low Supply CurrentTyp. 50 μ A
- Standby ModeTyp. 0.2 μ A
- Ultra-Low Dropout VoltageTyp. 0.1V ($I_{OUT}=100$ mA : dependent on External Tr.)
- Low Temperature-Drift Coefficient of Output VoltageTyp. ± 100 ppm/ $^{\circ}$ C
- Excellent Line RegulationTyp. 0.1%/V
- Output VoltageStepwise setting with a step of 0.1V in the range of 2.0V to 6.0V is possible (refer to Selection Guide).
- High Accuracy Output Voltage $\pm 2.5\%$
- Small PackageSOT-23-5(Mini-Mold)

APPLICATIONS

- Power source for battery-powered equipment.
- Power source for cameras, VCRs, camcorders, hand-held audio instruments, and hand-held communication equipment.
- Power source for domestic appliances.

BLOCK DIAGRAM



SELECTION GUIDE

The output voltage, the version, the packing type, and the taping type for the ICs can be selected at the user's request.

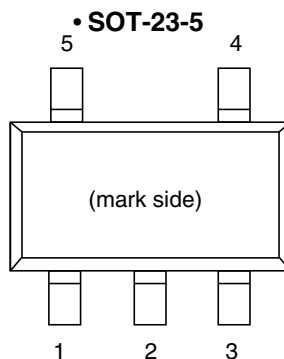
The selection can be made by designating the part number as shown below :

RN5RG $\overbrace{\text{xxxx}}$ - $\overbrace{\text{xx}}$ ← Part Number
 ↑↑↑ ↑
 a bc d

Code	Contents
a	Setting Output Voltage (VOUT): Stepwise setting with a step of 0.1V in the range of 2.0V to 6.0V is possible.
b	A
c	Designation of Packing Type: A: Taping C: Antistatic bag for samples
d	Designation of Taping Type: Ex. TR, TL (refer to Taping Specifications) “TR” is prescribed as a standard.

For example, the product with Output Voltage 5.0V, Version A, and Taping Type TR is designated by Part Number RN5RG50AA-TR.

PIN CONFIGURATION



PIN DESCRIPTION

Pin No.	Symbol	Description
1	GND	Ground Pin
2	V _{DD}	Input Pin
3	V _{OUT}	Output Pin
4	EXT	External Transistor Drive Pin (Nch Open Drain Output)
5	$\overline{\text{CE}}$	Chip Enable Pin

ABSOLUTE MAXIMUM RATINGS

Symbol	Item	Rating	Unit
V _{IN}	Input Voltage	+12	V
V _{CE}	Input Voltage ($\overline{\text{CE}}$ Pin)	-0.3 to V _{IN} +0.3	V
V _{EXT}	EXT Output Voltage	+12	V
I _{EXT}	EXT Output Current	50	mA
P _D	Power Dissipation	150	mW
T _{opt}	Operating Temperature Range	-40 to +85	°C
T _{stg}	Storage Temperature Range	-55 to +125	°C
T _{solder}	Lead Temperature (Soldering)	260°C, 10s	

ABSOLUTE MAXIMUM RATINGS

Absolute Maximum ratings are threshold limit values that must not be exceeded even for an instant under any conditions. Moreover, such values for any two items must not be reached simultaneously. Operation above these absolute maximum ratings may cause degradation or permanent damage to the device. These are stress ratings only and do not necessarily imply functional operation below these limits.

ELECTRICAL CHARACTERISTICS

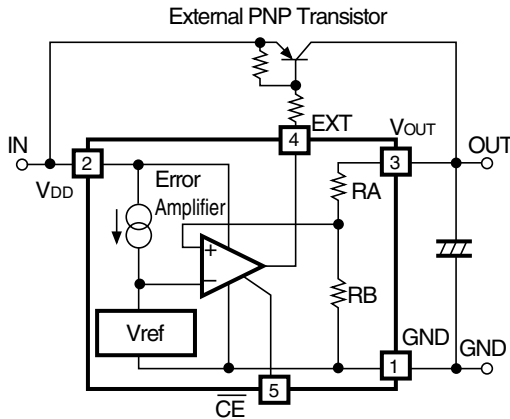
T_{opt}=25°C

Symbol	Item	Conditions	Min.	Typ.	Max.	Unit	Note
V _{OUT}	Output Voltage	V _{IN} =8.0V I _{OUT} =50mA	V _{OUT} ×0.975		V _{OUT} ×1.025	V	
I _{OUT}	Output Current	V _{IN} -V _{OUT} =1.0V		1000		mA	Note
I _{EXT}	EXT Current	V _{IN} =4.0V, V _{EXT} =2.0V	10			mA	
$\frac{\Delta V_{OUT}}{\Delta I_{OUT}}$	Load Regulation	V _{IN} -V _{OUT} =1.0V 1mA≤I _{OUT} ≤100mA	-60		60	mV	
V _{DIF}	Dropout Voltage	I _{OUT} =100mA		100	200	mV	
I _{SS}	Supply Current	V _{IN} -V _{OUT} =1.0V I _{OUT} =0mA (at no load)		50	80	μA	
I _{standby}	Supply Current (Standby)	V _{IN} =8V	0.01	0.20	1.00	μA	
I _{EXTleak}	EXT Leakage Current				0.5	μA	
$\frac{\Delta V_{OUT}}{\Delta V_{IN}}$	Line Regulation	I _{OUT} =50mA V _{OUT} +0.5V≤V _{IN} ≤8V	0.0	0.1	0.3	%/V	
V _{IN}	Input Voltage				8	V	
V _{EXT}	EXT Output Voltage				8	V	
$\frac{\Delta V_{OUT}}{\Delta T_{opt}}$	Output Voltage Temperature Coefficient	I _{OUT} =10mA -40°C≤T _{opt} ≤85°C		±100		ppm/°C	
V _{CEH}	\overline{CE} Input Voltage "H"		1.5			V	
V _{CEL}	\overline{CE} Input Voltage "L"				0.25	V	
I _{CEH}	\overline{CE} Input Current "H"			0.0	0.1	μA	
I _{CEL}	\overline{CE} Input Current "L"		-5.0	-3.0	-0.1	μA	

(Note) The output current depends upon the performance of External PNP Transistor. Use External PNP Transistor of a low saturation type, with an h_{FE} of 100 or more.

*) With respect to Test Circuits, refer to the Typical Application.

OPERATION



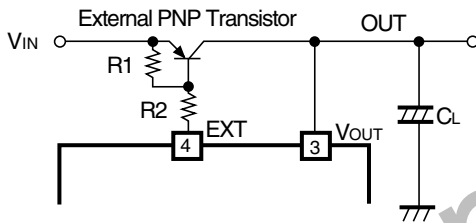
In these ICs, the output voltage V_{OUT} is detected by feed-back registers RA, RB, and the detected the output voltage is compared with a reference voltage by error Amplifier, so that the base current of an external PNP transistor is adjusted and the output voltage V_{OUT} is regulated.

SELECTION GUIDE FOR EXTERNAL COMPONENTS

1.External PNP Transistor

Select an external PNP transistor from the viewpoints of output current, input voltage and power dissipation.

Generally external PNP transistor with low $V_{CE(SAT)}$ and high h_{FE} is suitable.



2.Base Resistor R2

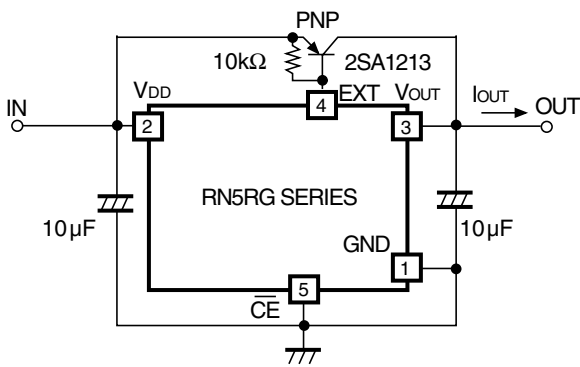
EXT Pin of these ICs is protected by a current limit circuit from the destruction caused by excess current. However, since this current limit circuit is provided for the purpose of protecting the IC, use a resistor R2 for the protection of the External Transistor, although this IC can be operated without such a resistor. It is required that the resistance of the Resistor R2 be determined with the input voltage, output voltage, output current, temperature, and the h_{FE} value taken into consideration and the dispersion of these values. Before making such a determination, check the characteristics by calculating the respective values by using the following formula :

$$\frac{V_{IN} [\text{Min.}] - 1.2(\text{V})}{R2} - \frac{0.7(\text{V})}{R1} > \frac{I_{OUT} [\text{Max.}]}{h_{FE}}$$

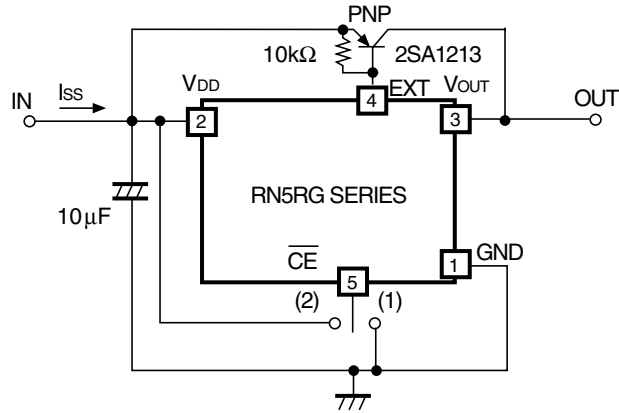
3.Phase Compensation

In these ICs, phase compensation is made for securing stable operation even when the load current is varied. For this purpose, be sure to use a capacitor C_L (tantalum type) with a capacitance of $10\mu\text{F}$ or more and a resistor R1 with a resistance of about $10\text{k}\Omega$ between the base and the emitter. There may be the case the loop oscillation takes place when a tantalum capacitor C_L with a large ESR is used, so select the C_L carefully including the frequency characteristics.

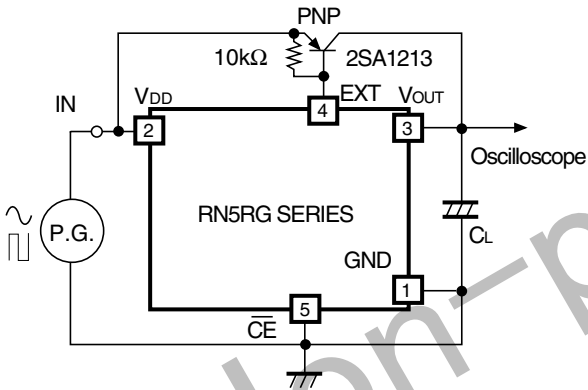
TEST CIRCUITS



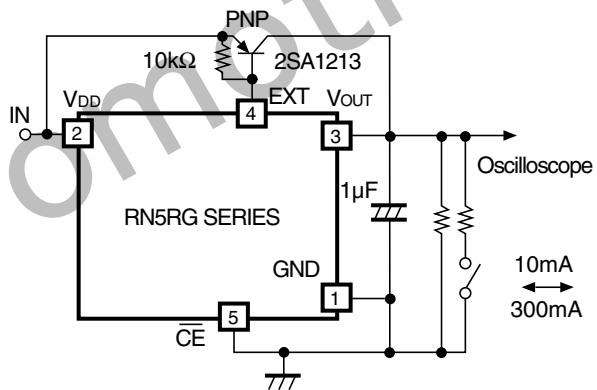
Test Circuit 1 : Typical Characteristics 1) to 4)



Test Circuit 2 : Typical Characteristics 5) to 7)



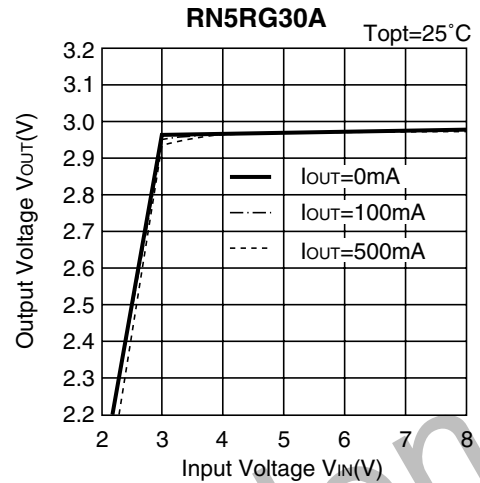
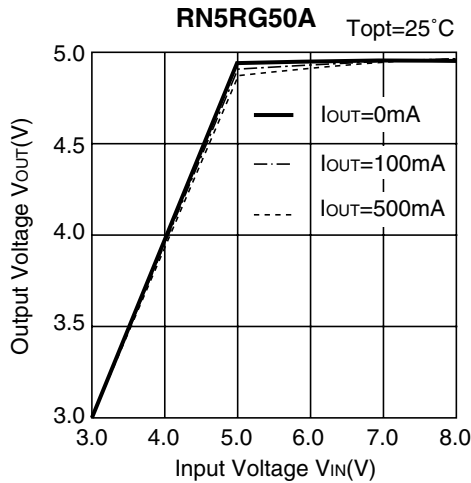
Test Circuit 3 : Typical Characteristics 8) to 10)



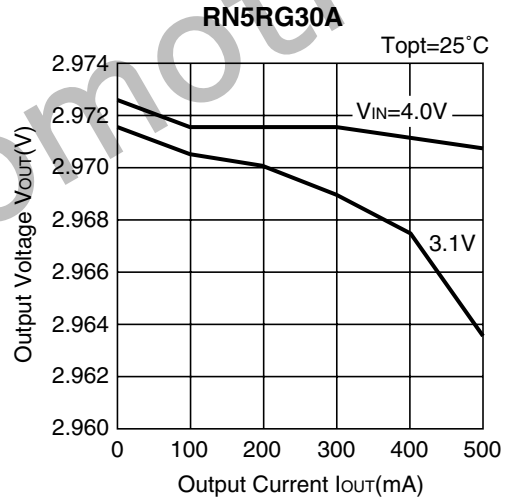
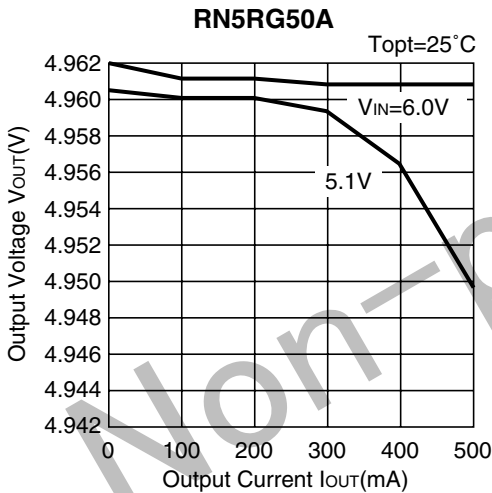
Test Circuit 4 : Typical Characteristics 11)

TYPICAL CHARACTERISTICS

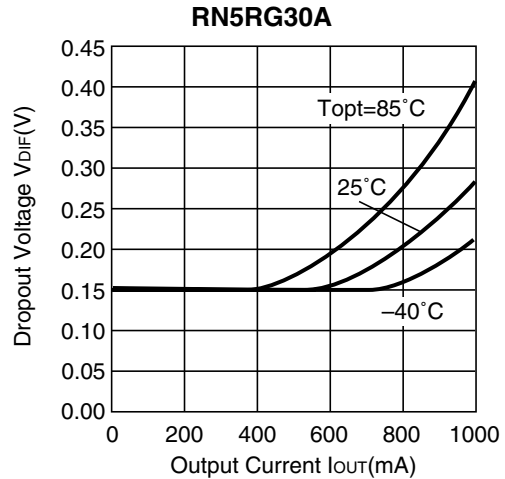
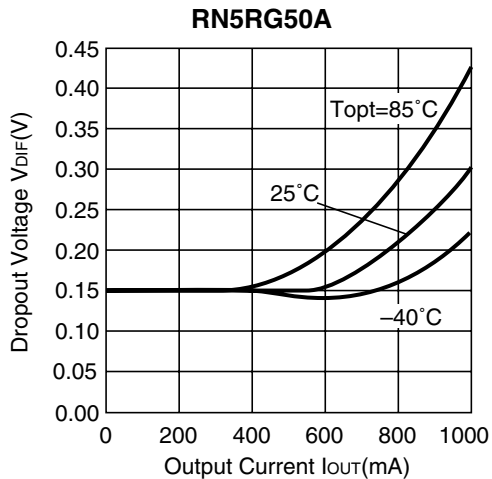
1) Output Voltage vs. Input Voltage



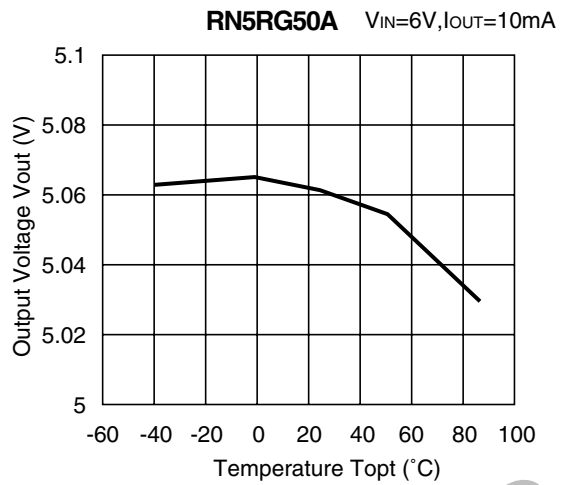
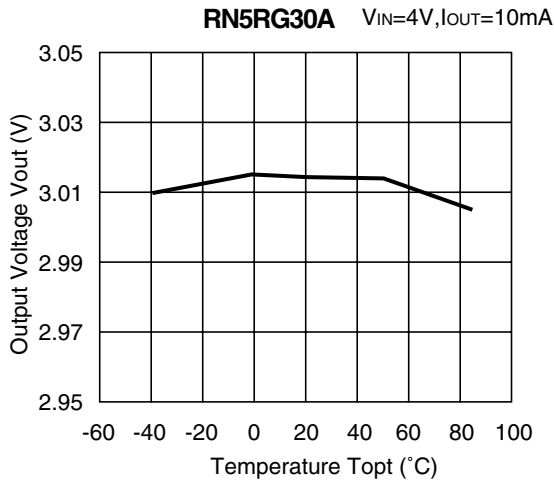
2) Output Voltage vs. Output Current



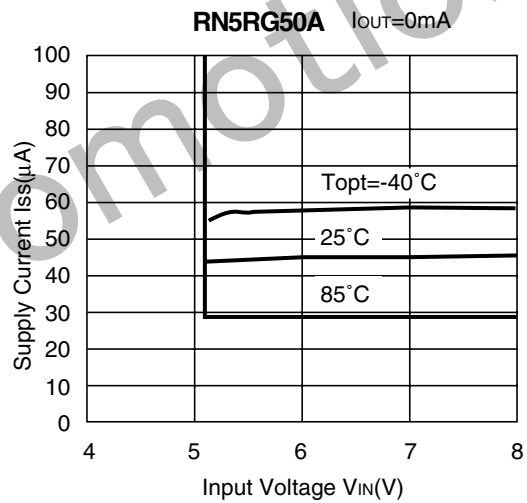
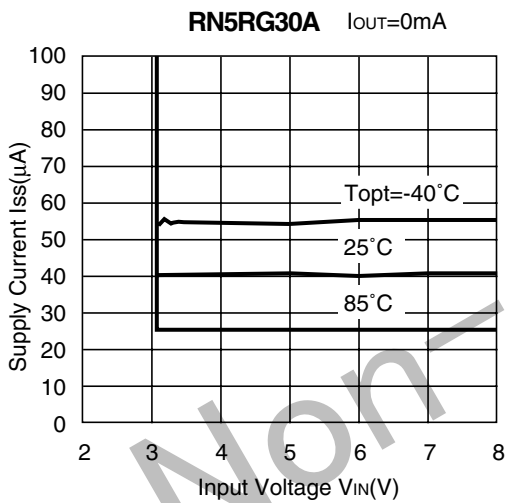
3) Dropout Voltage vs. Output Current



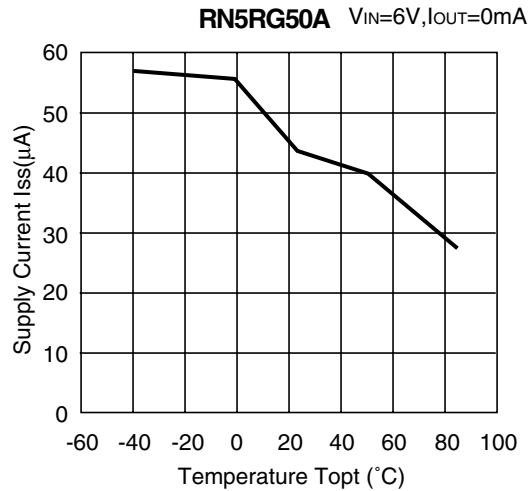
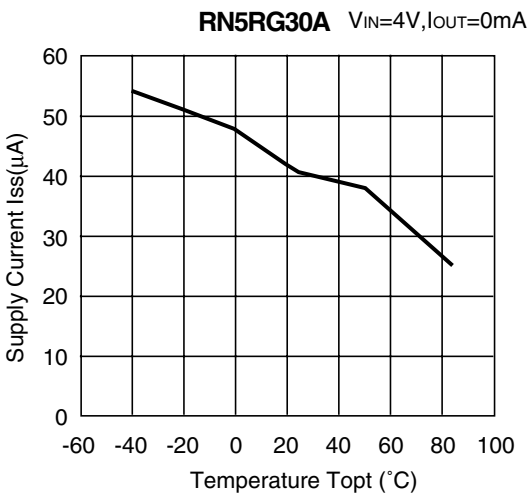
4) Output Voltage vs. Temperature



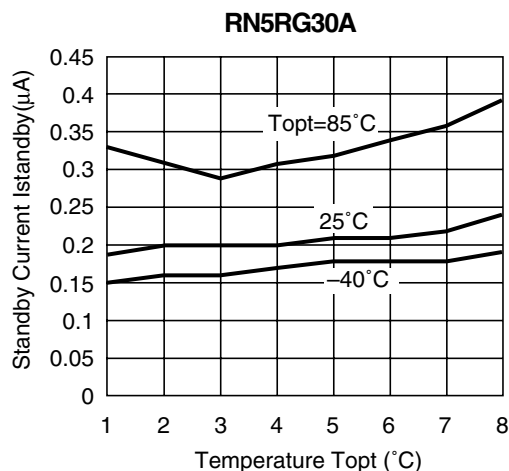
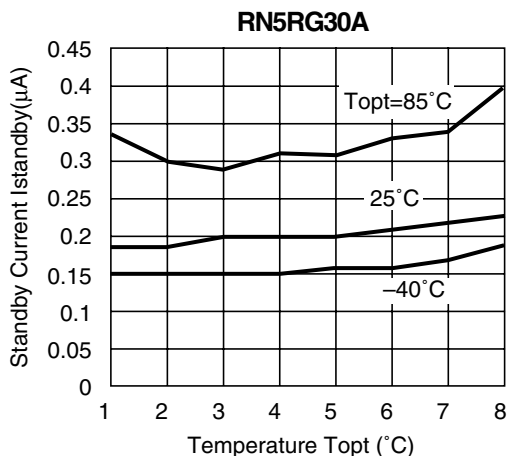
5) Supply Current vs. Input Voltage



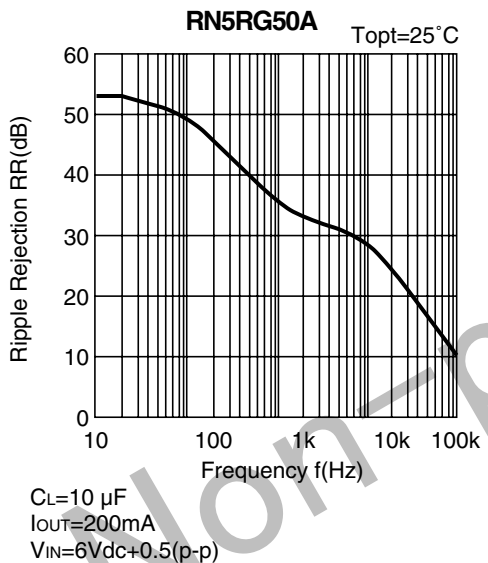
6) Supply Current vs. Temperature



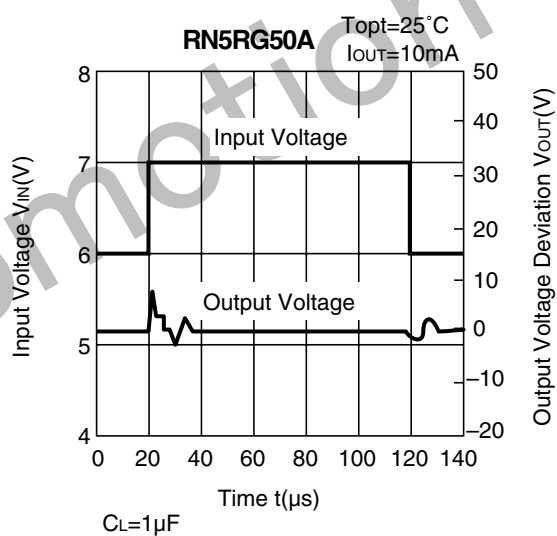
7) Standby Current vs. Input Voltage



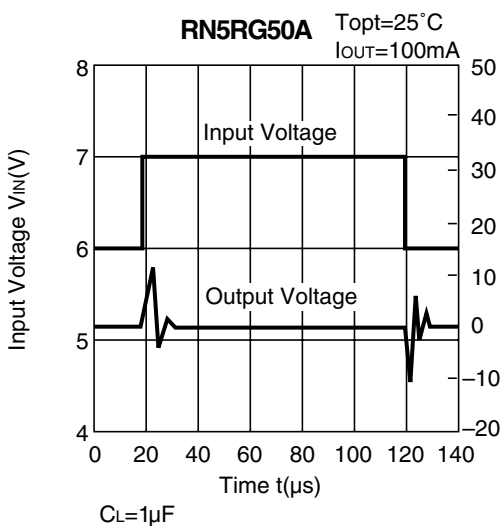
8) Ripple Rejection



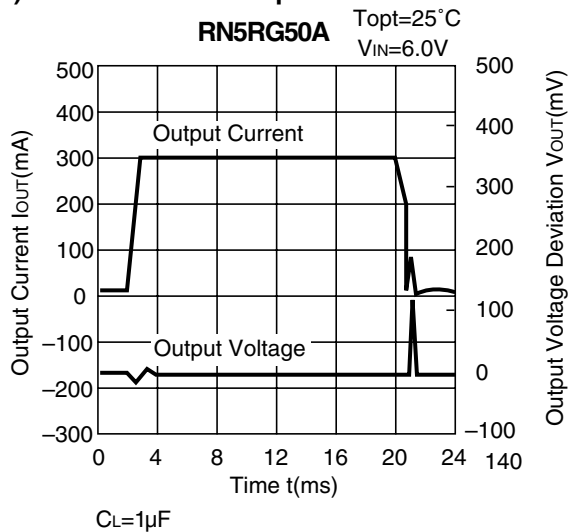
9) Line Transient Response (1)



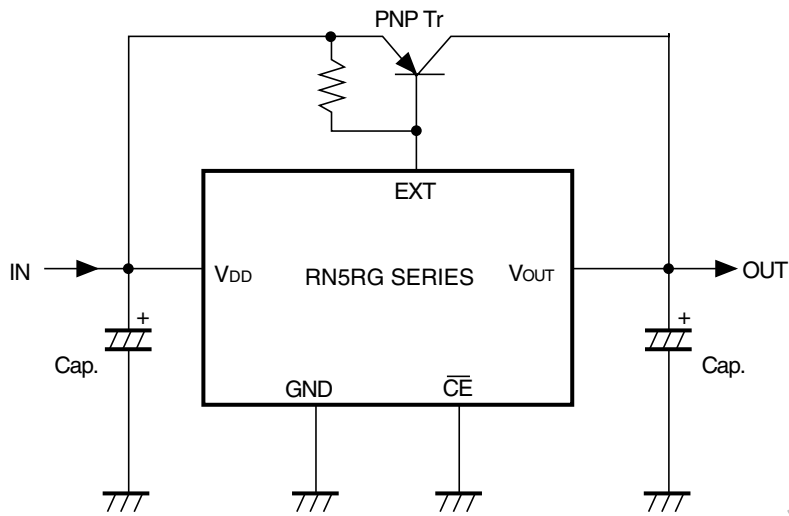
10) Line Transient Response (2)



11) Load Transient Response



TYPICAL APPLICATION



Parts Transistor : 2SA1213
Resistor : 10k Ω
Capacitor : 10 μ F(tantalum type)

Non-promotion



1. The products and the product specifications described in this document are subject to change or discontinuation of production without notice for reasons such as improvement. Therefore, before deciding to use the products, please refer to Ricoh sales representatives for the latest information thereon.
2. The materials in this document may not be copied or otherwise reproduced in whole or in part without prior written consent of Ricoh.
3. Please be sure to take any necessary formalities under relevant laws or regulations before exporting or otherwise taking out of your country the products or the technical information described herein.
4. The technical information described in this document shows typical characteristics of and example application circuits for the products. The release of such information is not to be construed as a warranty of or a grant of license under Ricoh's or any third party's intellectual property rights or any other rights.
5. The products listed in this document are intended and designed for use as general electronic components in standard applications (office equipment, telecommunication equipment, measuring instruments, consumer electronic products, amusement equipment etc.). Those customers intending to use a product in an application requiring extreme quality and reliability, for example, in a highly specific application where the failure or misoperation of the product could result in human injury or death (aircraft, spacevehicle, nuclear reactor control system, traffic control system, automotive and transportation equipment, combustion equipment, safety devices, life support system etc.) should first contact us.
6. We are making our continuous effort to improve the quality and reliability of our products, but semiconductor products are likely to fail with certain probability. In order to prevent any injury to persons or damages to property resulting from such failure, customers should be careful enough to incorporate safety measures in their design, such as redundancy feature, firecontainment feature and fail-safe feature. We do not assume any liability or responsibility for any loss or damage arising from misuse or inappropriate use of the products.
7. Anti-radiation design is not implemented in the products described in this document.
8. Please contact Ricoh sales representatives should you have any questions or comments concerning the products or the technical information.



For the conservation of the global environment, Ricoh is advancing the decrease of the negative environmental impact material.
After Apr. 1, 2006, we will ship out the lead free products only. Thus, all products that will be shipped from now on comply with RoHS Directive.
Basically after Apr. 1, 2012, we will ship out the Power Management ICs of the Halogen Free products only. (Ricoh Halogen Free products are also Antimony Free.)

RICOH RICOH COMPANY, LTD. Electronic Devices Company

<http://www.ricoh.com/LSI/>

RICOH COMPANY, LTD.

Electronic Devices Company

● Higashi-Shinagawa Office (International Sales)

3-32-3, Higashi-Shinagawa, Shinagawa-ku, Tokyo 140-8655, Japan
Phone: +81-3-5479-2857 Fax: +81-3-5479-0502

RICOH EUROPE (NETHERLANDS) B.V.

● Semiconductor Support Centre

"Nieuw Kronenburg" Prof. W.H. Keesomlaan 1, 1183 DJ, Amstelveen, The Netherlands
P.O.Box 114, 1180 AC Amstelveen
Phone: +31-20-5474-309 Fax: +31-20-5474-791

RICOH ELECTRONIC DEVICES KOREA Co., Ltd.

11 floor, Haesung 1 building, 942, Daechidong, Gangnamgu, Seoul, Korea
Phone: +82-2-2135-5700 Fax: +82-2-2135-5705

RICOH ELECTRONIC DEVICES SHANGHAI Co., Ltd.

Room403, No.2 Building, 690#Bi Bo Road, Pu Dong New district, Shanghai 201203,
People's Republic of China
Phone: +86-21-5027-3200 Fax: +86-21-5027-3299

RICOH COMPANY, LTD.

Electronic Devices Company

● Taipei office

Room109, 10F-1, No.51, Hengyang Rd., Taipei City, Taiwan (R.O.C.)
Phone: +886-2-2313-1621/1622 Fax: +886-2-2313-1623