

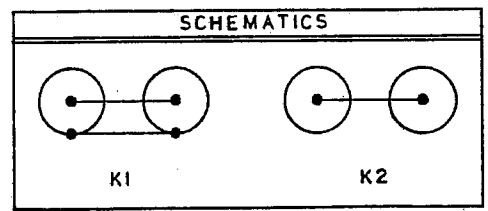
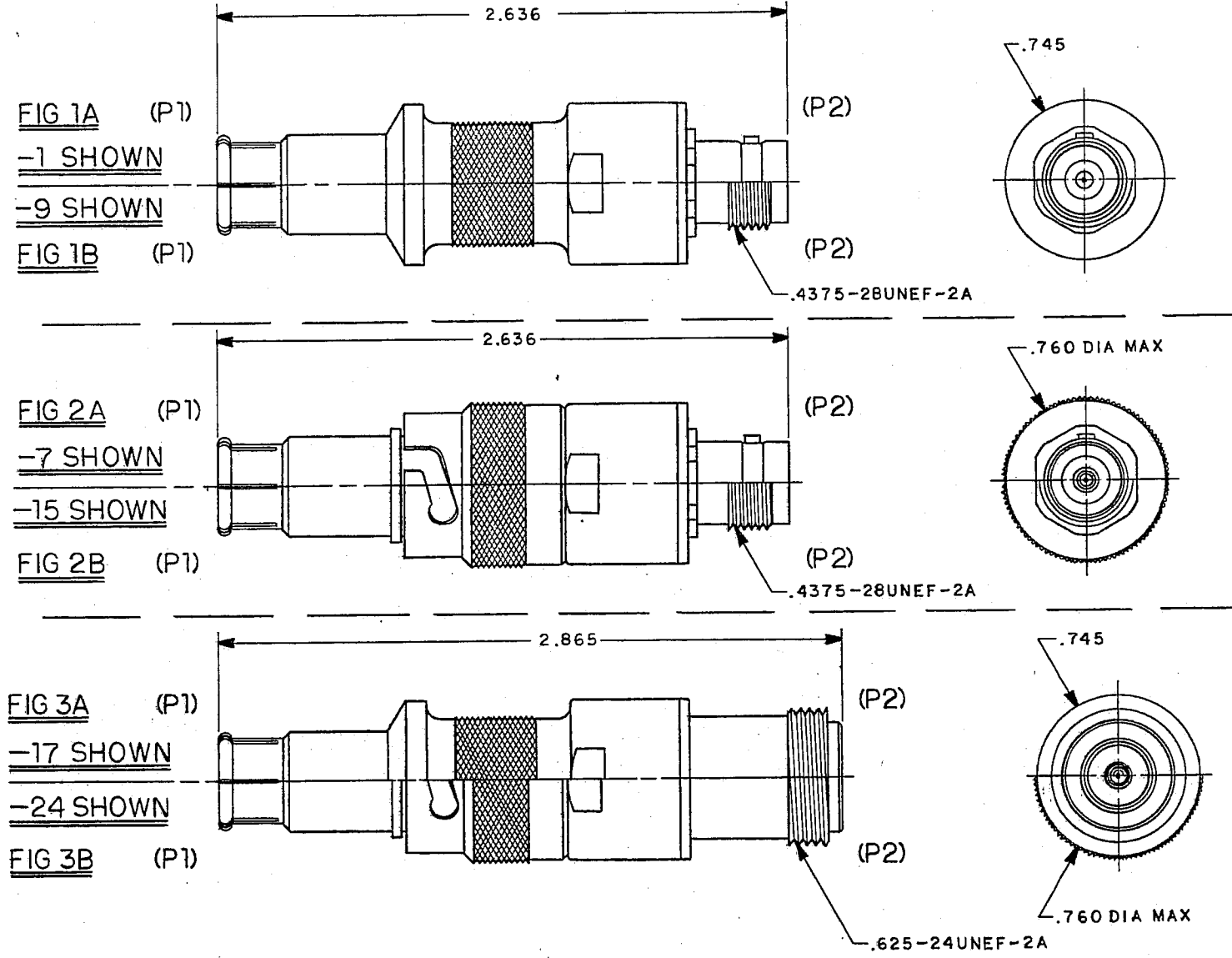
DATA CONTAINED IN THIS DOCUMENT IS PROPRIETARY TO TROMPETER ELECTRONICS INC. AND SHALL NOT BE DISCLOSED, COPIED OR USED FOR PROCUREMENT OR MANUFACTURE WITHOUT EXPRESS WRITTEN PERMISSION.

| REV |  | EO | DESCRIPTION | DWN | APPROVED | DATE |
|-----|--|----|-------------|-----|----------|------|
|     |  |    |             |     |          |      |

| P2 CONN TYPE | FIG NO | P1 CONN TYPE |     |      |     |
|--------------|--------|--------------|-----|------|-----|
|              |        | PL93         |     | PL94 |     |
|              |        | SCHEMATICS   |     |      |     |
|              |        | K1           | K2  | K1   | K2  |
| BJ20         | 1A     | -1           | -2  | -3   | -4  |
| UBJ20        | 2A     | -5           | -6  | -7   | -8  |
| BJ40         | 1B     | -9           | -10 | -11  | -12 |
| UBJ40        | 2B     | -13          | -14 | -15  | -16 |
| J95          | 3A     | -17          | -18 | -19  | -20 |
| UJ95         | 3B     | -21          | -22 | -23  | -24 |

| INCH  | MM    |
|-------|-------|
| .745  | 18.92 |
| .760  | 19.30 |
| 2.636 | 66.95 |
| 2.865 | 72.77 |

RED INDICATES ORIGINAL



- EXAMPLE OF COMPLETE MODEL NO:  
 AD-PL93-K1-BJ20  
 ADAPTER P1 CONN TYPE SCHEMATIC P2 CONN TYPE
- EXAMPLE OF COMPLETE PART NO:  
 12-08-1  
 DASH NO BASIC PART NO
- BETWEEN SERIES ADAPTER, PRECISION 50Ω PATCH PLUG WITH/WITHOUT LOCKING BAYONET TO FEMALE 50 & 75 OHM BNC/TNC/N JACK
- FINISH: TFS-1A (NICKEL)
- ALL DIM ARE REF IN INCHES

| QTY  | DESCRIPTION                        | PART NUMBER  | ITEM                                |
|--|------------------------------------|--|-------------------------------------|
| TOL UNLESS SPECIFIED<br>.XX ±<br>.XXX ±<br>.XXXX ±<br>ANGLES ± | <b>TROMPETER ELECTRONICS, INC.</b> | ADAPTERS; PRECISION PATCH PLUGS TO FEMALE BNC/TNC/N SERIES |                                     |
| DWN LSW 6-10-85  | MATERIAL                           | CODE IDENT 14949   | DRAWING NO. 12-08                   |
| CHK SC 7-2-85  | ENGR SA 7-18-85                    | APPR SA 7-19-85  | SCALE 2/1 DATE 7-19-85 SHEET 1 OF 2 |