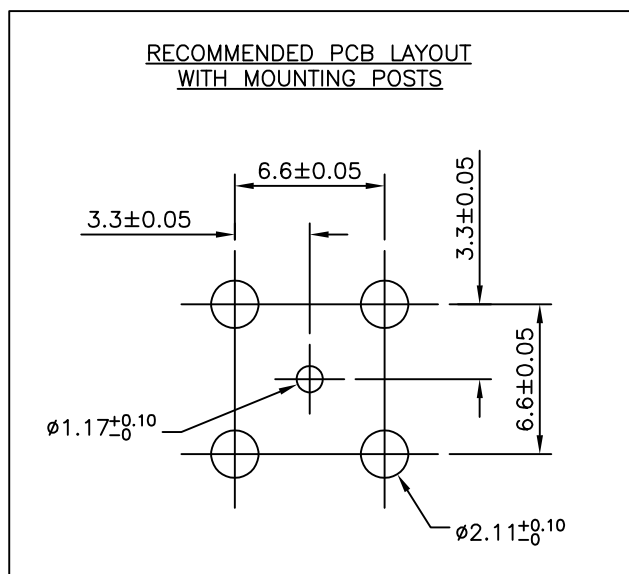
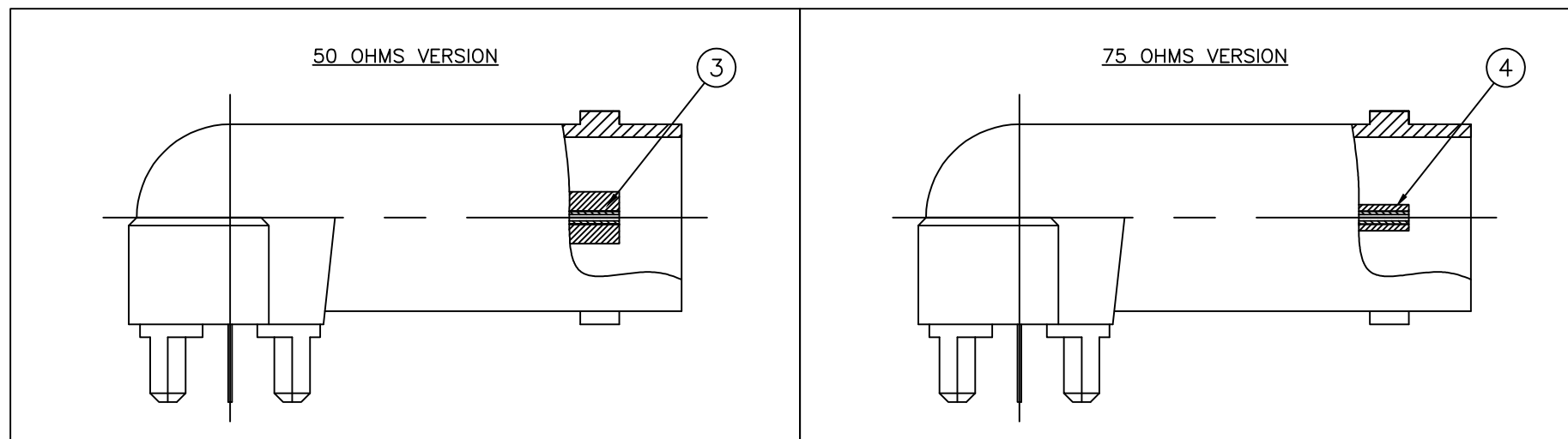
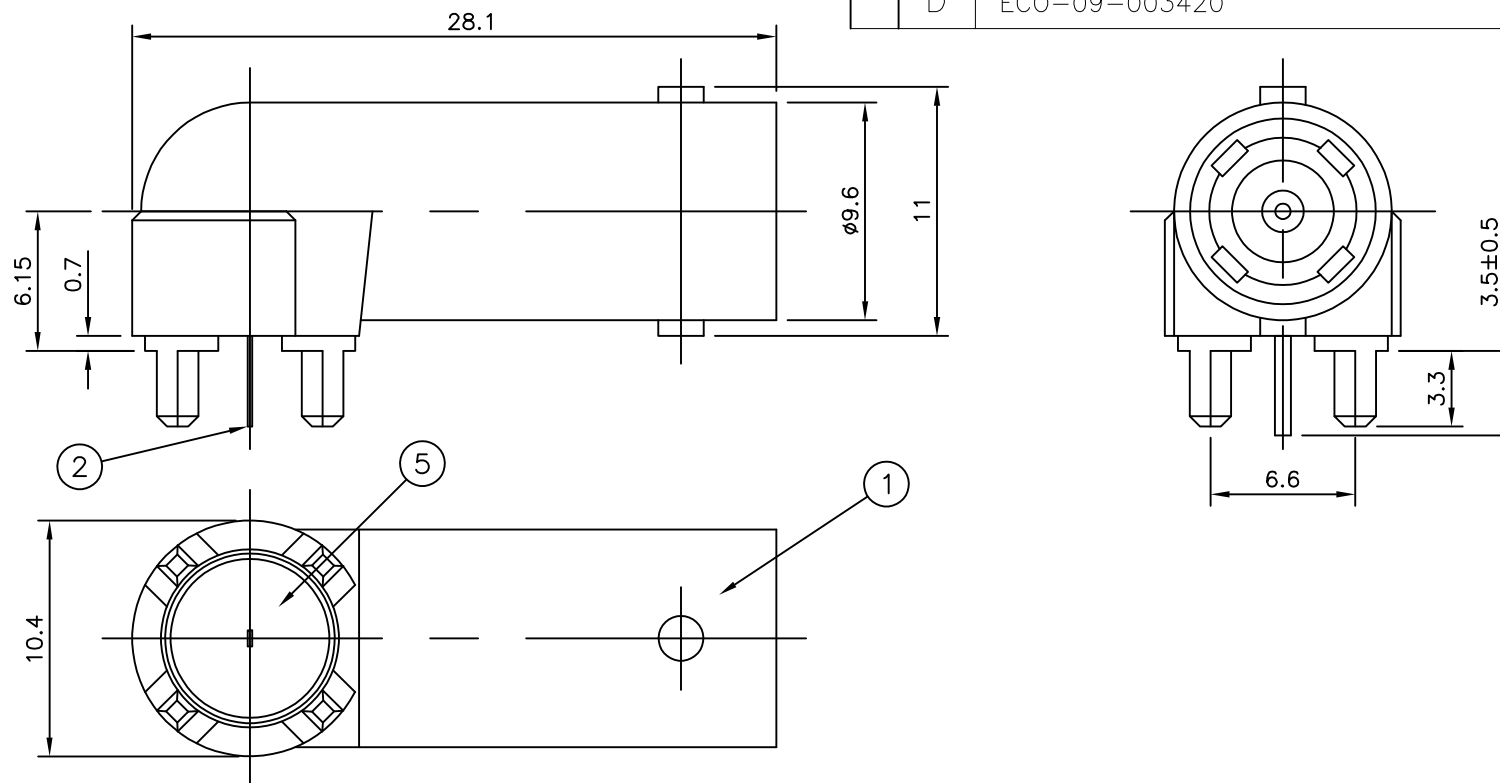


LOC	DIST	REVISIONS					
E	B	P	LTR	DESCRIPTION	DATE	DWN	APVD
			D	ECO-09-003420	10 Mar 09	RITA	BOB

NOTES

- ① 100 TRAY PACK IN ACCORDANCE WITH AMP SPEC 107-3275
- ② SINGLE PACK IN ACCORDANCE WITH AMP SPEC 107-3275
- ③ Au PLATING
- ④ Ni PLATING
- 5 FOR TECHNICAL DATA REFER TO YOUR LOCAL TYCO ELECTRONICS SALES OFFICE
- 6 ALL DIMENSIONS ARE NOMINAL FOR REFERENCE ONLY UNLESS OTHERWISE STATED



				1	1	1	1	PTFE	INSULATOR	5
				1	1	-	-	TPX	INSULATOR	4
				-	-	1	1	TPX	INSULATOR	3
				1	1	1	1	PHOS BRONZE	③ CONTACT	2
				1	1	1	1	ZINC ALLOY	④ BODY	1
				5--3	5--2	5--1	5--0	MATERIAL	DESCRIPTION	ITEM
				①	②	②	①			
QUANTITY PER ASSY								PARTS LIST		

THIS DRAWING IS A CONTROLLED DOCUMENT.		DWN	RITA ZUO	10 Mar 09	Tyco Electronics Corporation Kunshan, Jiangsu, PRC 215312		
DIMENSIONS: MM		CHK	ANSON MA	10 Mar 09	NAME		
TOLERANCES UNLESS OTHERWISE SPECIFIED:		APVD	BOB ZHAO	10 Mar 09	PRODUCT SPEC		
0 PLC ± 0.5		108-112000		APPLICATION SPEC			
1 PLC ± 0.3		108-112000		RESTRICTED TO			
2 PLC ± 0.2		108-112000		SIZE			
3 PLC ± -		108-112000		CAGE CODE			
4 PLC ± -		108-112000		DRAWING NO			
ANGLES ± -		108-112000		RESTRICTED TO			
MATERIAL		FINISH		WEIGHT			
SEE TABLE		SEE TABLE		A3 00779 C-1634513			
CUSTOMER DRAWING				SCALE	NTS	SHEET	1 OF 1
				REV	D		