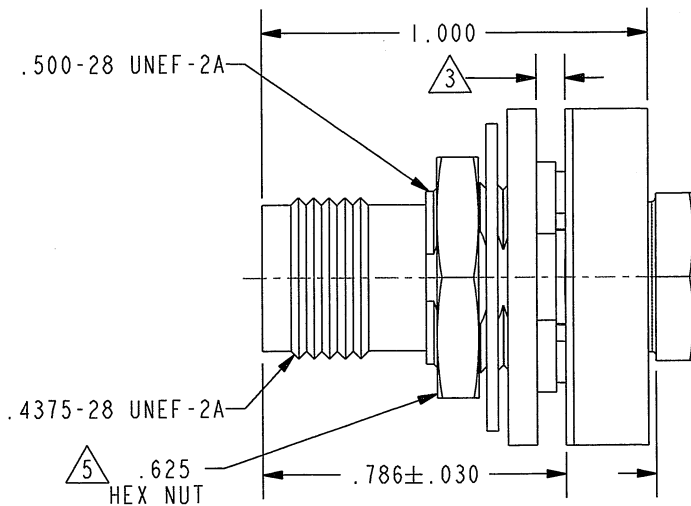


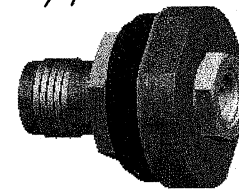
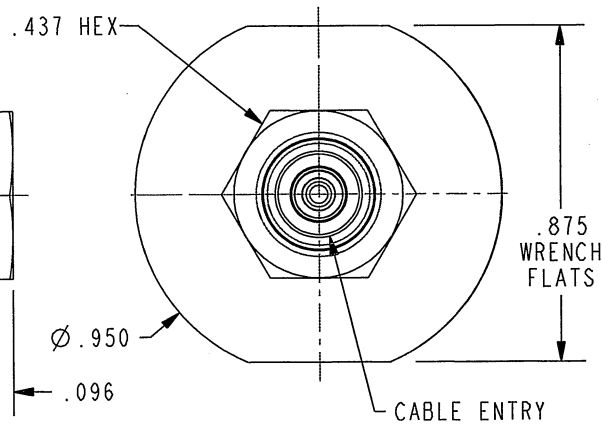
DASH NO	CABLES ACCOMMODATED	ASSEMBLE PER
-1	RG-58	TAI-145
-U1	621-715	
-2	RG-59	
-U2		
-2A	8279 BELDEN	
-U2A		
-3	RG-55	
-U3	G03233	
-3A	RG-55	
-U3A		
-4	RG-122	
-U4	8218	
-5	RG-174	
-U5	RG-179	
-5A	RG-196	
-U5A		

DATA CONTAINED IN THIS DOCUMENT IS PROPRIETARY TO TROMPETER ELECTRONICS INC. AND SHALL NOT BE DISCLOSED, COPIED OR USED FOR PROCUREMENT OR MANUFACTURE WITHOUT EXPRESS WRITTEN PERMISSION.

REVISIONS			
REV	DESCRIPTIONS	DATE	APPROVED
F	REVISED PER ECO # 16448	10/1/07 <i>mm</i>	



**RED INDICATES ORIGINAL**



SCALE 1/1

5 TIGHTEN TO 25 INCH-POUNDS MAXIMUM INSTALLATION TORQUE

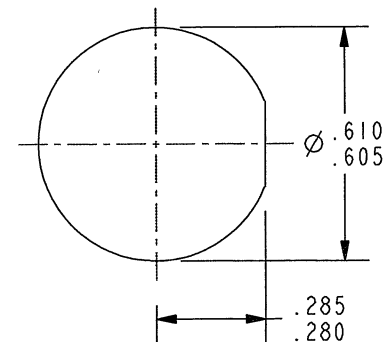
4. FILTER FUNCTION BETWEEN SHIELD AND CHASSIS:

- (A) VOLTAGE RATING: 200 VDC AT SEA LEVEL AND 25° C
- (B) CAPACITANCE: 4nFD MINIMUM 10nFD MAXIMUM AT 1KHz AND 25° C
- (C) DISSIPATION FACTOR: 5% MAXIMUM AT 1 KHz AND 25° C
- (D) DIELECTRIC WITHSTANDING VOLTAGE: 500 VDC AT SEA LEVEL AND 25° C FOR 1 MINUTE
- (E) INSULATION RESISTANCE: 1 G- OHM MINIMUM AT 200 VDC AND 25° C
- (F) RF INSERTION LOSS (FILTER PERFORMANCE) : WHEN MEASURED PER MIL-STD-220 ON A SWEEP FREQUENCY RESPONSE BASIS (WITH 1/2 AMP DRIVEN CURRENT IN 50 OR 75 OHM) INSERTION LOSS SHALL BE AS FOLLOWS:

FREQUENCY (MHZ)	(ATTENUATION MINIMUM dB AT 25° C)
1	1
3	2
10	8
30	16
100	30
300	30
1000	30

-1 SHOWN

SCALE 2/1



RECOMMENDED  
PANEL CUTOUT  
SCALE 2/1

3 MAXIMUM PANEL THICKNESS .094

2. FINISH: TFS-1A (NICKEL)

1. 50 & 75 OHM TNC COAXIAL BULKHEAD MOUNT CABLE JACK WITH GROUND FILTERING CAPACITOR

NOTES: UNLESS OTHERWISE SPECIFIED.

INTERPRET DRAWING PER MIL-STD-100. DIMENSIONS ARE IN INCHES AND INCLUDE FINISH THICKNESS UNLESS OTHERWISE SPECIFIED.		TOL: UNLESS SPECIFIED. .XX ± .02 .XXX ± .010 ANGLE ± 1°			
DRN J. CARPENTER	08-17-07	MATERIAL:	TITLE:  U/BJ46GF		
CHK <i>mm</i>	9/5/07	FINISH:	SIZE <b>A</b>	CAGE CODE <b>14949</b>	DRAWING NO. 1-0478
QUALITY:			SCALE 2/1	DATE 8-23-83	REV. F
MANUF:			DO NOT SCALE DWG	SHEET IC	
APPROVED <i>mm</i>	9/5/07	PROTE FILE NO. 1-0478			