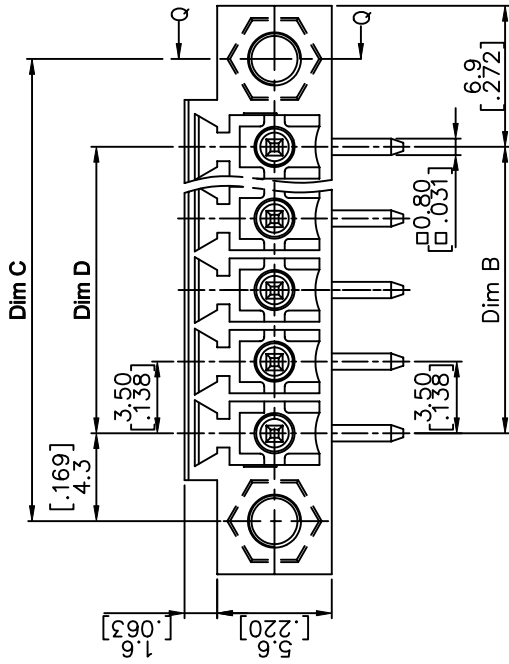
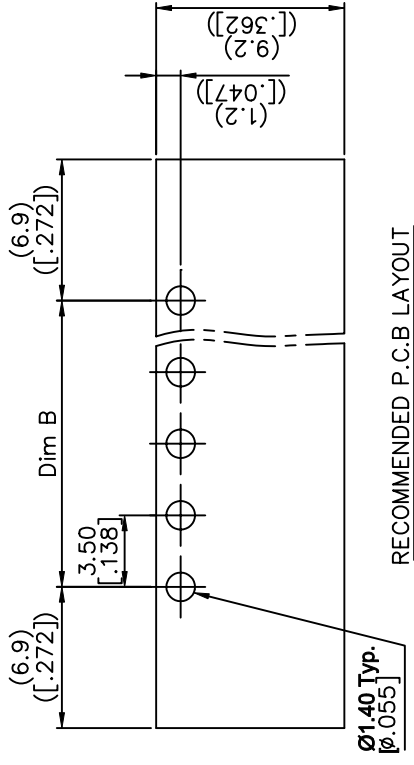


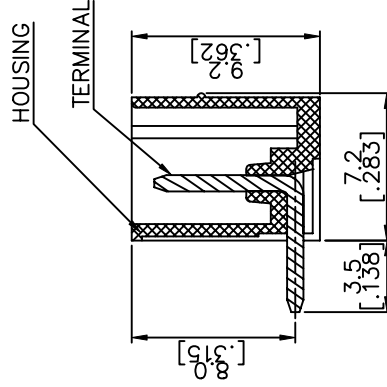
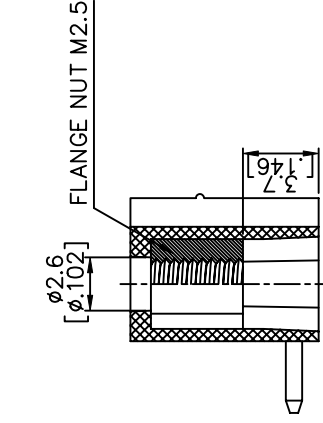
PRODUCT NUMBER	SERIES NAME	PITCH
20020111-CXXXXXXLF	06-350	3.50 mm



N= Number of poles

Dim A	$(N-1)*3.5[.138]+13.8[.543]$
Dim B	$(N-1)*3.5[.138]$
Dim C	$(N-1)*3.5[.138]+8.6[.339]$
Dim D	$(N-1)*3.5[.138]$

Poles	Tolerance
2p-6p	$\pm 0.15[.006]$
7p-12p	$\pm 0.20[.008]$
13p-16p	$\pm 0.25[.010]$
17p-24p	$\pm 0.30[.012]$

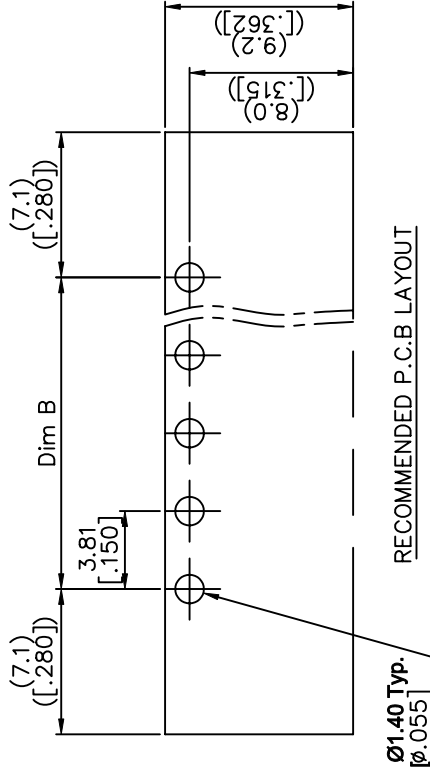
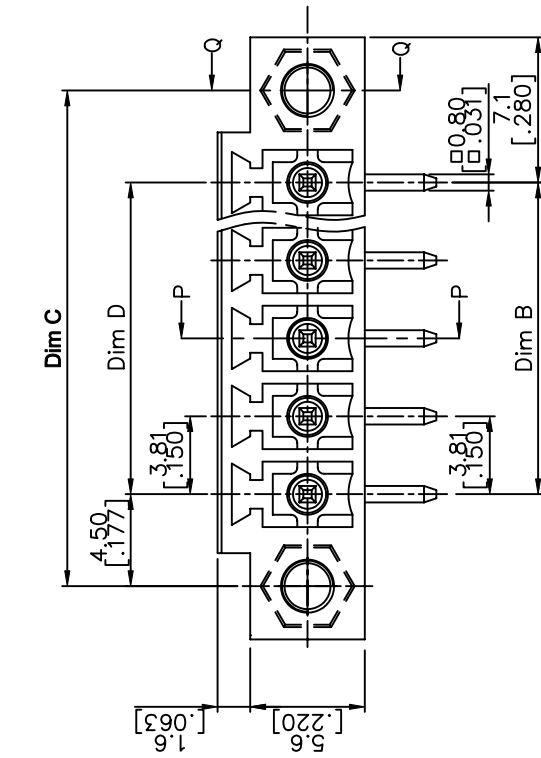


SECTION Q-Q

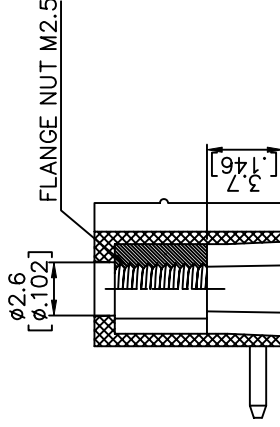
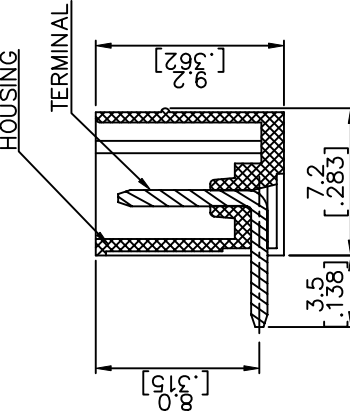
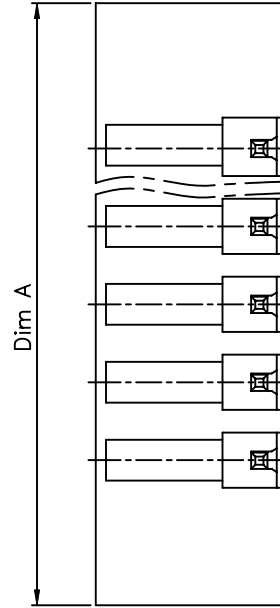
SECTION P-P

mat'l. code	surface	tolerance	projection	product family	TERMINAL BLOCK
itr	ASME Y14.5	ASME Y14.5		title	TERMINAL BLOCK
ecn no	tolerances unless otherwise specified	X.±0.5[.020]	MM	TERMINAL BLOCK	PLUGGABLE, SOCKET, SIGNAL, R/A
dr	angles	X.X±0.3[.012]	[INCH]	W/FLANGE	
enr	X'±1'	X.XX±0.1[.004]	scale	dwg no	sheet 2 of 5
chr	dr	WENDY CHEN	FCI	20020111	A4
appd	enr	JASON HSU		type	CUSTOMER Drawing
revision	chr	GARY HSIEH			
sheet	appd	JOSEPH HSIA			
index	sheet				

PRODUCT NUMBER	SERIES NAME	PITCH
20020111-DXXXXXXLF	06-381	3.81 mm



RECOMMENDED P.C.B LAYOUT



SECTION Q-Q

SECTION P-P

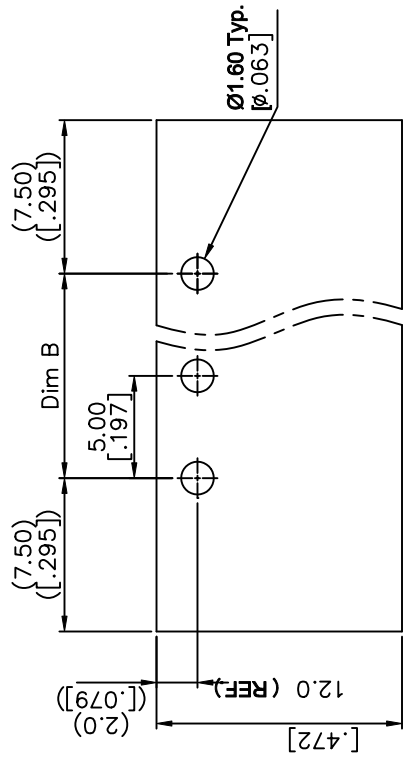
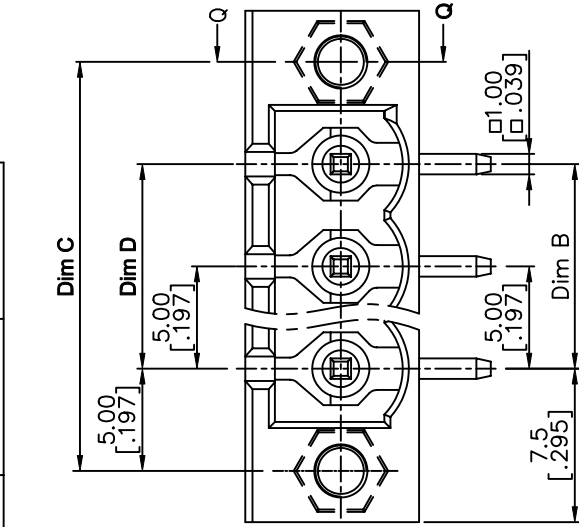
N= Number of poles

Dim A	$(N-1) \times 3.81 [.150] + 14.2 [.559]$
Dim B	$(N-1) \times 3.81 [.150]$
Dim C	$(N-1) \times 3.81 [.150] + 9.0 [.354]$
Dim D	$(N-1) \times 3.81 [.150]$

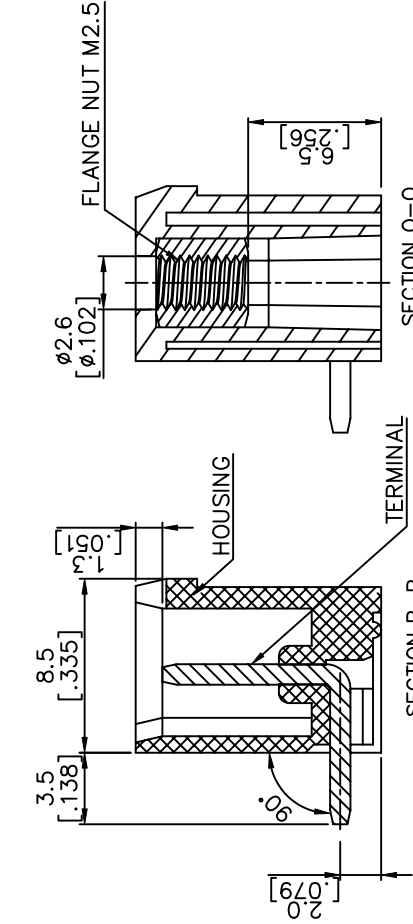
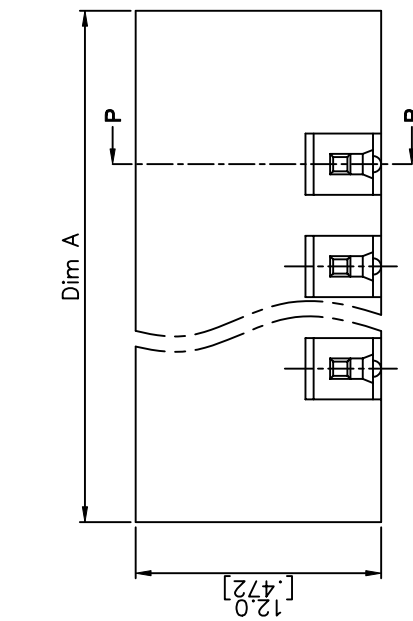
Poles	Tolerance
2p-6p	$\pm 0.15 [.006]$
7p-12p	$\pm 0.20 [.008]$
13p-16p	$\pm 0.25 [.010]$
17p-24p	$\pm 0.30 [.012]$

mat'l. code		surface	tolerance	projection	product family	TERMINAL BLOCK
ltr	ecn no	ASME Y14.5	ASME Y14.5	MM	terminal block	terminal block
F	date	tolerances unless otherwise specified		INCH	terminal block	terminal block
		angles	X:±0.5 [.020]	scale	terminal block	terminal block
		X:±1°	X:X±0.3 [.012]		terminal block	terminal block
		X:XX±0.1 [.004]			terminal block	terminal block
		dr WENDY CHEN	042610		terminal block	terminal block
		enr JASON HSU	042610		terminal block	terminal block
		chr GARY HSIEH	042610		terminal block	terminal block
		appd JOSEPH HSIA	042610		terminal block	terminal block
sheet	revision				terminal block	terminal block
index	sheet				terminal block	terminal block

PRODUCT NUMBER	SERIES NAME	PITCH
20020111-CXXXXXXLF	06-500	5.00 mm



RECOMMENDED PCB LAYOUT



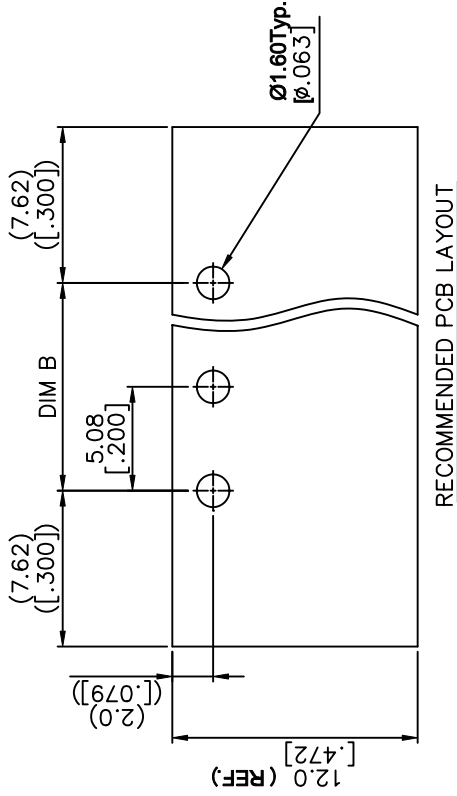
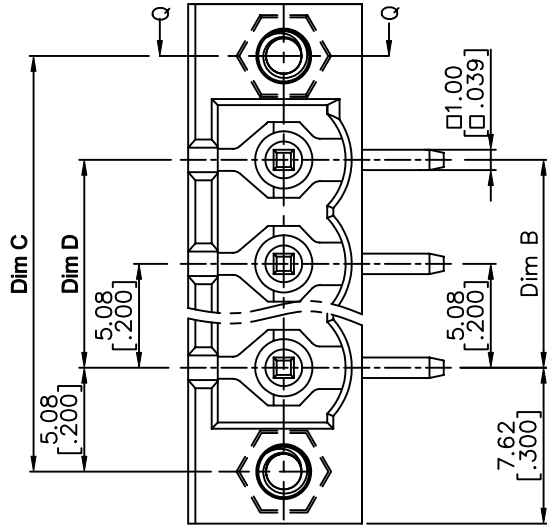
N= NUMBER OF POLES

Dim A	(N+2)*5.0	[.197]
Dim B	(N-1)*5.0	[.197]
Dim C	(N+1)*5.0	[.197]
Dim D	(N-1)*5.0	[.197]

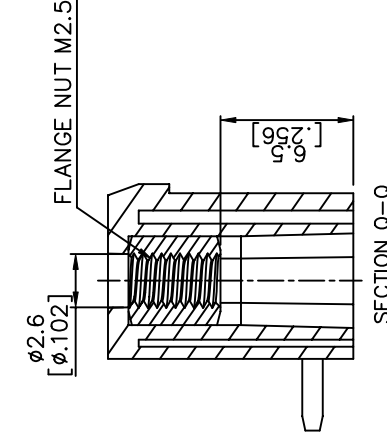
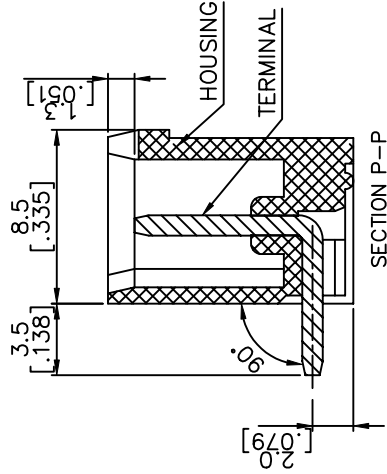
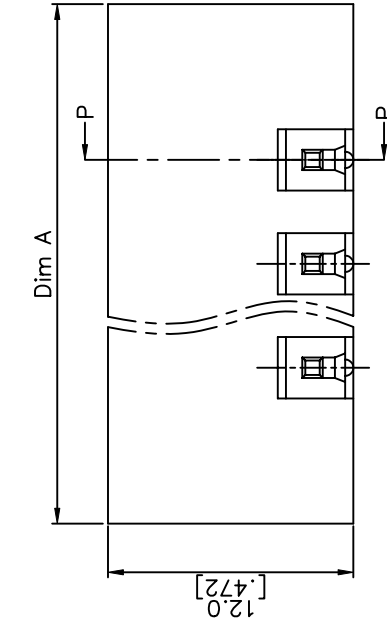
Poles	Tolerance
2P-6P	±0.15 [.006]
7P-12P	±0.20 [.008]
13P-18P	±0.25 [.010]
19P-24P	±0.30 [.012]

mat'l. code	surface	tolerance	projection	product family	TERMINAL BLOCK
itr	ASME Y14.5	ASME Y14.5	MM	terminal block	
ecn no	tolerances unless otherwise specified		[INCH]	TERMINAL BLOCK	
dr	angles	X.±0.5 [.020]	scale	PLUGGABLE, SOCKET, SIGNAL, R/A	
date	X.X±0.3 [.012]			W/FLANGE	
	X±1	X.XX±0.1 [.004]			
	dr	WENDY CHEN 042610		dwg no	sheet 4 of 5 size
	enr	JASON HSU 042610		20020111	A4
	chr	GARY HSIEH 042610		type	CUSTOMER Drawing
	appd	JOSEPH HSIA 042610			
sheet	revision				
index	sheet				

PRODUCT NUMBER	SERIES NAME	PITCH
20020111-HXXXXXXLF	06-508	5.08 mm



RECOMMENDED PCB LAYOUT



N= NUMBER OF CONCATS

Dim A	(N+2)*5.08[.200]
Dim B	(N-1)*5.08[.200]
Dim C	(N+1)*5.08[.200]
Dim D	(N-1)*5.08[.200]

Poles	Tolerance
2P-6P	±0.15[.006]
7P-12P	±0.20[.008]
13P-18P	±0.30[.012]
19P-24P	±0.40[.016]

mat'l. code	surface	tolerance	projection	product family	TERMINAL BLOCK
F	ASME Y14.5	ASME Y14.5	MM [INCH]	title	TERMINAL BLOCK PLUGGABLE, SOCKET, SIGNAL, R/A W/FLANGE
ltr	ecn no	dr	date	dwg no	sheet 5 of 5
		dr		20020111	A4
		enr			
		chr			
		appd			
sheet	revision				
index	sheet				