



Applications

- On microphones in civil and military telecommunication area
- On sensors in mechanical and climatic severe environment in measurement area.

Standards

VG 96934



Description

- Audio-miniature connectors with 10 contacts especially designed for transmission of very low current
- Bayonet locking system
- Solder or straight spills contacts
- 5 different orientations
- Sealed connector in unmated or mated position
- Self-cleaning contacts during mating operations.

Characteristics

Mechanical

- Locking torque : Max. 100 Ncm
min. 10 Ncm
- Vibration : 150 m/s²
from 10 to 2000 Hz
- Sealing : 0,4 bar - 48 hours
- Endurance : 5000 cycles
- Weight : Max. 19g
- Shell : non magnetic stainless steel black cadmium
- Insulator : thermoset
- Gasket : silicone elastomer
- Contact : Cu-Zn/Cu-Be alloy
- Plating : 5 µm gold over 2 µm nickel

Electrical

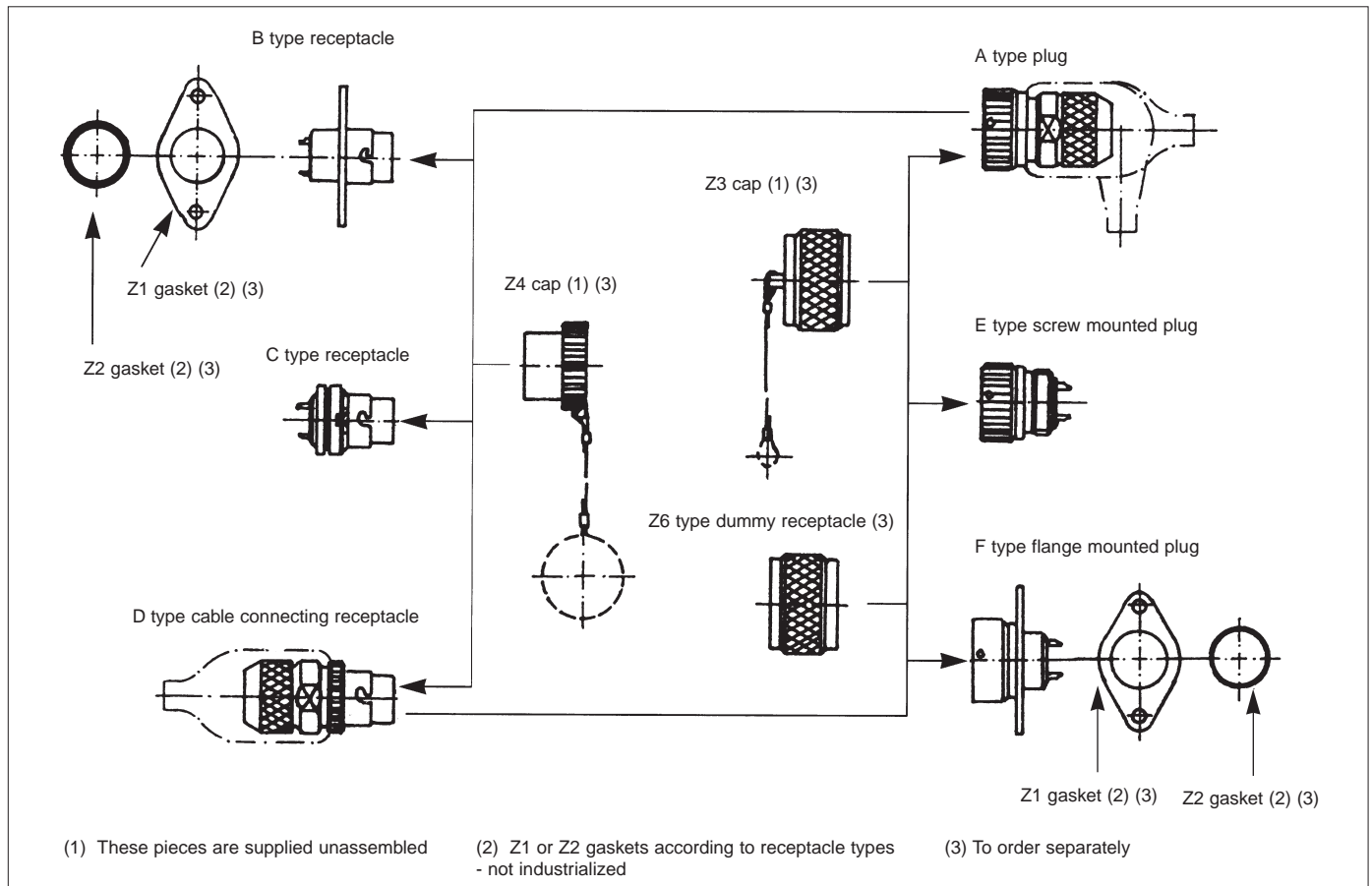
- Withstanding voltage 500 Vrms, 50 Hz
- Insulation resistance 5000 MΩ
- Current rating per contact 500 mA/30 µA
- Working voltage 50 V
- Contact resistance for mated connectors
 - at + 25°C 20 mΩ
 - at - 55°C 100 mΩ
 - after life duration at +25°C 50 mΩ
- Shell continuity 5 mΩ
- Shielding
 - 70 dB from 0,01 to 10 MHz
 - Test according to VG 95 373
 - 50 dB to 100 MHz

Climatic

Temperature range

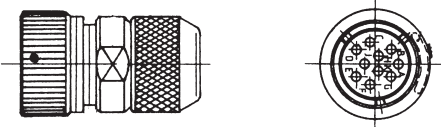
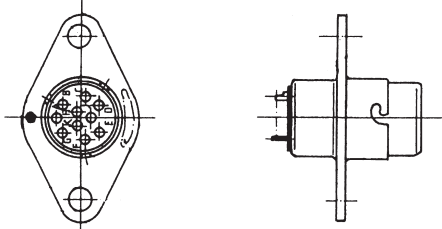
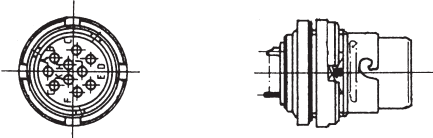
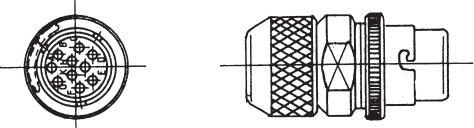

- Working temperature - 55°C/+ 85°C
- Storage temperature - 55°C/+ 65°C

Shell types according to VG 96934



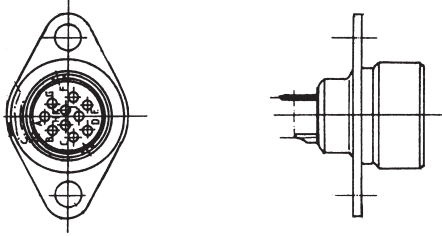
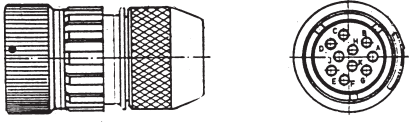


Cross reference list 8A10/VG 96934

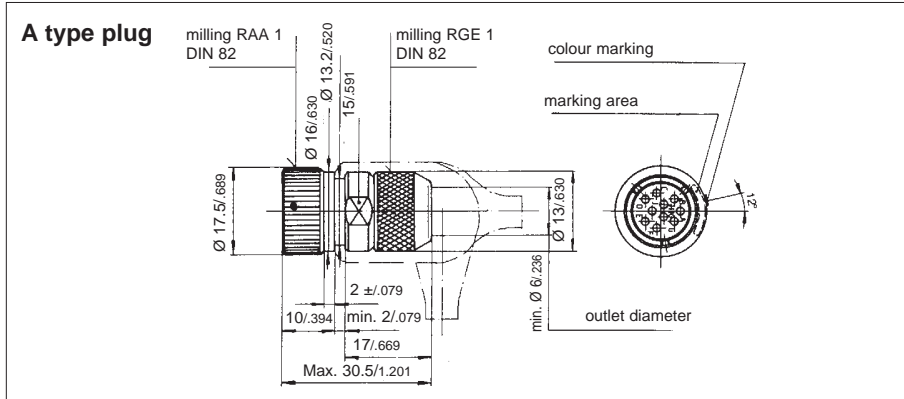
Description	VG 96934 Part numbers	8A10 Part numbers
A type 	VG 96934 A 10 N L0 VG 96934 A 10 W L0 VG 96934 A 10 X L0 VG 96934 A 10 Y L0 VG 96934 A 10 Z L0	8 A 10 AA 1 A 1 8 A 10 AA 2 A 1 8 A 10 AA 3 A 1 8 A 10 AA 4 A 1 8 A 10 AA 5 A 1
B type 	VG 96934 B 10 N L0 VG 96934 B 10 W L0 VG 96934 B 10 X L0 VG 96934 B 10 Y L0 VG 96934 B 10 Z L0	8 A 10 AB 1 A 1 8 A 10 AB 2 A 1 8 A 10 AB 3 A 1 8 A 10 AB 4 A 1 8 A 10 AB 5 A 1
	VG 96934 B 10 N L1 VG 96934 B 10 W L1 VG 96934 B 10 X L1 VG 96934 B 10 Y L1 VG 96934 B 10 Z L1	8 A 10 AB 1 B 1 8 A 10 AB 2 B 1 8 A 10 AB 3 B 1 8 A 10 AB 4 B 1 8 A 10 AB 5 B 1
	VG 96934 B 10 N L2 VG 96934 B 10 W L2 VG 96934 B 10 X L2 VG 96934 B 10 Y L2 VG 96934 B 10 Z L2	8 A 10 AB 1 C 1 8 A 10 AB 2 C 1 8 A 10 AB 3 C 1 8 A 10 AB 4 C 1 8 A 10 AB 5 C 1
C type 	VG 96934 C 10 N L0 VG 96934 C 10 W L0 VG 96934 C 10 X L0 VG 96934 C 10 Y L0 VG 96934 C 10 Z L0	8 A 10 AC 1 A 1 8 A 10 AC 2 A 1 8 A 10 AC 3 A 1 8 A 10 AC 4 A 1 8 A 10 AC 5 A 1
	VG 96934 C 10 N L1 VG 96934 C 10 W L1 VG 96934 C 10 X L1 VG 96934 C 10 Y L1 VG 96934 C 10 Z L1	8 A 10 AC 1 B 1 8 A 10 AC 2 B 1 8 A 10 AC 3 B 1 8 A 10 AC 4 B 1 8 A 10 AC 5 B 1
	VG 96934 C 10 N L2 VG 96934 C 10 W L2 VG 96934 C 10 X L2 VG 96934 C 10 Y L2 VG 96934 C10 Z L2	8 A 10 AC 1 C 1 8 A 10 AC 2 C 1 8 A 10 AC 3 C 1 8 A 10 AC 4 C 1 8 A 10 AC 5 C 1
D type 	VG 96934 D 10 N L0 VG 96934 D 10 W L0 VG 96934 D 10 X L0 VG 96934 D 10 Y L0 VG 96934 D 10 Z L0	8 A 10 AD 1 A 1 8 A 10 AD 2 A 1 8 A 10 AD 3 A 1 8 A 10 AD 4 A 1 8 A 10 AD 5 A 1
E type 	VG 96934 E 10 N L0 VG 96934 E 10 W L0 VG 96934 E 10 X L0 VG 96934 E 10 Y L0 VG 96934 E 10 Z L0	8 A 10 AE 1 A 1 8 A 10 AE 2 A 1 8 A 10 AE 3 A 1 8 A 10 AE 4 A 1 8 A 10 AE 5 A 1
	VG 96934 E 10 N L1 VG 96934 E 10 W L1 VG 96934 E 10 X L1 VG 96934 E 10 Y L1 VG 96934 E 10 Z L1	8 A 10 AE 1 B 1 8 A 10 AE 2 B 1 8 A 10 AE 3 B 1 8 A 10 AE 4 B 1 8 A 10 AE 5 B 1
	VG 96934 E 10 N L2 VG 96934 E 10 W L2 VG 96934 E 10 X L2 VG 96934 E 10 Y L2 VG 96934 E 10 Z L2	8 A 10 AE 1 C 1 8 A 10 AE 2 C 1 8 A 10 AE 3 C 1 8 A 10 AE 4 C 1 8 A 10 AE 5 C 1



Cross reference list 8A10/VG 96934

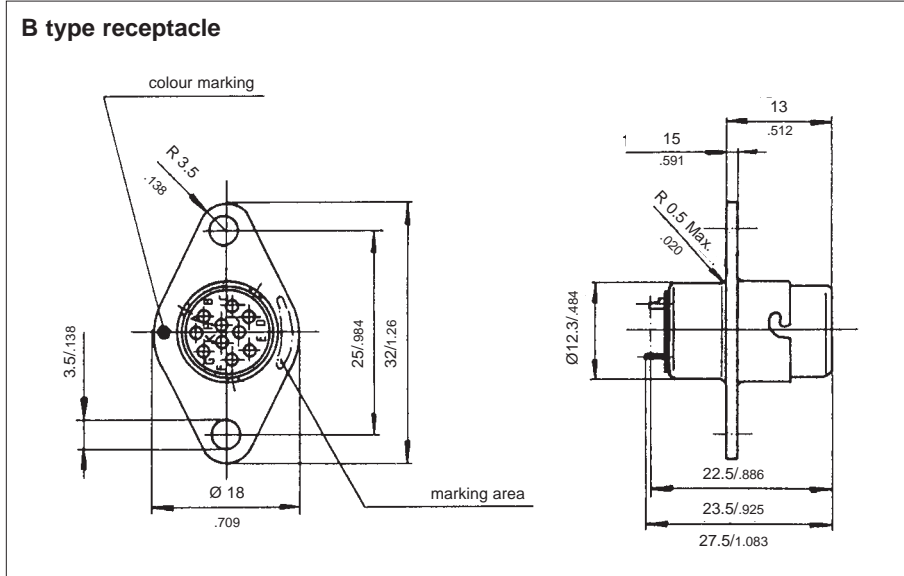
Description	VG 96934 Part numbers	8A10 Part numbers
F type 	VG 96934 F 10 N L0 VG 96934 F 10 W L0 VG 96934 F 10 X L0 VG 96934 F 10 Y L0 VG 96934 F 10 Z L0	8 A 10 AF 1 A 1 8 A 10 AF 2 A 1 8 A 10 AF 3 A 1 8 A 10 AF 4 A 1 8 A 10 AF 5 A 1
	VG 96934 F 10 N L1 VG 96934 F 10 W L1 VG 96934 F 10 X L1 VG 96934 F 10 Y L1 VG 96934 F 10 Z L1	8 A 10 AF 1 B 1 8 A 10 AF 2 B 1 8 A 10 AF 3 B 1 8 A 10 AF 4 B 1 8 A 10 AF 5 B 1
	VG 96934 F 10 N L2 VG 96934 F 10 W L2 VG 96934 F 10 X L2 VG 96934 F 10 Y L2 VG 96934 F 10 Z L2	8 A 10 AF 1 C 1 8 A 10 AF 2 C 1 8 A 10 AF 3 C 1 8 A 10 AF 4 C 1 8 A 10 AF 5 C 1
J type 	VG 96934 J 10 N L0 VG 96934 J 10 W L0 VG 96934 J 10 X L0 VG 96934 J 10 Y L0 VG 96934 J 10 Z L0	8 A 10 AJ 1 A 1 8 A 10 AJ 2 A 1 8 A 10 AJ 3 A 1 8 A 10 AJ 4 A 1 8 A 10 AJ 5 A 1

Dimensions



solder contacts (L0)

orientation	part numbers
1	8 A 10 AA 1 A 1
2	8 A 10 AA 2 A 1
3	8 A 10 AA 3 A 1
4	8 A 10 AA 4 A 1
5	8 A 10 AA 5 A 1



solder contacts (L0)

orientation	part numbers
1	8 A 10 AB1 A 1
2	8 A 10 AB 2 A 1
3	8 A 10 AB 3 A 1
4	8 A 10 AB 4 A 1
5	8 A 10 AB 5 A 1

straight spill contacts (L1)

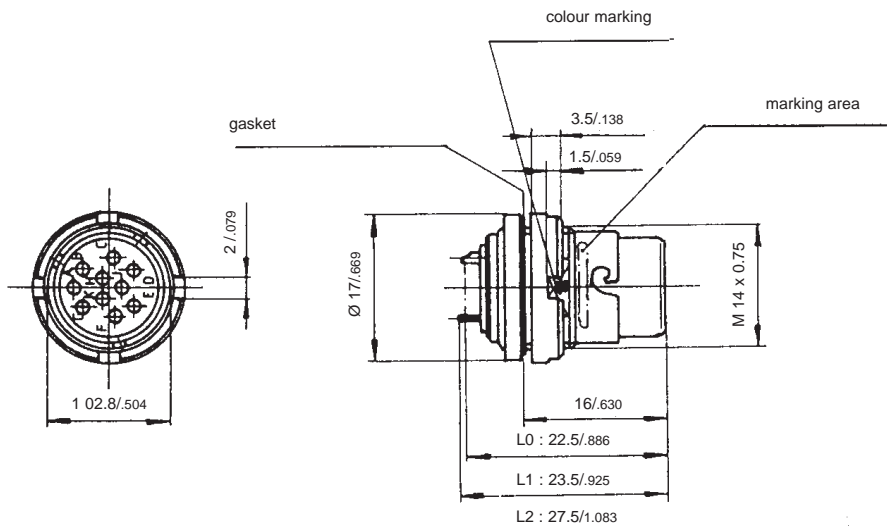
orientation	part numbers
1	8 A 10 AB 1 B 1
2	8 A 10 AB 2 B 1
3	8 A 10 AB 3 B 1
4	8 A 10 AB 4 B 1
5	8 A 10 AB 5 B 1

straight spill contacts (L2)

orientation	part numbers
1	8 A 10 AB 1 C 1
2	8 A 10 AB 2 C 1
3	8 A 10 AB 3 C 1
4	8 A 10 AB 4 C 1
5	8 A 10 AB 5 C 1



C type receptacle



solder contacts (L0)

orientation	part numbers
1	8 A 10 AC 1 A 1
2	8 A 10 AC 2 A 1
3	8 A 10 AC 3 A 1
4	8 A 10 AC 4 A 1
5	8 A 10 AC 5 A 1

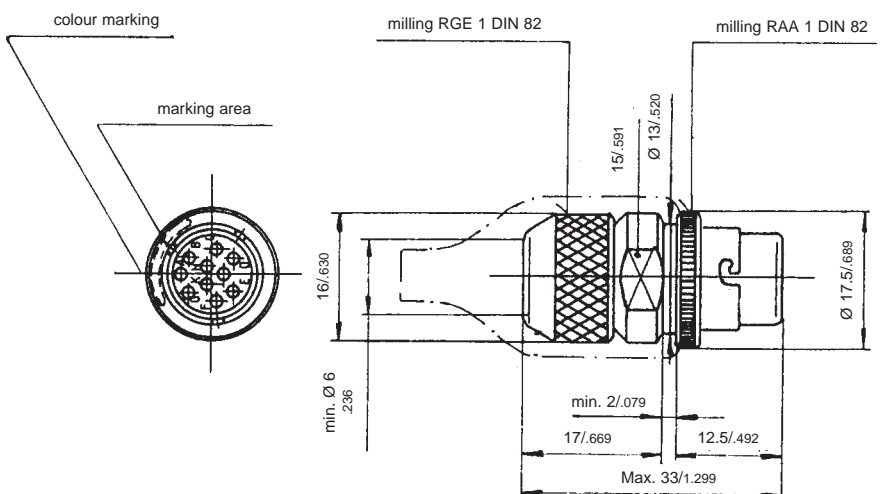
straight spill contacts (L1)

orientation	part numbers
1	8 A 10 AC 1 B 1
2	8 A 10 AC 2 B 1
3	8 A 10 AC 3 B 1
4	8 A 10 AC 4 B 1
5	8 A 10 AC 5 B 1

straight spill contacts (L2)

orientation	part numbers
1	8 A 10 AC 1 C 1
2	8 A 10 AC 2 C 1
3	8 A 10 AC 3 C 1
4	8 A 10 AC 4 C 1
5	8 A 10 AC 5 C 1

D type cable connecting receptacle

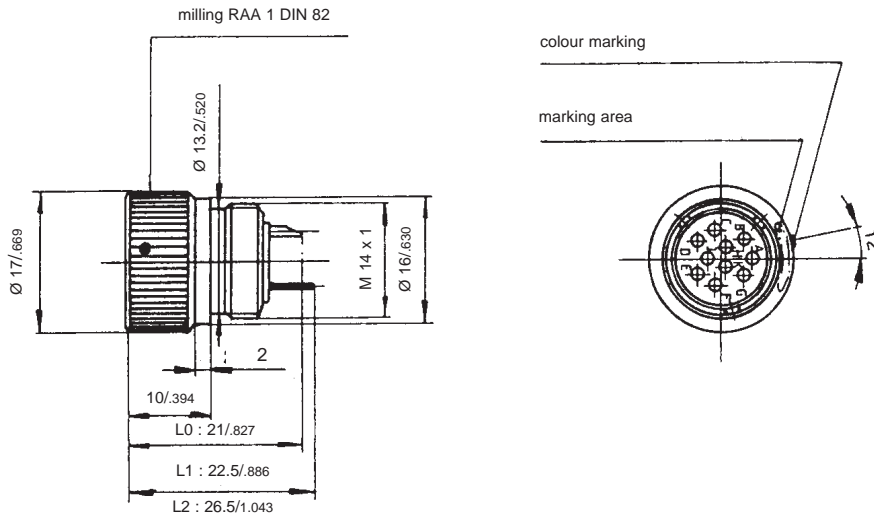


solder contacts (L0)

orientation	part numbers
1	8 A 10 AD 1 A 1
2	8 A 10 AD 2 A 1
3	8 A 10 AD 3 A 1
4	8 A 10 AD 4 A 1
5	8 A 10 AD 5 A 1



E type screw mounted plug



solder contacts (L0)

orientation	part numbers
1	8 A 10 AE 1 A 1
2	8 A 10 AE 2 A 1
3	8 A 10 AE 3 A 1
4	8 A 10 AE 4 A 1
5	8 A 10 AE 5 A 1

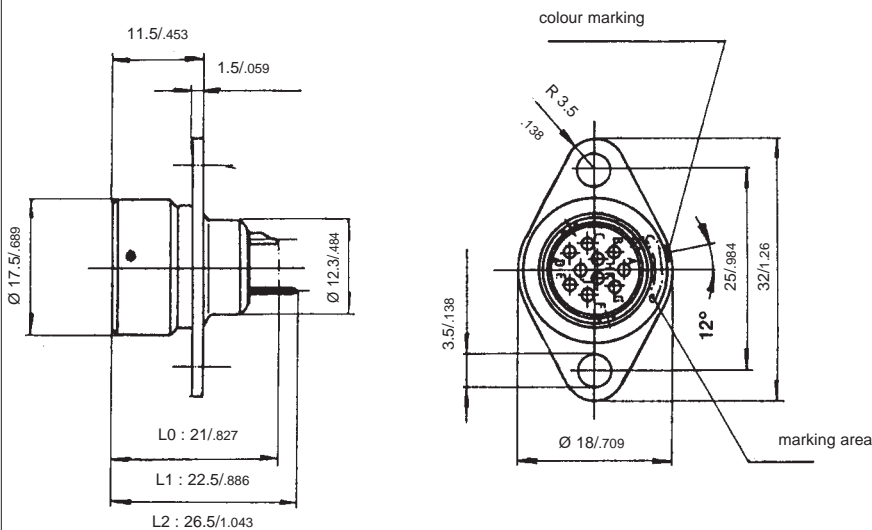
straight spill contacts (L1)

orientation	part numbers
1	8 A 10 AE 1 B 1
2	8 A 10 AE 2 B 1
3	8 A 10 AE 3 B 1
4	8 A 10 AE 4 B 1
5	8 A 10 AE 5 B 1

straight spill contacts (L2)

orientation	part numbers
1	8 A 10 AE 1 C 1
2	8 A 10 AE 2 C 1
3	8 A 10 AE 3 C 1
4	8 A 10 AE 4 C 1
5	8 A 10 AE 5 C 1

F type flange mounted plug



solder contacts (L0)

orientation	part numbers
1	8 A 10 AF 1 A 1
2	8 A 10 AF 2 A 1
3	8 A 10 AF 3 A 1
4	8 A 10 AF 4 A 1
5	8 A 10 AF 5 A 1

straight spill contacts (L1)

orientation	part numbers
1	8 A 10 AF 1 B 1
2	8 A 10 AF 2 B 1
3	8 A 10 AF 3 B 1
4	8 A 10 AF 4 B 1
5	8 A 10 AF 5 B 1

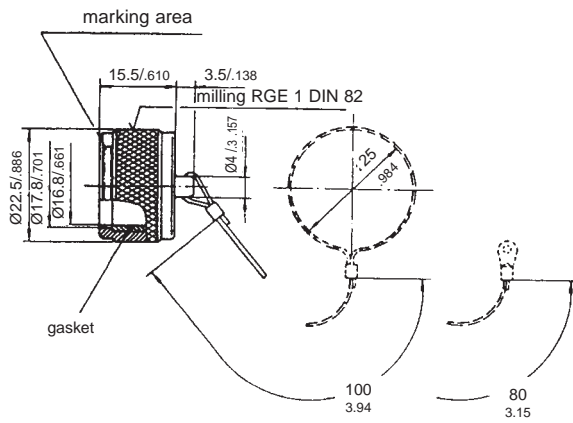
straight spill contacts (L2)

orientation	part numbers
1	8 A 10 AF 1 C 1
2	8 A 10 AF 2 C 1
3	8 A 10 AF 3 C 1
4	8 A 10 AF 4 C 1
5	8 A 10 AF 5 C 1



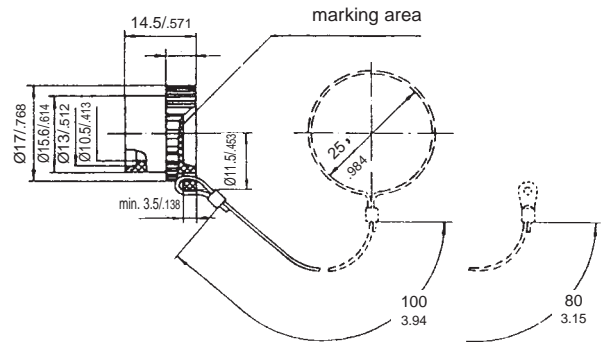
Accessories

Z3 type cap



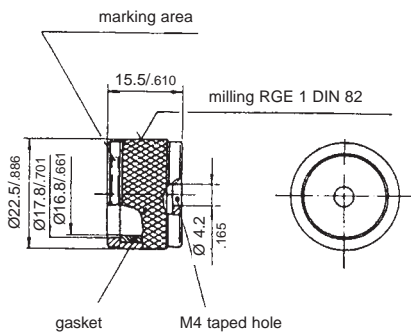
part number 8 A 10 Z 03

Z4 type cap



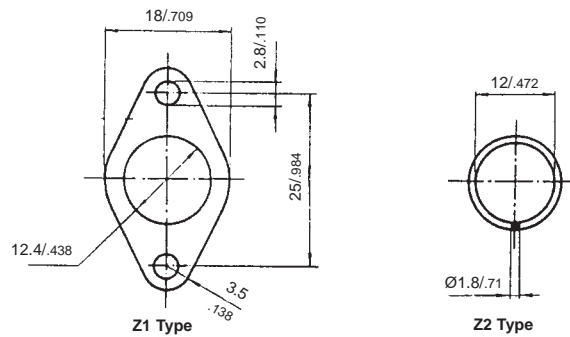
part number 8 A 10 Z 04

Dummy receptacle



part number 8 A 10 Z 06

Gaskets

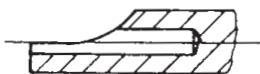


part number 8 A 10 Z 01

8 A 10 Z 02

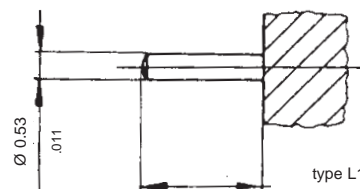
Contacts

Solder contacts



type L0
AWG 20 (0.6 mm²)

Straight spill contacts

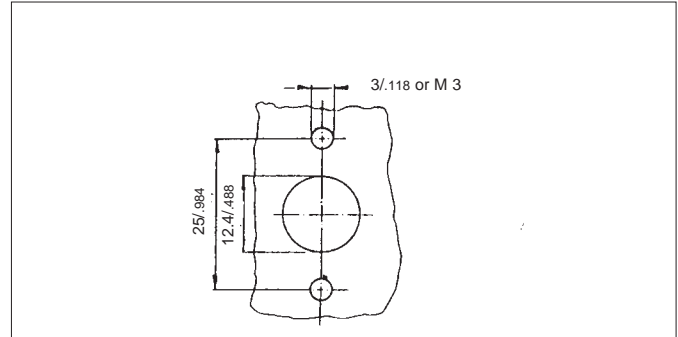
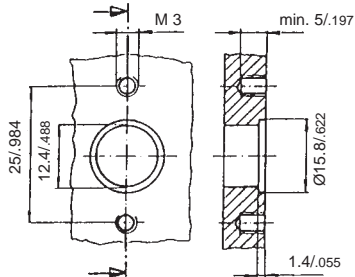


type L1 = 3.5/138
type L2 = 8/315

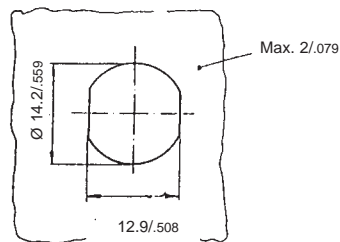


Panel cut out

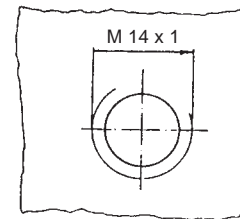
panel cut out for B and F types receptacles



panel-cut out for C type receptacle

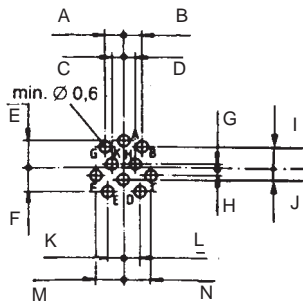


panel-cut out for E type receptacle



co-ordinates for straight spill contacts

contact identification - viewed from front face of male insulator



A	2.45 .096	H	1.1 .043
B	2.45 .096	I	2.9 .114
C	1.55 .061	J	1.65 .065
D	1.55 .061	K	2.05 .081
E	3.8 .150	L	2.05 .081
F	3.2 .126	M	3.65 .144
G	0.45 .018	N	3.65 .144