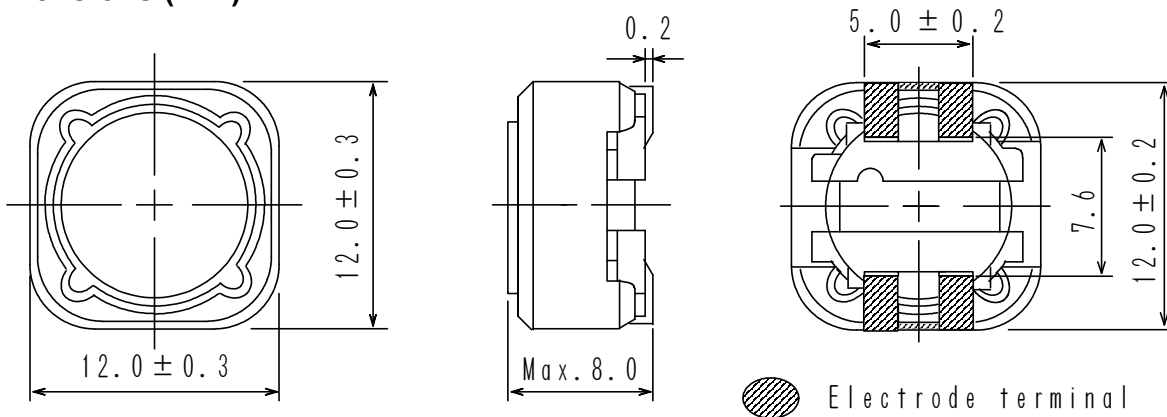


Type: CDRH127, CDRH127/LD
◆ Product Description

- 12.3×12.3mm Max.(L×W), 8.0mm Max. Height.
- Both standard type CDRH127 and Low DCR type CDRH127/LD are available.
- Inductance Range: 1.2 μH~1.0mH(CDRH127); 1.0 μH~1.0mH(CDRH127/LD).
- Rated current range: 0.55~9.8A(CDRH127); 0.7~14A(CDRH127/LD).
- In addition to the standard versions of inductors shown here, custom inductors are available to meet your exact requirements.


◆ Feature

- Magnetically shielded construction.
- Ideally used in Notebook PC, LCD TV,DVD, Game machine, STB ,Projector etc as DC-DC Converter inductors.
- Qualification to AEC-Q200.
- RoHS Compliance and Halogen free.

◆ Dimensions (mm)

◆ Land Pattern (mm)


Type: CDRH127, CDRH127/LD
◆ Specification(CDRH127)

Part Name ※	Stamp	Inductance (μ H)	D.C.R.(Ω) Max.(Typ.) (at 20°C)	Rated current (A)※1	Measuring frequency
CDRH127NP-1R2N□	1R2	+40% 1.2-20%	7.0m(5.2m)	9.80	at 100 kHz
CDRH127NP-2R4N□	2R4	+40% 2.4-20%	11.5m(8.5m)	8.00	
CDRH127NP-3R5N□	3R5	+40% 3.5-20%	13.5m(10.0m)	7.50	
CDRH127NP-4R7N□	4R7	+40% 4.7-20%	15.8m(11.7m)	6.80	
CDRH127NP-6R1N□	6R1	+40% 6.1-20%	17.6m(13.0m)	6.60	
CDRH127NP-7R6N□	7R6	+40% 7.6-20%	20.0m(15.0m)	5.90	
CDRH127NP-100M□	100	10 \pm 20%	21.6m(16.0m)	5.40	at 1 kHz
CDRH127NP-120M□	120	12 \pm 20%	24.3m(18.0m)	4.90	
CDRH127NP-150M□	150	15 \pm 20%	27.0m(20.0m)	4.50	
CDRH127NP-180M□	180	18 \pm 20%	39.2m(29.0m)	3.90	
CDRH127NP-220M□	220	22 \pm 20%	43.2m(32.0m)	3.60	
CDRH127NP-270M□	270	27 \pm 20%	45.9m(34.0m)	3.40	
CDRH127NP-330M□	330	33 \pm 20%	64.8m(48.0m)	3.00	
CDRH127NP-390M□	390	39 \pm 20%	72.9m(54.0m)	2.75	
CDRH127NP-470M□	470	47 \pm 20%	0.10 (76.0m)	2.50	
CDRH127NP-560M□	560	56 \pm 20%	0.11 (83.0m)	2.35	
CDRH127NP-680M□	680	68 \pm 20%	0.14 (0.10)	2.10	
CDRH127NP-820M□	820	82 \pm 20%	0.16 (0.12)	1.95	
CDRH127NP-101M□	101	100 \pm 20%	0.22 (0.17)	1.70	
CDRH127NP-121M□	121	120 \pm 20%	0.25 (0.18)	1.60	
CDRH127NP-151M□	151	150 \pm 20%	0.28 (0.21)	1.42	
CDRH127NP-181M□	181	180 \pm 20%	0.35 (0.26)	1.30	
CDRH127NP-221M□	221	220 \pm 20%	0.39 (0.29)	1.16	
CDRH127NP-271M□	271	270 \pm 20%	0.56 (0.42)	1.06	
CDRH127NP-331M□	331	330 \pm 20%	0.64 (0.47)	0.95	
CDRH127NP-391M□	391	390 \pm 20%	0.70 (0.52)	0.88	
CDRH127NP-471M□	471	470 \pm 20%	0.98 (0.73)	0.79	
CDRH127NP-561M□	561	560 \pm 20%	1.07 (0.79)	0.73	
CDRH127NP-681M□	681	680 \pm 20%	1.46 (1.12)	0.67	
CDRH127NP-821M□	821	820 \pm 20%	1.64 (1.26)	0.60	
CDRH127NP-102M□	102	1000 \pm 20%	1.82 (1.40)	0.55	

Type: CDRH127, CDRH127/LD
◆ Specification(CDRH127/LD)

Part Name ※	Stamp	Inductance (μ H)	D.C.R.(Ω) Max.(Typ.)(at 20°C)	Rated Current (A)※1	Measuring frequency
CDRH127/LDNP-1R0N□	1R0	1.0 \pm 30%	6.5m(5.0m)	14.0	at 100 kHz
CDRH127/LDNP-2R4N□	2R4	2.4 \pm 30%	10.5m(8.1m)	10.3	
CDRH127/LDNP-3R5N□	3R5	3.5 \pm 30%	12.4m(9.5m)	9.30	
CDRH127/LDNP-4R6N□	4R6	4.6 \pm 30%	13.8m(10.6m)	9.10	
CDRH127/LDNP-5R8N□	5R8	5.8 \pm 30%	16.2m(12.4m)	8.60	
CDRH127/LDNP-7R4N□	7R4	7.4 \pm 30%	17.7m(13.6m)	7.40	
CDRH127/LDNP-100M□	100	10 \pm 20%	19.5m(15.0m)	6.70	at 1 kHz
CDRH127/LDNP-120M□	120	12 \pm 20%	21.3m(16.4m)	6.45	
CDRH127/LDNP-150M□	150	15 \pm 20%	26.4m(20.3m)	5.65	
CDRH127/LDNP-180M□	180	18 \pm 20%	28.0m(21.5m)	5.10	
CDRH127/LDNP-220M□	220	22 \pm 20%	36.4m(28.0m)	4.70	
CDRH127/LDNP-270M□	270	27 \pm 20%	41.6m(32.0m)	4.20	
CDRH127/LDNP-330M□	330	33 \pm 20%	53.3m(41.0m)	3.90	
CDRH127/LDNP-390M□	390	39 \pm 20%	60.5m(46.5m)	3.50	
CDRH127/LDNP-470M□	470	47 \pm 20%	78.0m(60.0m)	3.25	
CDRH127/LDNP-560M□	560	56 \pm 20%	90.0m(69.0m)	2.90	
CDRH127/LDNP-680M□	680	68 \pm 20%	120m(92.0m)	2.60	
CDRH127/LDNP-820M□	820	82 \pm 20%	119m(91.0m)	2.40	
CDRH127/LDNP-101M□	101	100 \pm 20%	151m (119m)	2.10	
CDRH127/LDNP-121M□	121	120 \pm 20%	169m (130m)	1.90	
CDRH127/LDNP-151M□	151	150 \pm 20%	227m (174m)	1.80	
CDRH127/LDNP-181M□	181	180 \pm 20%	299m (230m)	1.55	
CDRH127/LDNP-221M□	221	220 \pm 20%	338m (260m)	1.45	
CDRH127/LDNP-271M□	271	270 \pm 20%	419m (322m)	1.30	
CDRH127/LDNP-331M□	331	330 \pm 20%	471m (362m)	1.20	
CDRH127/LDNP-391M□	391	390 \pm 20%	572m (440m)	1.10	
CDRH127/LDNP-471M□	471	470 \pm 20%	741m (570m)	1.00	
CDRH127/LDNP-561M□	561	560 \pm 20%	852m (655m)	0.95	
CDRH127/LDNP-681M□	681	680 \pm 20%	1.13 (870m)	0.85	
CDRH127/LDNP-821M□	821	820 \pm 20%	1.24 (950m)	0.75	
CDRH127/LDNP-102M□	102	1000 \pm 20%	1.50 (1.15)	0.70	

Type: CDRH127, CDRH127/LD
※ Description of part name

CDRH127/LDNP-1R0N□

	B	Box
	C	Carrier Tape

※1. Rated current: The DC current at which the inductance decreases to 75% of it's nominal value or when $\Delta t=40^{\circ}\text{C}$, whichever is lower($T_a=20^{\circ}\text{C}$).