

DATA CONTAINED IN THIS DOCUMENT IS PROPRIETARY TO TROMPETER ELECTRONICS INC. AND SHALL NOT BE DISCLOSED, COPIED OR USED FOR PROCUREMENT OR MANUFACTURE WITHOUT EXPRESS WRITTEN PERMISSION OF TROMPETER ELECTRONICS INC.

REVISIONS		12-14	SH 1
REV	DESCRIPTION	DATE	APPROVED
F	REVISED PER ECO #14344	12-13-01	[Signature]

P2 CONN TYPE	FIG NO	P1 CONN TYPE																											
		BJ20				UBJ20				BJ40				UBJ40				J95				UJ95							
		E1	E2	E3	E5	E1	E2	E3	E5	E1	E2	E3	E5	E1	E2	E3	E5	E1	E2	E3	E5	E1	E2	E3	E5				
BJ89	1A	-1	-2	-3	-217	-4	-5	-6	-229	-7	-8	-9	-288	-241	-10	-11	-12	-253	-13	-14	-15	-265	-16	-17	-18	-277			
BJ389	1B	-19	-20	-21	-218	-22	-23	-24	-230	-25	-26	-27		-242	-28	-29	-30	-254	-31	-32	-33	-266	-34	-35	-36	-278			
BJ893	1A	-37	-38	-39	-219	-40	-41	-42	-231	-43	-44	-45		-243	-46	-47	-48	-255	-49	-50	-51	-267	-52	-53	-54	-279			
BJ89F	2A	-55	-56	-57	-220	-58	-59	-60	-232	-61	-62	-63		-244	-64	-65	-66	-256	-67	-68	-69	-268	-70	-71	-72	-280			
BJ389F	2B	-73	-74	-75	-221	-76	-77	-78	-233	-79	-80	-81		-245	-82	-83	-84	-257	-85	-86	-87	-269	-88	-89	-90	-281			
BJ893F	2A	-91	-92	-93	-222	-94	-95	-96	-234	-97	-98	-99		-246	-100	-101	-102	-258	-103	-104	-105	-270	-106	-107	-108	-282			
CJ80	3A	-109	-110	-111	-223	-112	-113	-114	-235	-115	-116	-117		-247	-118	-119	-120	-259	-121	-122	-123	-271	-124	-125	-126	-283			
CJ380	3B	-127	-128	-129	-224	-130	-131	-132	-236	-133	-134	-135		-248	-136	-137	-138	-260	-139	-140	-141	-272	-142	-143	-144	-284			
CJ803	3A	-145	-146	-147	-225	-148	-149	-150	-237	-151	-152	-153		-249	-154	-155	-156	-261	-157	-158	-159	-273	-160	-161	-162	-285			
PL80	4A	-163	-164	-165	-226	-166	-167	-168	-238	-169	-170	-171		-250	-172	-173	-174	-262	-175	-176	-177	-274	-178	-179	-180	-286			
PL380	4B	-181	-182	-183	-227	-184	-185	-186	-239	-187	-188	-189		-251	-190	-191	-192	-263	-193	-194	-195	-275	-196	-197	-198	-287			
PL803	4A	-199	-200	-201	-228	-202	-203	-204	-240	-205	-206	-207		-252	-208	-209	-210	-264	-211	-212	-213	-276	-214	-215	-216	-288			

INCH	MM
.005	0.13
.030	0.76
.120	3.05
.250	6.35
.6850	17.40
.6880	17.48
.690	17.53
.695	17.65
.755	19.18
.765	19.43
.770	19.56
.781	19.84
.827	21.00
.844	21.44
2.094	53.19
2.134	54.20
2.151	54.64
2.325	59.06
2.520	64.01

FIG 1A (P1)
-1 SHOWN
FIG 1B (P1)
-25 SHOWN

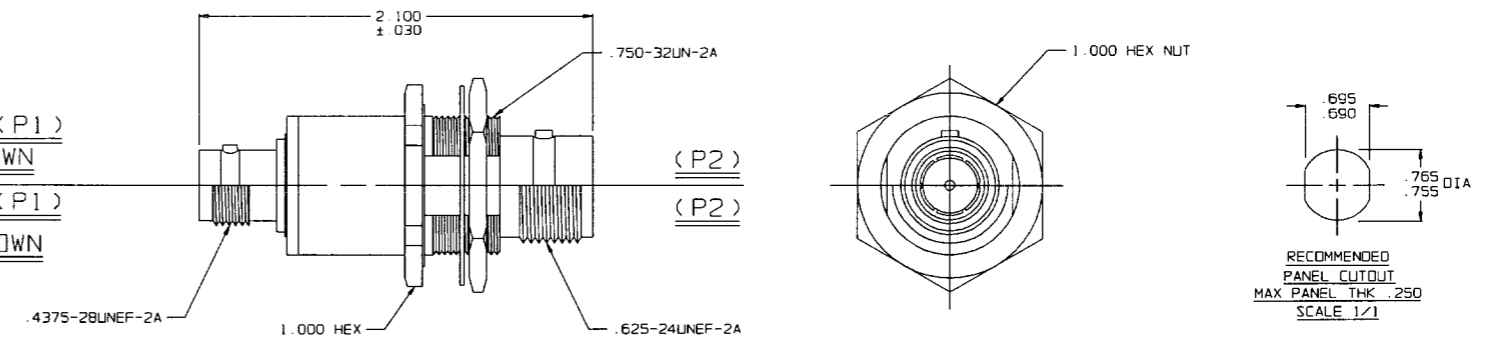


FIG 2A (P1)
-67 SHOWN
FIG 2B (P1)
-79 SHOWN

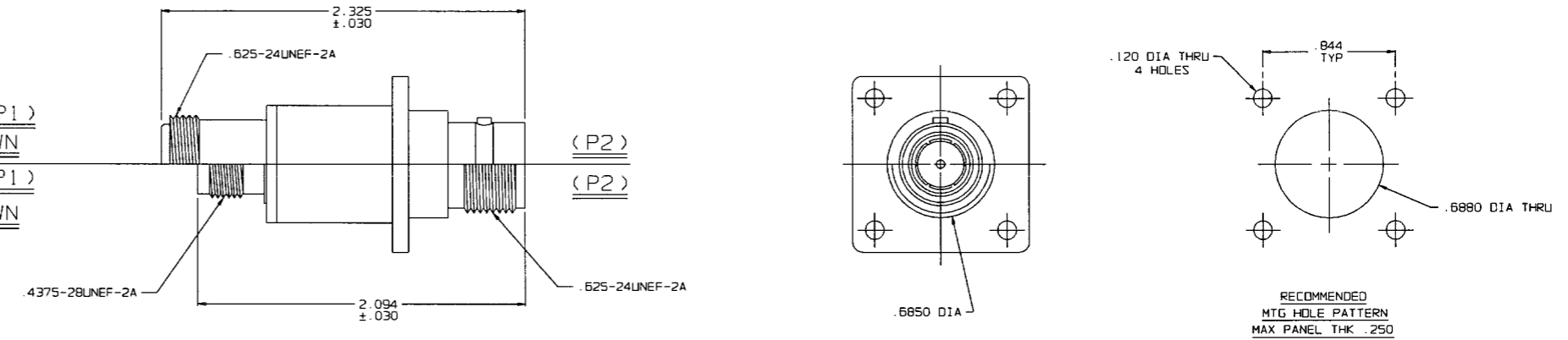
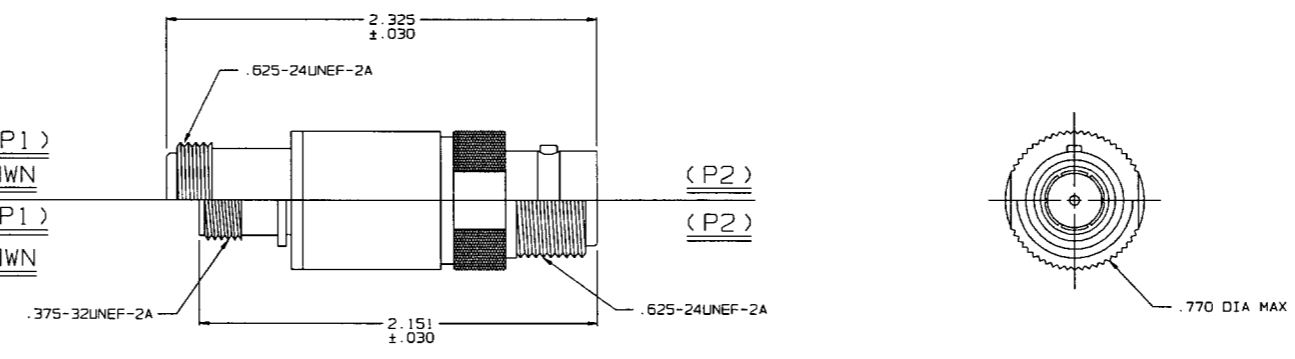


FIG 3A (P1)
-121 SHOWN
FIG 3B (P1)
-133 SHOWN



RED INDICATES ORIGINAL

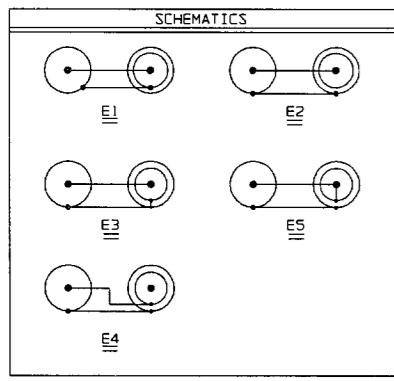
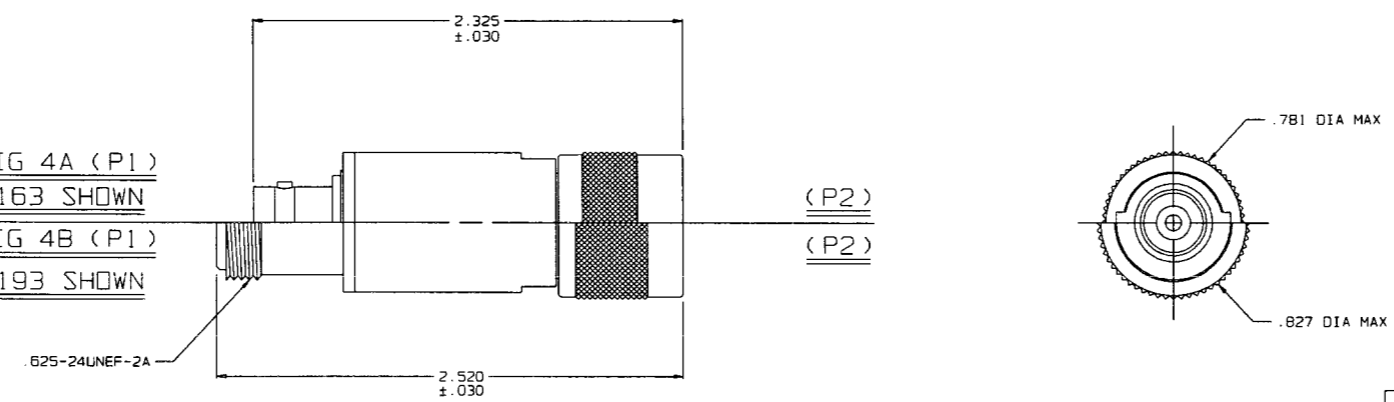


FIG 4A (P1)
-163 SHOWN
FIG 4B (P1)
-193 SHOWN



- EXAMPLE OF COMPLETE MODEL NO:
AD - BJ20 - E1 - BJ89
ADAPTER (P1) CONN TYPE (P2) CONN TYPE SCHEMATIC
- EXAMPLE OF COMPLETE PART NO:
12-14-1
BASIC PART NO DASH NO
- BETWEEN SERIES ADAPTER COMPLETE 80 SERIES TO 50 & 75 OHM BNC, TNC & N RECEPTACLES
- FINISH: TFS-1A (NICKEL)
- ALL DIM ARE IN INCHES

INTERPRET DRAWING PER MIL-STD-100 DIMENSIONS ARE IN INCHES AND INCLUDE FINISH THICKNESS UNLESS OTHERWISE SPECIFIED	TOL: UNLESS SPECIFIED :XX :XXX ± .005 :XXXX ANGLES	TROMPETER ELECTRONICS, INC.		
DRAWN PD 12/10/01 CHECKED 12/10/01 QUALITY 12/10/01 MANUFACTURE 12/13/01 APPROVED 12/12/01 CAD FILE NO. 12-14F1	MATERIAL: FINISH:		TITLE: ADAPTERS: U/BJ20/40/J95 TO COMPLETE 80 SERIES	
NEXT ASSY	SCALE 2/1	DO NOT SCALE DWG	SIZE A CAGE CODE 14949 DRAWING NO. 12-14 DATE: 2-03-87	REV. F SHEET 1C