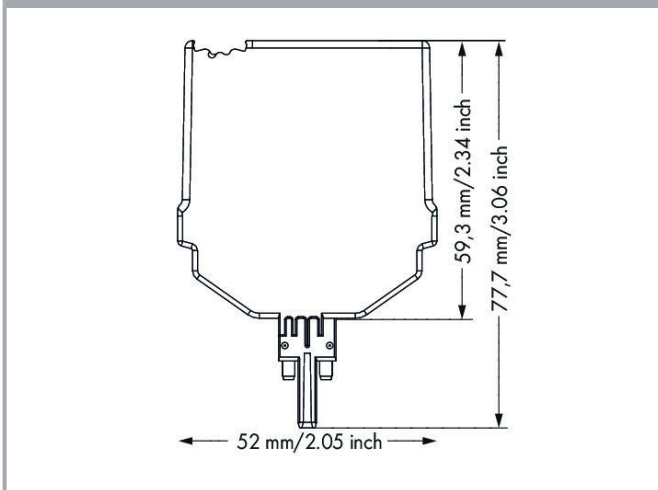
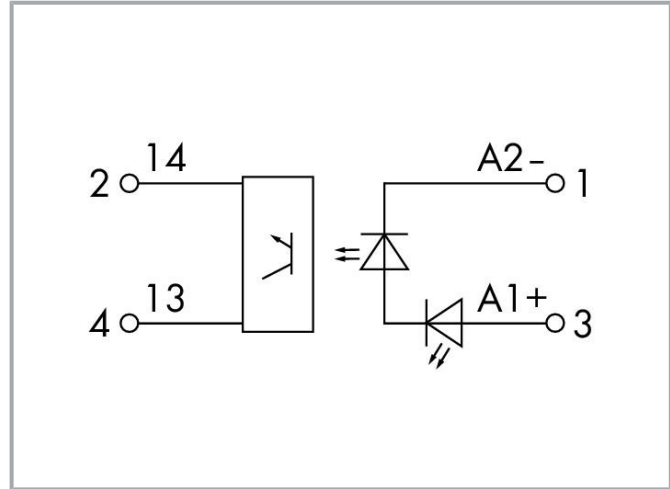


Data sheet | Item number: 2042-7504

Solid-state relay module; Nominal input voltage: 24 VDC; Limiting continuous current: 4 A; Module width: 10 mm



www.wago.com/2042-7504



**Data
Notes**

Note

Subject to changes. Please also observe the further product documentation!

WAGO Kontakttechnik GmbH & Co. KG
Hansastr. 27
32423 Minden
Phone: +49571 887-0 | Fax: +49571 887-169
Email: info.de@wago.com | Web: www.wago.com

Do you have any questions about our products?
We are always happy to take your call at +49 (571) 887-44222.



Optocouplers and solid state relays are designed for use in signal processing networks, which are not supplied by the low-voltage power supply networks.

Technical data

Control circuit

Nominal input voltage U_N	DC 24 V (SELV)
Input voltage range (low level)	DC 0 ... 6 V
Input voltage range (high level)	DC 10 ... 53 V
Nominal input current at U_N	3 mA
Input current range	3 ... 5 mA

Load circuit

Circuit type	2-wire connection
Limiting continuous current	4 A
Nominal output voltage	DC 48 V (SELV)
Output voltage range	DC 0 ... 53 V
Voltage drop at output (max.)	\leq DC 1 V
Switching current (min.)	20 μ A
Turn-on time	\leq 12 μ s
Turn-off time	\leq 32 μ s
Switching frequency	\leq 300 Hz

Signaling

Status indicator	Green LED
------------------	-----------

Safety and protection

Overvoltage category	II
Pollution degree	2
Dielectric strength, control/load circuit (AC, 1 min)	3 kVrms
Protection type	IP20

Subject to changes. Please also observe the further product documentation!

Physical data

Width	10.3 mm / 0.406 inch
Height	77.7 mm / 3.059 inch
Height from the surface	59.3 mm / 2.335 inch
Depth	52 mm / 2.047 inch

Mechanical data

Mounting type	Pluggable module for TOPJOB® S carrier terminal block
---------------	---

Material data

Flammability class per UL94	V0
Fire load	0.107 MJ
Weight	17.3 g

Environmental requirements

Surrounding air temperature (operation at U_N)	-40 ... 70 °C
Surrounding air temperature (storage)	-40 ... 85 °C
Processing temperature	-25 ... +50 °C
Operating altitude (max.)	2000 m

Standards and specifications

Standards/Specifications	EN 61010-2-201 EN 61373 EN 50121-3-2 EN 50121-4 EN 61000-6-2 EN 61000-6-3
--------------------------	--


Commercial data

PU (SPU)	1 Stück
Packaging type	bag
Country of origin	DE
GTIN	4055143751292
Customs tariff number	85365005000

Subject to changes. Please also observe the further product documentation!

Approvals / Certificates

UL-Approvals

Logo	Approval	Additional Approval Text	Certificate name
	UL Underwriters Laboratories Inc. (ORDINARY LOCATIONS)	UL 61010-1	E175199

Optional accessories

Marking accessories

Marking strip



Item no.: 2009-110

Marking strips; for Smart Printer; on reel; not stretchable; plain; snap-on type; white

www.wago.com/2009-110

Marker



Item no.: 2009-115

WMB-Inline; for Smart Printer; 1500 pieces on roll; stretchable 5 - 5.2 mm; plain; snap-on type; white

www.wago.com/2009-115



Item no.: 793-501

WMB marking card; as card; not stretchable; plain; snap-on type; white

www.wago.com/793-501



Item no.: 793-5501

WMB marking card; as card; for terminal block width 5 - 17.5 mm; stretchable 5 - 5.2 mm; plain; snap-on type; white

www.wago.com/793-5501

Terminal blocks

Carrier terminal block for modules and plugs



Item no.: 2002-1961

2-conductor carrier terminal block; with additional jumper position; for DIN-rail 35 x 15 and 35 x 7.5; 2.5 mm²; Push-in CAGE CLAMP®; 2,50 mm²; gray

www.wago.com/2002-1961



Item no.: 2002-1661

2-conductor carrier terminal block; for DIN-rail 35 x 15 and 35 x 7.5; 2.5 mm²; Push-in CAGE CLAMP®; 2,50 mm²; gray

www.wago.com/2002-1661



Item no.: 2002-1761

3-conductor carrier terminal block; for DIN-rail 35 x 15 and 35 x 7.5; 2.5 mm²; Push-in CAGE CLAMP®; 2,50 mm²; gray

www.wago.com/2002-1761



Item no.: 2002-1861

4-conductor carrier terminal block; for DIN-rail 35 x 15 and 35 x 7.5; 2.5 mm²; Push-in CAGE CLAMP®; 2,50 mm²; gray

www.wago.com/2002-1861

End plate

End plate

Item no.: 2002-1892

www.wago.com/2002-1892

Subject to changes. Please also observe the further product documentation!

WAGO Kontakttechnik GmbH & Co. KG

Hansastr. 27

32423 Minden

Phone: +49571 887-0 | Fax: +49571 887-169

Email: info.de@wago.com | Web: www.wago.com

Do you have any questions about our products?

We are always happy to take your call at +49 (571) 887-44222.



End and intermediate plate; 1 mm thick; orange

Item no.: 2002-1891

End and intermediate plate; 1 mm thick; gray

www.wago.com/2002-1891

Item no.: 2002-1991

End and intermediate plate; 1 mm thick; gray

www.wago.com/2002-1991

Item no.: 2002-1992

End and intermediate plate; 1 mm thick; orange

www.wago.com/2002-1992

Item no.: 2002-1691

End and intermediate plate; 1 mm thick; gray

www.wago.com/2002-1691

Item no.: 2002-1692

End and intermediate plate; 1 mm thick; orange

www.wago.com/2002-1692

Item no.: 2002-1791

End and intermediate plate; 1 mm thick; gray

www.wago.com/2002-1791

Item no.: 2002-1792

End and intermediate plate; 1 mm thick; orange

www.wago.com/2002-1792

Downloads

Documentation

Bid Text

2042-7504 docx - Datei	2019 Feb 20	docx 17.3 kB	Download
---------------------------	-------------	-----------------	----------

2042-7504 X81 - Datei	2019 Feb 19	xml 4.4 kB	Download
--------------------------	-------------	---------------	----------

Instruction Leaflet

Pluggable Relay Module / Pluggable Solid-State Relay Module	V 1.1.0	pdf 2.0 MB	Download
---	---------	---------------	----------

Additional Information

Disposal; Electrical and electronic equipment, Packaging	V 1.0.0	pdf 265.8 kB	Download
--	---------	-----------------	----------

Environmental Product Compliance

Compliance Search

Environmental Product Compliance 2042-7504	URL	Download
--	-----	----------

Subject to changes. Please also observe the further product documentation!

Data sheet | Item number: 2042-7504

www.wago.com/2042-7504



Solid-state relay module; Nominal input voltage: 24 VDC; Limiting continuous current:
4 A; Module width: 10 mm

Installation Notes

Subject to changes. Please also observe the further product documentation!

WAGO Kontakttechnik GmbH & Co. KG
Hansastr. 27
32423 Minden
Phone: +49571 887-0 | Fax: +49571 887-169
Email: info.de@wago.com | Web: www.wago.com

Do you have any questions about our products?
We are always happy to take your call at +49 (571) 887-44222.