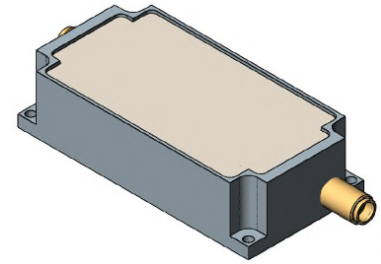


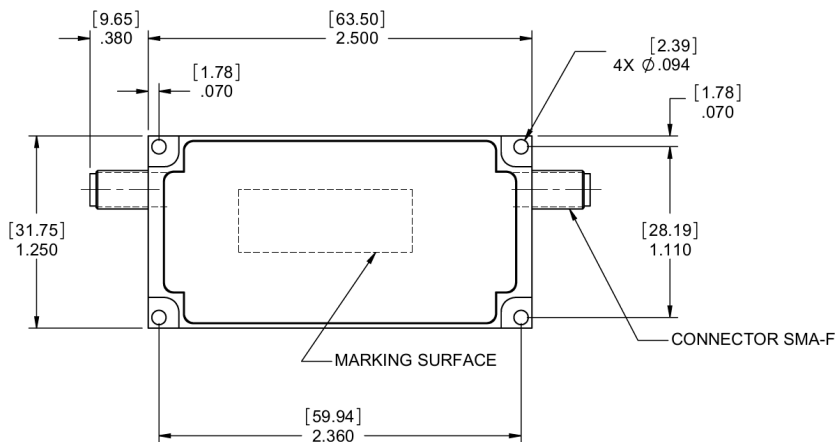
Ceramic Bandreject Filter

Features/Benefits

- Ceramic Filter
- SMA-Female Connectors
- Made in U.S.A.

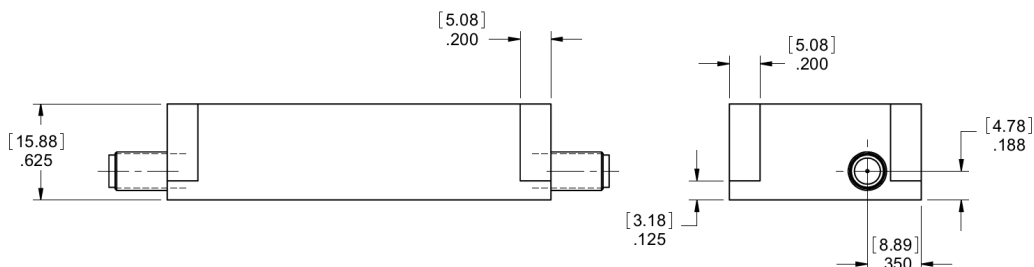


Parameter	Specification
Center Frequency (Fo)	1000 MHz
Passband	5.0 dBa max from 1 MHz to 993 MHz 5.0 dBa max from 1007 MHz to 2000 MHz
Return Loss	15 dB from 1 MHz to 993 MHz 15 dB from 1007 MHz to 2000 MHz
Rejection	-45 dBc min from 999.5 MHz to 1000.5 MHz
Package Outline	IMC Document Number 620886
Temperature, Operating	-20°C to +70°C
Temperature, Storage	-55°C to +125°C
Temperature, Soldering	+215°C MAX (use convective reflow)
Mechanical Dimensions	2.500 x 1.250 x 0.625 inches [63.50 x 31.75 x 15.88 mm] (L X W X H)

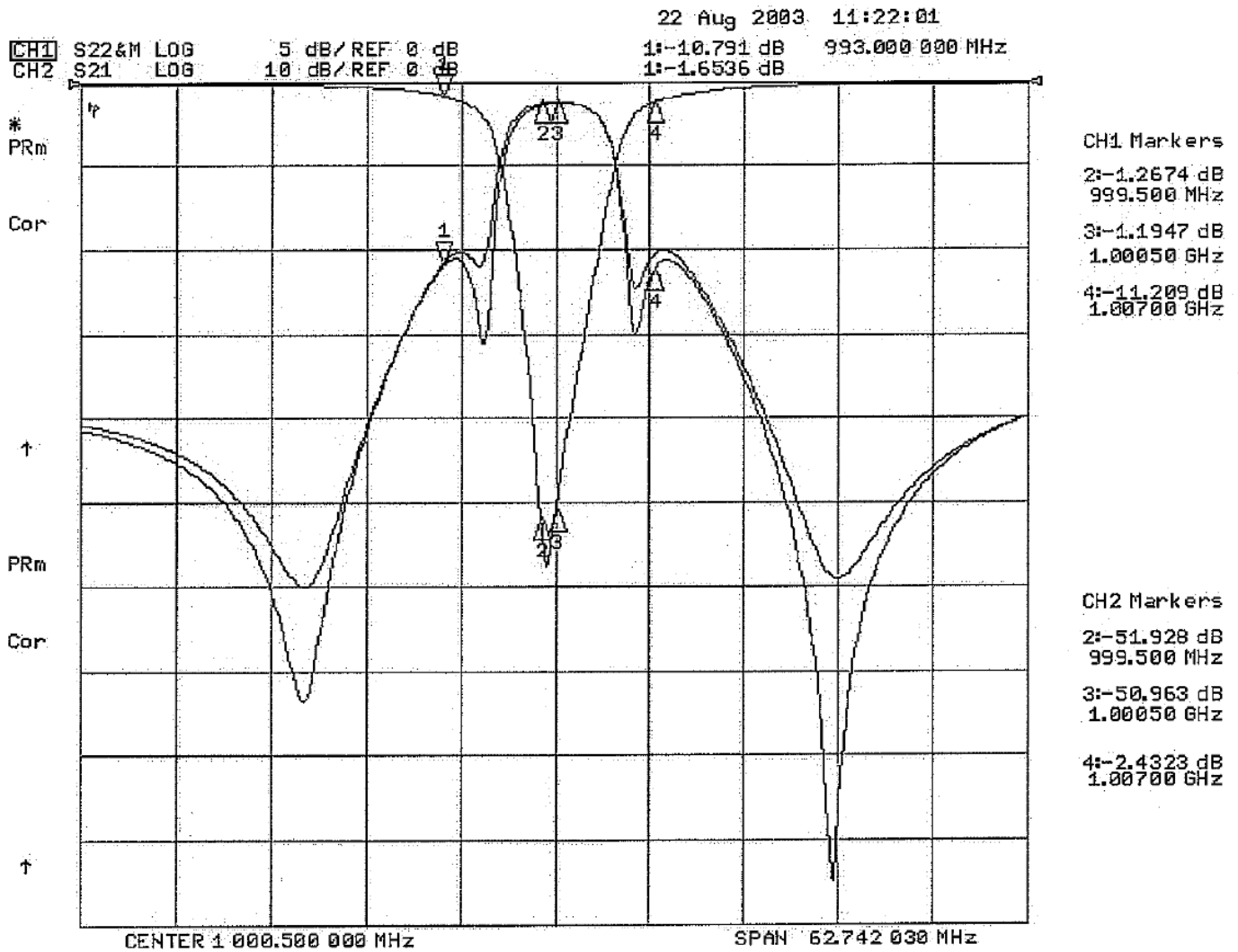
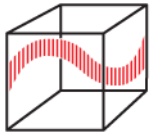


UNLESS OTHERWISE SPECIFIED
DIMENSIONS ARE IN INCHES.
TOLERANCES ARE:

INCHES	MILLIMETERS
.XX ± .02	[X.X] ± .5
.XXX ± .010	[X.XX] ± .25
.XXXX ± .0020	[X.XXX] ± .051



This document contains IMC proprietary information and is to be used only for the purposes for which it has been supplied and is not to be duplicated or disclosed in whole or in part without written permission from a duly authorized representative of IMC.



This document contains IMC proprietary information and is to be used only for the purposes for which it has been supplied and is not to be duplicated or disclosed in whole or in part without written permission from a duly authorized representative of IMC.