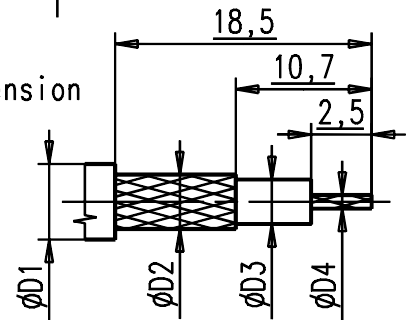
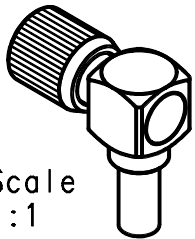


Steckbereich nach IEC 169-13
Mating area acc.to IEC 169-13

Kabelzuschnitt
Stripping dimension



Part	Material	Finish
centre contact	BRASS	Au
Outer contact	CuBe	Au
Insulator	PTFE/PEEK	
Rest	BRASS	Optalloy/Ni



Scale
1:1

Verpackung / packaging: 1010221
Stückzahl / quantity: 25

Gr.	Typ	ØD1 max.	ØD2 max.	ØD3 max.	ØD4 max.	ØD5	ØD6	ØD7	ØD8	Cr imp out	in
a	Filotex 0,25 RG 179 ; RG 187	2.60	1.90	1.45	0.26	1.70	2.30	2.92	3.42	2.95	solder
b	TZC 750 24	3.70	2.85	2.05	0.31	2.10	3.85	4.70	5.30	4.52	solder
c	ST 212	3.10	2.60	1.90	0.40	2.10	2.95	3.70	4.50	3.65	solder
d	Filotex 0,4 Flex 3/75	4.22	3.40	2.38	0.41	2.56	3.37	4.48	5.52	4.60	solder
e	TR-SP.127	3.80	3.10	2.35	0.51	2.55	4.38	5.30	6.30	5.41	solder
f	ST 214	6.00	4.70	3.80	0.80	4.00	5.60	6.70	7.70	6.50	solder
g	Flex 5/75	4.80	3.90	2.90	7x0.19	2.95	4.38	5.30	6.30	5.41	solder
h	2YCCY 0.4/2.5	4.60	3.70	2.52	0.40	2.95	4.38	5.30	6.30	5.41	solder
i	BT 2003	6.90	4.95	3.70	0.61	4.00	5.60	7.05	8.30	7.01	solder
j	Filotex 287786	4.70	3.50	2.85	0.60	2.95	4.38	5.10	6.30	5.41	solder

IMS CONNECTOR
SYSTEMS

general tolerance
ISO 2768
mH

scale: 2:1

Assembly instruction:
Stripping dimension: M 123 K2

nr.	rev.	alteration	date	name
704/00	f	Kabelgruppe neu	19.10.00	Glatz
503/00	e	Kabelgruppe neu	20.07.00	Glatz
ENTWURF	d	Neu Ueberarbeitet	07.07.99	Glatz
ENTWURF	c	Neu Ueberarbeitet	15.06.99	Glatz
ENTWURF	b	Neu Ueberarbeitet	21.05.99	RSc
ENTWURF	a	Neu Ueberarbeitet	16.04.99	Glatz



Kabelwinkelstecker

2710.52.1420.0''

Rev.
f



Page content

Markets Products Company

Online catalog

[Back to product finder](#)

For further information, please [click here](#)

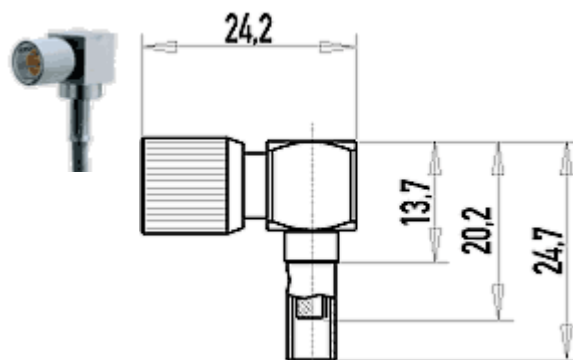
Products

- RF-Cable assembly creator
- RF-Coaxial connectors**
- General informations
- Family specifications
- Online catalog**
- Assembly instructions
- Components for mobile devices

[Previous](#)

1.6/5.6 - Cable mount angle plug (m) 75 ohm

[Next](#)



Part Number 2710.52.1420.0A5

Cable type RG 187
RD 179
Filotex® 0.25

Plating 5 = White bronze

Cable termination Solder Crimp version

Assembly instruction [M123/K2](#)

Drawing [Download PDF](#)

- [RF product finder](#)
- [Sales contact](#)



Qty. Shipping date

[Add to quote request form](#)

Product style (1 found)

Ohm Part Number

1.6/5.6

[Cable mount angle plug](#)

75 [2710.52.1420.0A5](#)

● available ex stock





Page content

Markets Products Company

Online catalog

[Back to product finder](#)

For further information, please [click here](#)

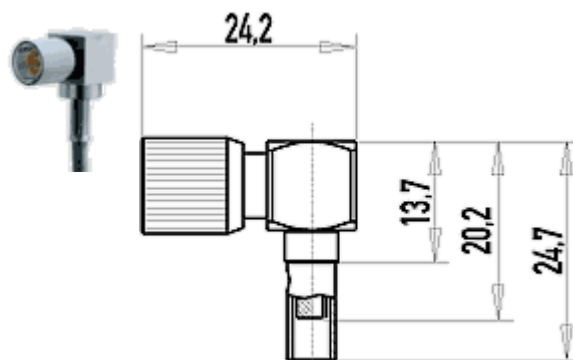
Products

- RF-Cable assembly creator
- RF-Coaxial connectors**
- General informations
- Family specifications
- Online catalog**
- Assembly instructions
- Components for mobile devices

[Previous](#)

1.6/5.6 - Cable mount angle plug (m) 75 ohm

[Next](#)



Part Number 2710.52.1420.0B5

Cable type TZC 750 24

Plating 5 = White bronze

Cable termination Solder Crimp version

Assembly instruction [M123/K2](#)

Drawing [Download PDF](#)

Qty. Shipping date

[Add to quote request form](#)

Product style (1 found)

Ohm Part Number

1.6/5.6

[Cable mount angle plug](#)

75

[2710.52.1420.0B5](#)

● available ex stock

- [RF product finder](#)
- [Sales contact](#)







Page content

Markets Products Company

Online catalog

[Back to product finder](#)

For further information, please [click here](#)

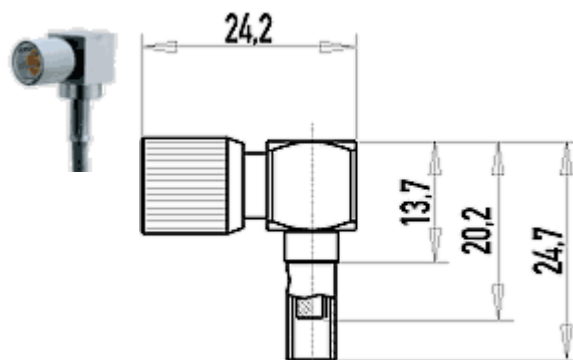
Products

- RF-Cable assembly creator
- RF-Coaxial connectors**
- General informations
- Family specifications
- Online catalog**
- Assembly instructions
- Components for mobile devices

[Previous](#)

1.6/5.6 - Cable mount angle plug (m) 75 ohm

[Next](#)



Part Number 2710.52.1420.0C5

Cable type ST 212

Plating 5 = White bronze

Cable termination Solder Crimp version

Assembly instruction [M123/K2](#)

Drawing [Download PDF](#)

Qty. Shipping date

[Add to quote request form](#)

Product style (1 found)

Ohm Part Number

1.6/5.6

[Cable mount angle plug](#)

75

[2710.52.1420.0C5](#)

● available ex stock

- [RF product finder](#)
- [Sales contact](#)



SnapN RF coaxial connec



RoHS compliance at IMS Connector System





Page content

Markets Products Company

Online catalog

[Back to product finder](#)

For further information, please [click here](#)

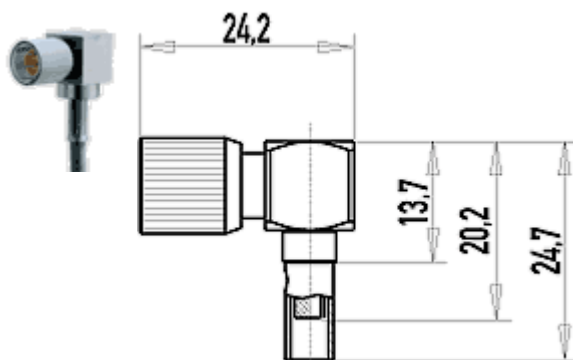
Products

- RF-Cable assembly creator
- RF-Coaxial connectors**
- General informations
- Family specifications
- Online catalog**
- Assembly instructions
- Components for mobile devices

[Previous](#)

1.6/5.6 - Cable mount angle plug (m) 75 ohm

[Next](#)



Part Number 2710.52.1420.0D5

Cable type Filotex® 0.4
Flex 3/75

Plating 5 = White bronze

Cable termination Solder Crimp version

Assembly instruction [M123/K2](#)

Drawing [Download PDF](#)

- [RF product finder](#)
- [Sales contact](#)



Qty. Shipping date

[Add to quote request form](#)

Product style (1 found)

Ohm Part Number

1.6/5.6

[Cable mount angle plug](#)

75

[2710.52.1420.0D5](#)

● available ex stock





Page content

Markets Products Company

Online catalog

[Back to product finder](#)

For further information, please [click here](#)

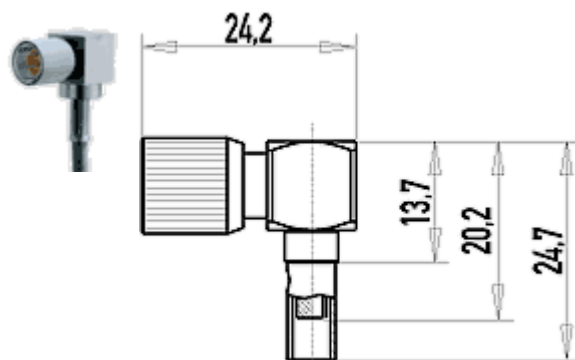
Products

- RF-Cable assembly creator
- RF-Coaxial connectors**
- General informations
- Family specifications
- Online catalog**
- Assembly instructions
- Components for mobile devices

[Previous](#)

1.6/5.6 - Cable mount angle plug (m) 75 ohm

[Next](#)



Part Number 2710.52.1420.0E5

Cable type TR-SP.127

Plating 5 = White bronze

Cable termination Solder Crimp version

Assembly instruction [M123/K2](#)

Drawing [Download PDF](#)

Qty. Shipping date

[Add to quote request form](#)

Product style (1 found)

Ohm Part Number

1.6/5.6

[Cable mount angle plug](#)

75 2710.52.1420.0E5

● available ex stock

- [RF product finder](#)
- [Sales contact](#)







Page content

Markets Products Company

Online catalog

[Back to product finder](#)

For further information, please [click here](#)

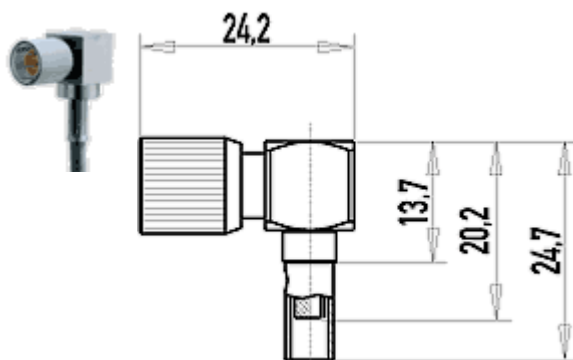
Products

- RF-Cable assembly creator
- RF-Coaxial connectors**
- General informations
- Family specifications
- Online catalog**
- Assembly instructions
- Components for mobile devices

[Previous](#)

1.6/5.6 - Cable mount angle plug (m) 75 ohm

[Next](#)



Part Number 2710.52.1420.0F5

Cable type ST 214

Plating 5 = White bronze

Cable termination Solder Crimp version

Assembly instruction [M123/K2](#)

Drawing [Download PDF](#)

Qty.

Shipping date

[Add to quote request form](#)

Product style (1 found)

Ohm Part Number

1.6/5.6

[Cable mount angle plug](#)

75

[2710.52.1420.0F5](#)

● available ex stock

- [RF product finder](#)
- [Sales contact](#)







Page content

Markets Products Company

Online catalog

[Back to product finder](#)

For further information, please [click here](#)

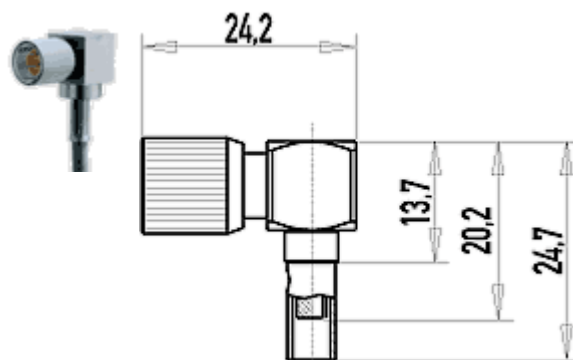
Products

- RF-Cable assembly creator
- RF-Coaxial connectors**
- General informations
- Family specifications
- Online catalog**
- Assembly instructions
- Components for mobile devices

[Previous](#)

1.6/5.6 - Cable mount angle plug (m) 75 ohm

[Next](#)



Part Number 2710.52.1420.0G5

Cable type Flex 5/75

Plating 5 = White bronze

Cable termination Solder Crimp version

Assembly instruction [M123/K2](#)

Drawing [Download PDF](#)

Qty.

Shipping date

[Add to quote request form](#)

Product style (1 found)

Ohm Part Number

1.6/5.6

[Cable mount angle plug](#)

75

[2710.52.1420.0G5](#)

● available ex stock

- [RF product finder](#)
- [Sales contact](#)



