



- 40 Pin SMD Line Interface Filter Module
- Cw/w: 35PF Max 100KHz, 0.1V
- LL: 0.8μH Max @ 100KHz, 0.1V
- Operating Temp: 0°C to 70°C
- Telecom, WAN Applications

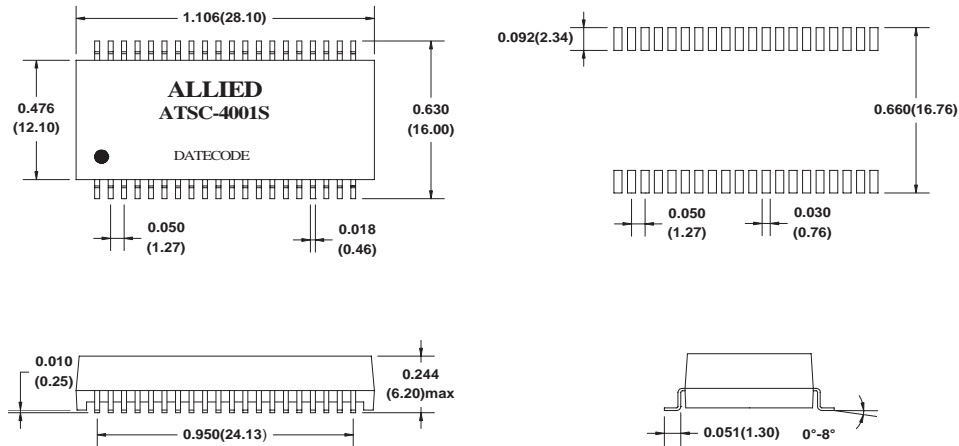


Electrical Specifications @ 25°C

Part Number	OCL(mH Min) @ 10KHz, 0.1V	Turns Ratio chip: cable (±2%)	Isolation HI-POT (Vrms)
	With 8mA DC Bias		
ATSC-4001S	1.2	1CT:2CT	1500

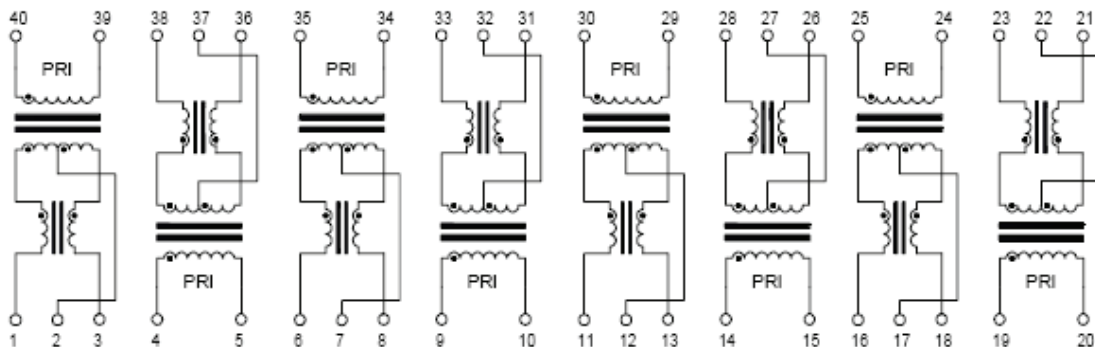
All specifications subject to change without notice.

MECHANICAL



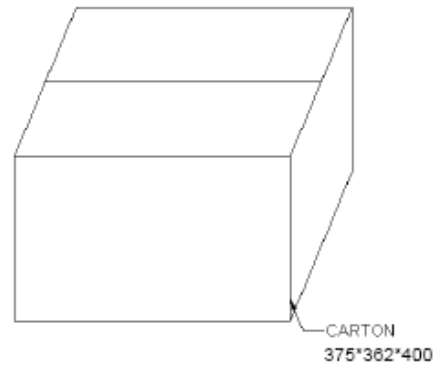
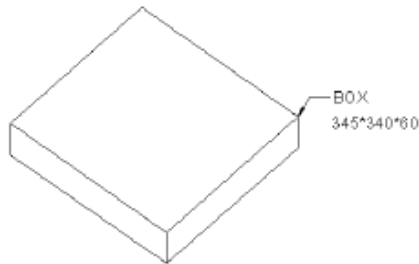
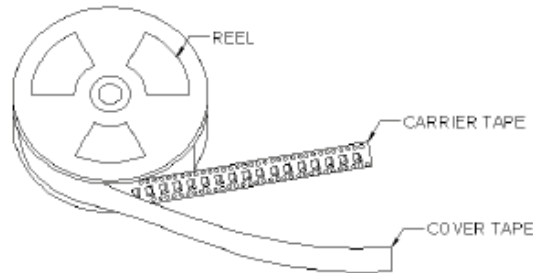
Dimensions: inch/ mm
Unless otherwise specified, all tolerances are ± 0.010/ 0.25

SCHEMATICS





Packaging Specifications



3.0g/pcs
5.3kg
7.7kg

350pcs/Reel
350pcs/Box
1750pcs/CARTON

