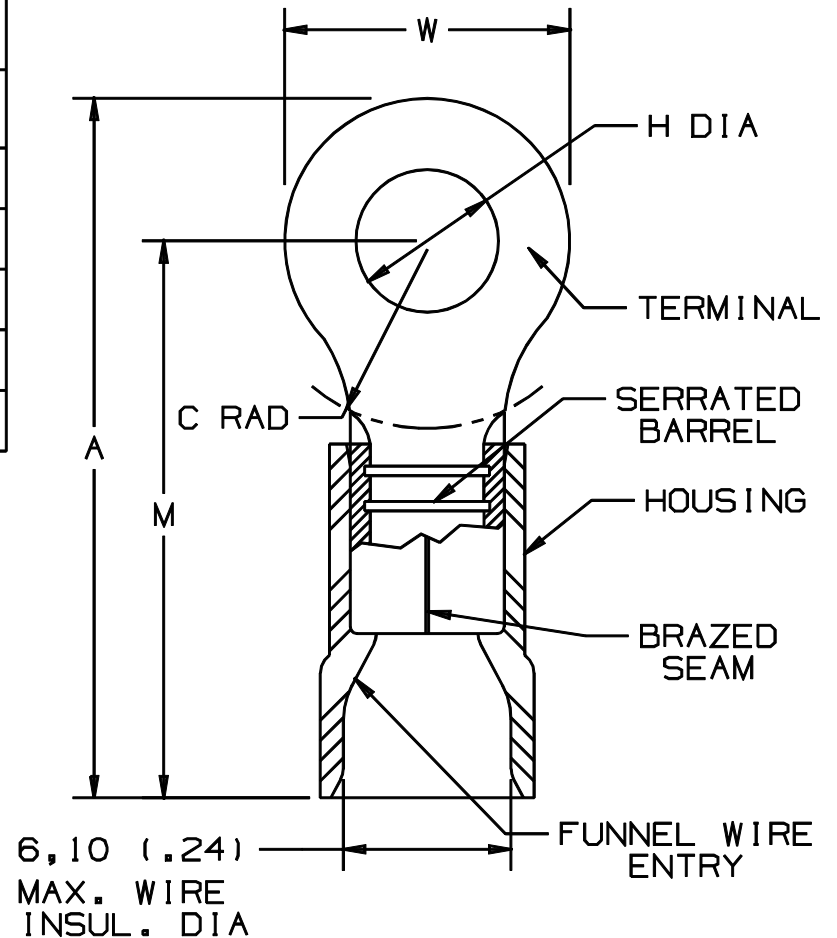


THIS COPY IS PROVIDED ON A RESTRICTED BASIS AND IS NOT TO BE USED IN ANY WAY DETRIMENTAL TO THE INTERESTS OF PANDUIT CORP.

PANDUIT PART #		STUD SIZE	DIMENSIONS mm				
PREFIX	PK		A ±0,51	W ±0,25	C ±0,38	M ±0,51	H ±0,25
PMV6-3R	-L -D	M3	26,06 (1.02)	5,84 (.23)	7,87 (.31)	22,61 (.89)	3,30 (.13)
PMV6-4R	-L -D	M4	26,50 (1.04)	7,87 (.31)	7,87 (.31)	22,61 (.89)	4,57 (.18)
PMV6-5R	-L -D	M5	27,10 (1.07)	9,50 (.37)	7,87 (.31)	22,61 (.89)	5,33 (.21)
PMV6-6R	-L -D	M6	30,30 (1.19)	10,91 (.43)	9,65 (.38)	24,64 (.97)	6,86 (.27)
PMV6-8R	-L -D	M8	31,38 (1.24)	13,18 (.52)	9,65 (.38)	24,64 (.97)	8,64 (.34)

NOTES :

- USED FOR :
 - 600 V MAX. VOLTAGE RATING
 - 105°C (221°F) MAX. TEMP. RATING
 - 2,5-6,0mm², (#12-10 AWG), STRANDED COPPER WIRE (4,0-6,0mm² WITH CT-1551M)
- MATERIAL :
 - STAMPING - 1,02mm (.04) THK COPPER, TIN PLATED
 - HOUSING - YELLOW VINYL
- DIMENSIONS IN BRACKETS ARE IN INCHES
- PACKAGE QTY:
 - STD: L=50
 - BULK: D=500
- WIRE STRIP LENGTH: $7,9^{+,8}_{-0}$ ($5/16^{+1/32}_{-0}$)
- INSTALLATION TOOLS: REF. DWGS. A41522, A41523, A41524, A41525



A41422_03

03	10/97	JAMB		CHANGED PERIODS TO COMMAS ON ALL METRIC DIMENSIONS.				<p>PANDUIT CORP. TINLEY PARK, ILLINOIS</p> <p>2PC. VINYL INSULATED METRIC RINGS 2,5-6,0mm² BARREL</p>
02	2/97	JKD	SKB	REMOVED B FROM PART NUMBER, BRAZED SEAM WAS BUTTED, ADDED CT-1551M TO NOTE	05699	DBH	LA	
01	1/97	TM	RLS	UPDATE DIMENSIONS FILESPEC WAS NPC_A41422-00	05478	DBH	LA	
00	10/91	BK	RLS	RELEASED	00687	KRS	LA	
REV	DATE	BY	CHK	DESCRIPTION	ECN #	PM	CUST	DRAWN BY: BDK Ck'D: LA SCALE: NONE DRAWING NO.: A41422