

C X O - 1 9 9

[MODEL]

CXO-199 : Sin wave crystal oscillator

[FEATURES]

- Wide frequency range.

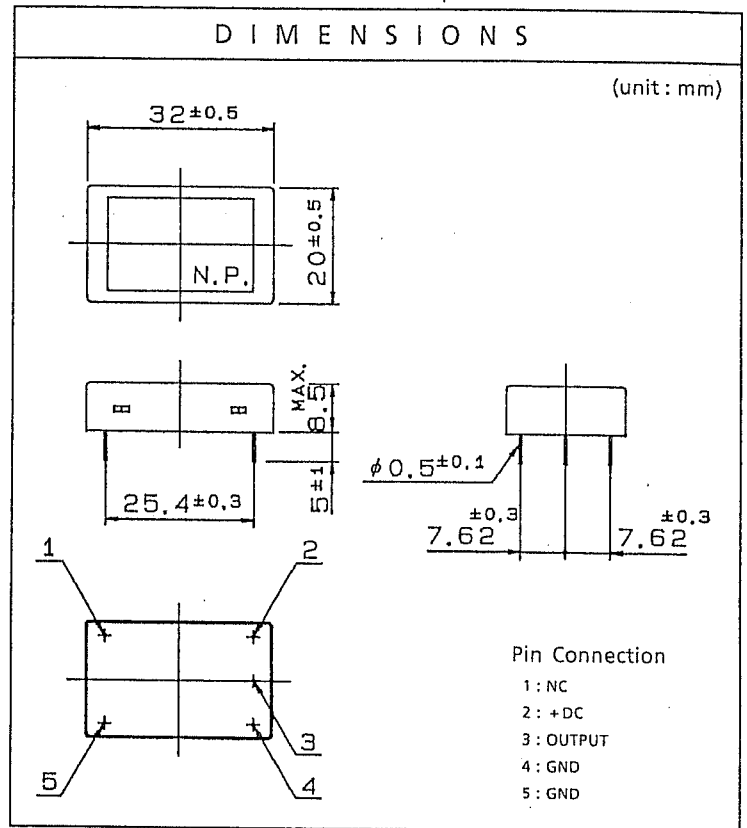
[TYPICAL APPLICATIONS]

- CLOCK oscillator for ISDN
- H.D. camera

[STANDARD FREQUENCIES]

- 51.84MHz , 155.52MHz
- 74.25MHz , 148.5MHz

* Please do not clean using any kind of liquid cleansing method.



[SPECIFICATIONS]

MODEL		CXO - 199
Frequency range		30 MHz to 160 MHz
Storage temperature range		-20°C to +80°C
Operating temperature range		-10°C to +70°C
Frequency temperature characteristics		$\pm 20 \times 10^{-6} \text{ max.} / -10^\circ\text{C to } +70^\circ\text{C}$
Frequency aging		$\pm 3 \times 10^{-6} \text{ max.} / \text{year}$
Supply voltage change		$\pm 3 \times 10^{-6} \text{ max.} / +5.0\text{V} \pm 5\%$
Power supply	Voltage	+5.0V $\pm 5\%$
	Current	40 mA max.
Output	Level	0dBm min.
	Load	50 Ω
	Harmonics / subharmonics	-30dB max.

- ※ If specifications does not meet your requirements. We will design a unit to your requirements.
- ※ All specifications and details published are subject to change without notice.