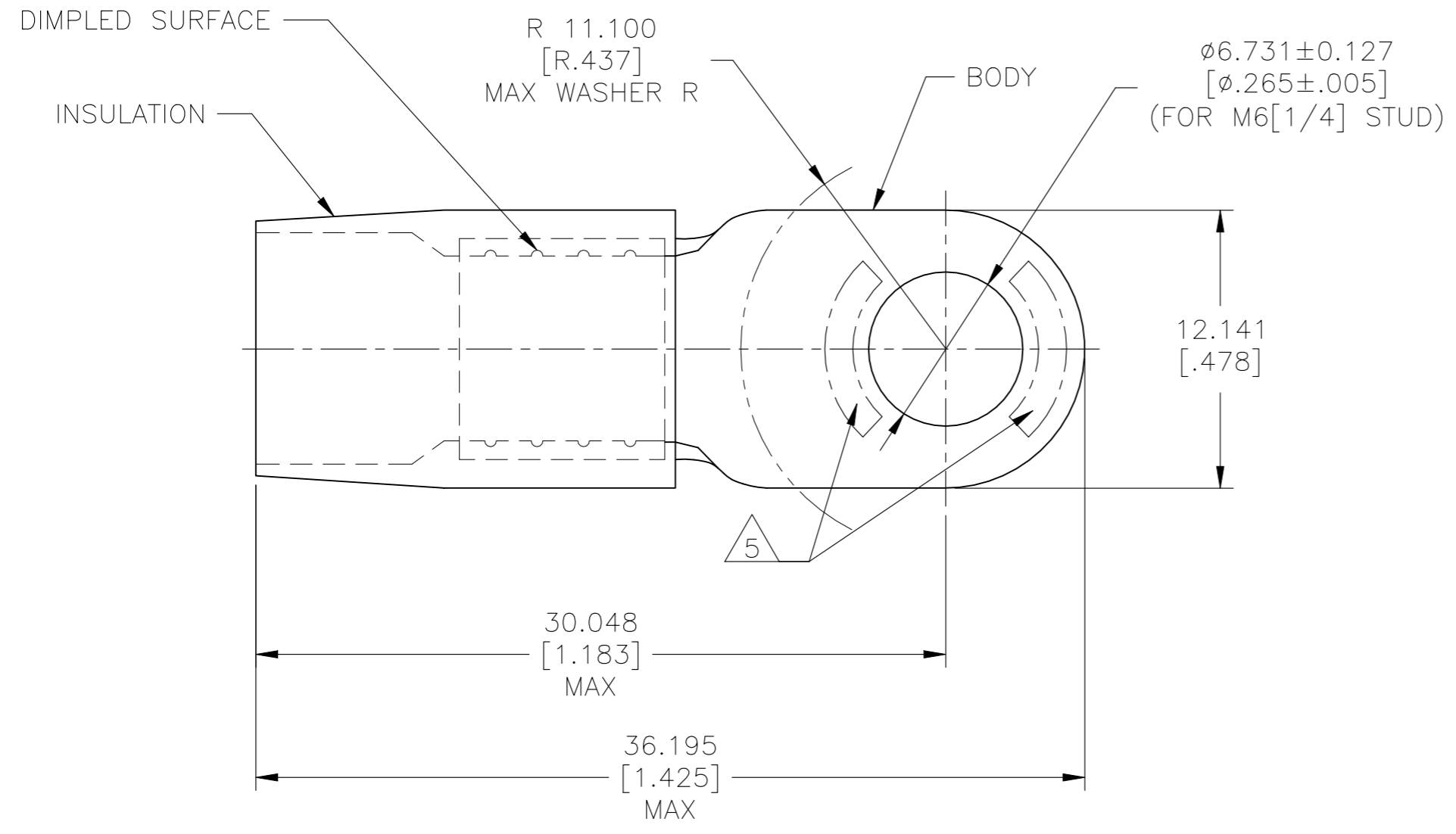


© - TE Connectivity. All Rights Reserved.

REVISIONS				
P	LTR	DESCRIPTION	DATE	APVD
	F4	REVISED PER ECN-22-150900	28APR2022	RK CSD

<b>AMP</b> WIRE RANGE
8 AWG STRANDED



- 1 BODY MATERIAL THK 0.991±0.051 [.039±.002]
- 2 FOR Ø6.502[Ø.256] MAX WIRE INSULATION.
- 3 BODY - COPPER PER ASTM B-152  
INSULATION - NYLON, ASTM D4066 TYPE 1
- 4 BODY - TIN PLATE PER ASTM B-545  
INSULATION - COLOR-RED
- 5 STAMP AMP 8\* 14 APPROX AS SHOWN.

100	LOOSE PC	324082
QTY	PACKAGE TYPE	PART NO

MAX RECOMMENDED OPERATING TEMPERATURE: 105°C [221°F]	THIS DRAWING IS A CONTROLLED DOCUMENT.		DWN JR RUTH 6-21-93	<b>STE</b> TE Connectivity	
	VOLTAGE RATING: N/A	DIMENSIONS: mm [INCHES]	TOLERANCES UNLESS OTHERWISE SPECIFIED:		CHK R. HERSEY 6-21-93
CIRCULAR MIL AREA: 6.64-10.5mm <sup>2</sup> [13,100-20,800] STRANDED	MATERIAL 3	FINISH 4	APVD M ELLIS 6-21-93		NAME TERMINAL, RING TONGUE, TERMINYL WIRE SIZE: 8 AWG
			PRODUCT SPEC -		
			APPLICATION SPEC -	SIZE A3	
			WEIGHT -	CAGE CODE 00779	
			CUSTOMER DRAWING	DRAWING NO C-324082	
			SCALE 4:1	RESTRICTED TO -	
			SHEET 1 OF 1	REV F4	

# Mouser Electronics

Authorized Distributor

Click to View Pricing, Inventory, Delivery & Lifecycle Information:

[TE Connectivity:](#)

[MS25036-116](#)