

STL975/..G-5.0-V-GREEN



Technical Data

Wire Sizes		Insulating Material	
Solid min	-	Material	PA 6.6
solid max	-	Flammability Class	UL 94 V-0
Stranded (flexible)		Temperatures	
min	-	Operating Temperature	-30 °C - 105 °C
Stranded (flexible)		Wave Soldering Process	
min	-	Soldering Temperature, recommended	265 °C
Stranded with Ferrule		Peak Soldering Time, recommended	3-4 s
min	-	Reflow Process	
Stranded with Ferrule		Soldering Temperature, recommended	-
max	-	Peak Soldering Time, recommended	-
Dimensions			
Stripped Length			
PCB Hole Diameter	1.4 mm		
Materials			
Contact Pin	Copper Alloy		

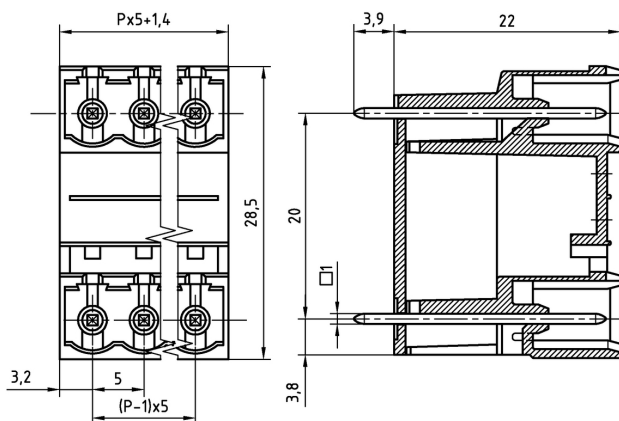
Colours

GREEN	RAL6018	
LIGHT GREEN	similar RAL 6018	

Colours according to RAL, there may be variations on colour due to production conditions.
Special colours on request.

Counterparts (Spacing 5.0 mm)

Pin Strip/Terminal Blocks				
AK950	AK4951	AK955	AK1110	AK1100



Order Data (Spacing 5.0 mm)

Poles	Width (mm)	Article Designation	Article Number	PU
2	11.40	STL975/2G-5.0-V-GREEN	50975025101D	50
3	16.40	STL975/3G-5.0-V-GREEN	50975035101D	50
4	21.40	STL975/4G-5.0-V-GREEN	50975045101D	50
5	26.40	STL975/5G-5.0-V-GREEN	50975055101D	50
6	31.40	STL975/6G-5.0-V-GREEN	50975065101D	50
7	36.40	STL975/7G-5.0-V-GREEN	50975075101D	50
8	41.40	STL975/8G-5.0-V-GREEN	50975085101D	50
9	46.40	STL975/9G-5.0-V-GREEN	50975095101D	50
10	51.40	STL975/10G-5.0-V-GREEN	50975105101D	50
11	56.40	STL975/11G-5.0-V-GREEN	50975115101D	50
12	61.40	STL975/12G-5.0-V-GREEN	50975125101D	50
13	66.40	STL975/13G-5.0-V-GREEN	50975135101D	50
14	71.40	STL975/14G-5.0-V-GREEN	50975145101D	50
15	76.40	STL975/15G-5.0-V-GREEN	50975155101D	50
16	81.40	STL975/16G-5.0-V-GREEN	50975165101D	50
17	86.40	STL975/17G-5.0-V-GREEN	50975175101D	50
18	91.40	STL975/18G-5.0-V-GREEN	50975185101D	50
19	96.40	STL975/19G-5.0-V-GREEN	50975195101D	50
20	101.40	STL975/20G-5.0-V-GREEN	50975205101D	50
21	106.40	STL975/21G-5.0-V-GREEN	50975215101D	50
22	111.40	STL975/22G-5.0-V-GREEN	50975225101D	50
23	116.40	STL975/23G-5.0-V-GREEN	50975235101D	50
24	121.40	STL975/24G-5.0-V-GREEN	50975245101D	50

Accessories

Figure	Designation	Article Number
	Coding star CS2-5.0/5.08-RED	50000000024
	Dividing element SE-STL950-GREEN	50950000002

Ratings



Usegroup	B	C	D	
Rated Voltage	300 V	150 V	300 V	250 V
Rated Current	15 A	15 A	10 A	12 A
Overtoltage Category				III
Test Voltage	1.6 kV	1.6 kV	1.6 kV	4.0 kV
Pollution Degree				3