

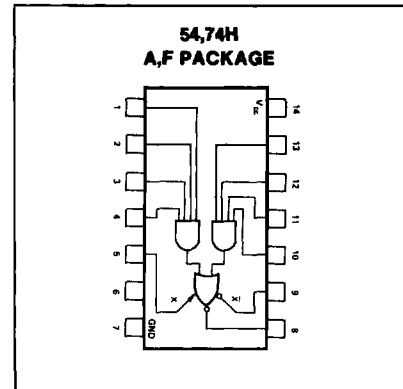
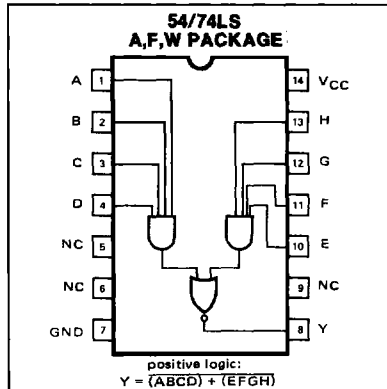
# 2-WIDE 4-INPUT AND-OR-INVERT GATE

54/74LS

## SPEED/PACKAGE AVAILABILITY

54H F,W      74H A,F  
54LS F,W     74LS A,F

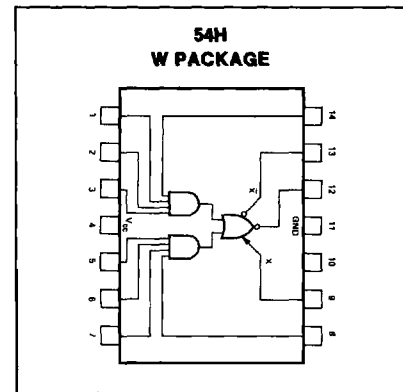
## PIN CONFIGURATION



## SWITCHING CHARACTERISTICS $V_{CC} = 5V, T_A = 25^\circ C$

TEST CONDITIONS	54/74H			54/74LS			UNIT
	MIN	TYP	MAX	MIN	TYP	MAX	
Propagation delay time $t_{PLH}$ Low-to-high		7	11		12	20	ns
		$C_X = 15pF$ 11.4					
$t_{PHL}$ High-to-low		6.5	11		11.5	20	ns
		$C_X = 15pF$ 7.7					

Load circuit and typical waveforms are shown at the front of section.



91901

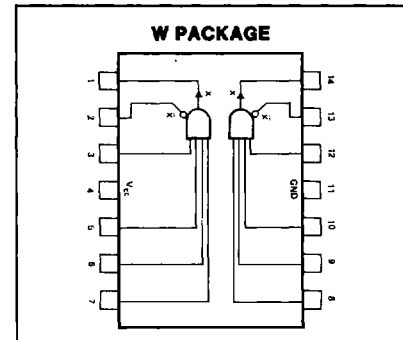
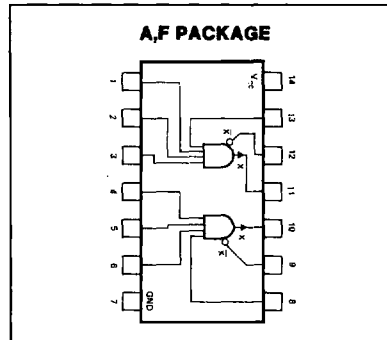
# DUAL 4-INPUT EXPANDER

54/7400

## SPEED/PACKAGE AVAILABILITY

54 F,W      74 A,F  
54H F,W     74H A,F

## PIN CONFIGURATION



SWITCHING CHARACTERISTICS  $V_{CC} = 5V, T_A = 25^\circ C$

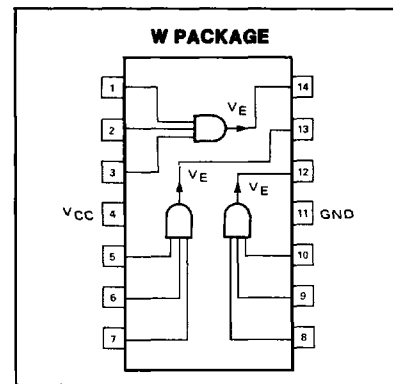
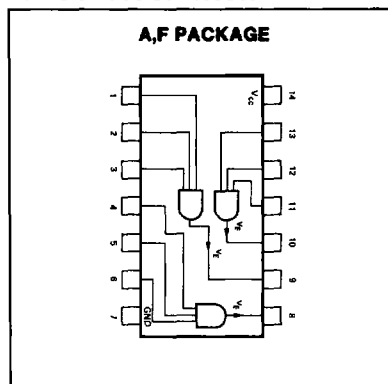
TEST CONDITIONS			54/74			54/74H			UNIT
			MIN	TYP	MAX	MIN	TYP	MAX	
PROPAGATION DELAY TIME	FROM INPUT	TO OUTPUT	$C_L = 15pF$ $R_L = 400\Omega$						
$t_{PLH}$	Low-to-high	through 54/7450, 54/7453		15	30		N/A	ns	
$t_{PHL}$	High-to-low			10	20		N/A	ns	

Load circuit and typical waveforms are shown at the front of section.

(FOR USE WITH 54/74H52)

**SPEED/PACKAGE AVAILABILITY**  
54H F,W      74H A,F

**PIN CONFIGURATION**



(FOR USE WITH 54/74H50, 54/74H53, 54/74H55)

**SPEED/PACKAGE AVAILABILITY**  
54H F,W      74H A,F

**PIN CONFIGURATION**

